

Data sheet

OpDAT KR 55 cable reservoir 55 mm

Page 1/4

P/N

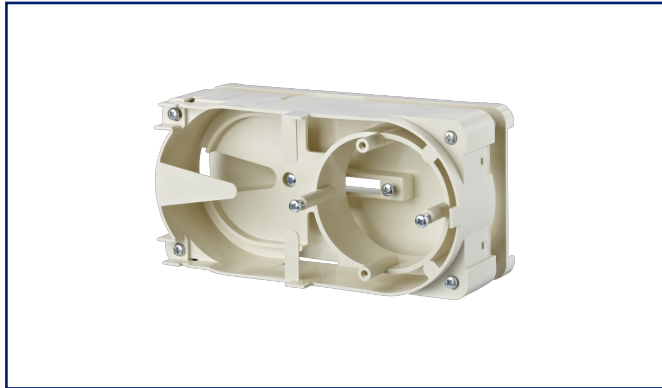
150800551-E

EAN 4250184109150

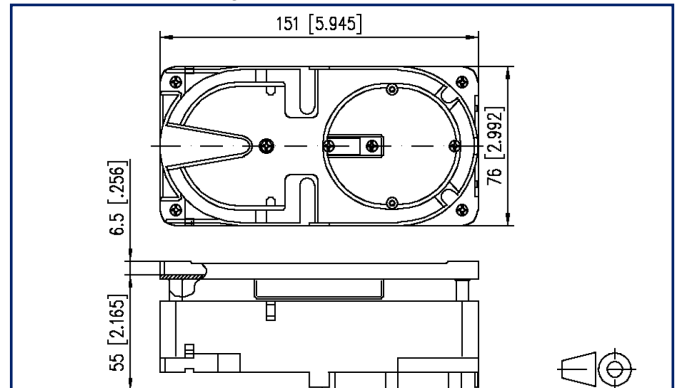
2023/03/30

Version: N

Illustrations



Dimensional drawing



See enlarged drawings at the end of document

Product specification

- for horizontal and vertical mounting in wall conduits
 - KR 50 for OBO/Bettermann ISS133
 - KR 50 for TEHALIT System FB
 - KR 55 for TEHALIT System BR
 - on-site assembly of fiber optic cable plugs
 - use of preassembled cables
 - splicing of pigtail plugs
 - minimum bending radii for fiber optic cables to TIA/EIA 568 A (> 30 mm) are met at input and output
 - cable entry regardless of direction with cable ties for strain relief
-
- variants: 55 mm, 50 mm



P | Cabling

Data sheet

Page 2/4

OpDAT KR 55 cable reservoir 55 mm

P/N

150800551-E

EAN 4250184109150

2023/03/30

Version: N

Technical Data

General Data

Mechanical measurement according to MICE	M1
Ingress measurement according to MICE	I1
Climatic measurement according to MICE	C1
Electromagnetic measurement according to MICE	E3
Design	Cable reservoir
Mounting style	Accessories
Color	pearl white RAL 1013
Dimensions	
Dimension (L x W x H)	154 mm x 79 mm x 68 mm
Dimension (L x W x H)	6.063 in. x 3.11 in. x 2.677 in.
Installation Height	50 mm
Installation Height	1.969 in.

Materials and material properties

Material	ABS
Halogen free	yes
RoHS	compliant

Classifications

ETIM 5.0	EC000441
ETIM 6.0	EC000441
ETIM 7.0	EC002609
ETIM 8.0	EC002609
ETIM 9.0	EC002609

Packing details

Type of packaging	1 pc(s) / box
Packaging unit - Weight (gram)	143 g
Packaging unit - Weight (pound)	0.32 lb
Packaging dimension	154 mm x 79 mm x 68 mm
Packaging dimension	6.063 in. x 3.11 in. x 2.677 in.

P | Cabling

Data sheet

OpDAT KR 55 cable reservoir 55 mm

Page 3/4

P/N

150800551-E

EAN 4250184109150

2023/03/30

Version: N

Accessories

P/N	Designation
150802-E	OpDAT splice tray for KR50/55



P | Cabling

Data sheet

OpDAT KR 55 cable reservoir 55 mm

Page 4/4

P/N

150800551-E

EAN 4250184109150

2023/03/30

Version: N

Illustrations

Dimensional drawing

