

Data sheet

OpDAT HP 6xLC-D OS2 splice, with lock

Page 1/4

P/N

1503597406-F

EAN 4251394602639

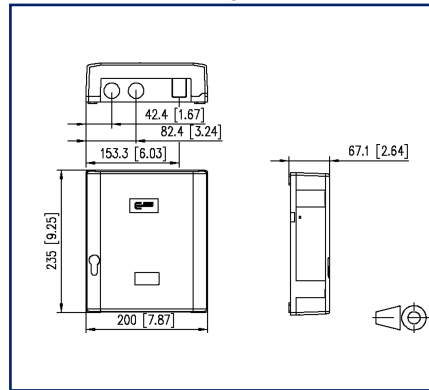
2023/07/11

Version: F

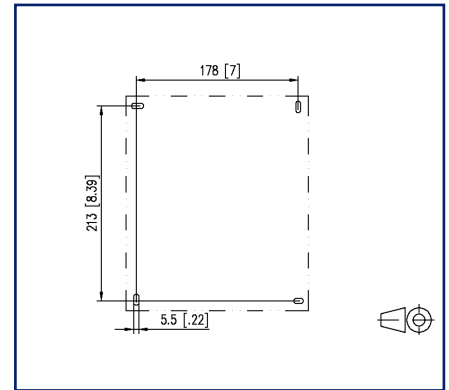
Illustrations



Dimensional drawing



Cut-out



See enlarged drawings at the end of document

Product specification

- Fiber optic splice and distributor housing to be used as building transition point
 - Equipped with LC-D adapters and LC pigtails
 - Cover locking by locking latch, can be sealed
 - Cover can be very easily removed to facilitate mounting
 - Splice tray for easy mounting and maintenance with a maximum of protection of the fibers with fiber transposition option and place to store fiber excess lengths
 - Available with or without lock
 - Strain relief for cables and patch cords
 - With mounting and fastening option for gas and/or water blockers
 - Patch cord output with flexible lamella seal
 - Two cable entries for M20/25, one M20 cable gland included
 - Fastening option for optical couplers
 - Structured ASA (acrylic ester-styrene-acrylonitrile) in RAL 7035, extremely resistant plastic material, impact resistant and weatherproof
 - Protection class according to IEC 60529: IP54
- Variants: equipped with up to 6 LC-D adapters and up to 12 LC pigtails, each in blue (OS2) or LC-D APC, each in green (OS2)

P | Cabling

Data sheet

Page 2/4

OpDAT HP 6xLC-D OS2 splice, with lock

P/N

1503597406-F

EAN 4251394602639

2023/07/11

Version: F

Technical Data

General Data

Fields of application	structured building cabling office areas data center
Mechanical measurement according to MICE	M1
Ingress measurement according to MICE	I1
Climatic measurement according to MICE	C1
Electromagnetic measurement according to MICE	E3
Transmission technology	Fiber optic
Color	blue
Dimensions	
Dimension (L x W x H)	67.1 mm x 200 mm x 235 mm
Dimension (L x W x H)	2.642 in. x 7.874 in. x 9.252 in.
Number of cables/ buffered fibers	12
Cable Type	pigtail(s)
Fiber class	OS2: IEC 60793-2-50 B6_a, B6_b & ITU-T G.657.A2, G.657.B2, G.652.D
Mode type of the fiber	Singlemode
Shape	UPC (Ultra Physical Contact)
Fiber construction	9/125 µm

Connections/interfaces

Connector technology interface 1	LC-D Couplers
Connector technology interface 2	LC-D Couplers
Number of ports interface 1	6
Number of ports interface 2	6
Number of equipped ports interface 1	6
Number of ports interface 2 equipped	6
Number of ports with dust protection interface 2	6

Optical characteristics

Insertion loss	max. 0,3 dB
Return loss	min. 50 dB

P | Cabling

Data sheet

Page 3/4

OpDAT HP 6xLC-D OS2 splice, with lock

P/N

1503597406-F

EAN 4251394602639

2023/07/11

Version: F

Technical Data

Mechanical data

Connector type	duplex
Life - Number of mating cycles	min. 1000
strain relief	yes

Materials and material properties

Material - Housing	Plastics
Material - Sleeve	ceramic, slotted
Material - Coupler housing	Plastics
Halogen free	yes
RoHS	compliant

Standards/Regulations

FO connector interfaces	IEC 61754-20
Optical fibers: Indoor optical cables	
Sectional specification for class A B single-mode fibres	ISO/IEC 60793-2-50 type B6_a/B6_b
Optical fibers - Interconnecting devices and passive components - basic test and measuring methods	
Fibre optic interconnecting devices and passive components - Insertion loss	IEC 61300-3-4
Fibre optic interconnecting devices and passive components - Return loss	IEC 61300-3-6
Fibre optic interconnecting devices and passive components - Visual inspection of plug end face	IEC 61300-3-35
Standard colours for insulation for low-frequency cables & wires	IEC 60304
ITU-T standard	ITU-T G.657.A2 and G.657.B2, compatible with ITU-T G.652.D

Classifications

ETIM 7.0	EC001409
ETIM 8.0	EC001409
ETIM 9.0	EC001409

Packing details

Type of packaging	1 pc(s) / box
Packaging dimension	265 mm x 215 mm x 80 mm
Packaging dimension	10.433 in. x 8.465 in. x 3.15 in.

P | Cabling

Data sheet

OpDAT HP 6xLC-D OS2 splice, with lock

Page 4/4

P/N

1503597406-F

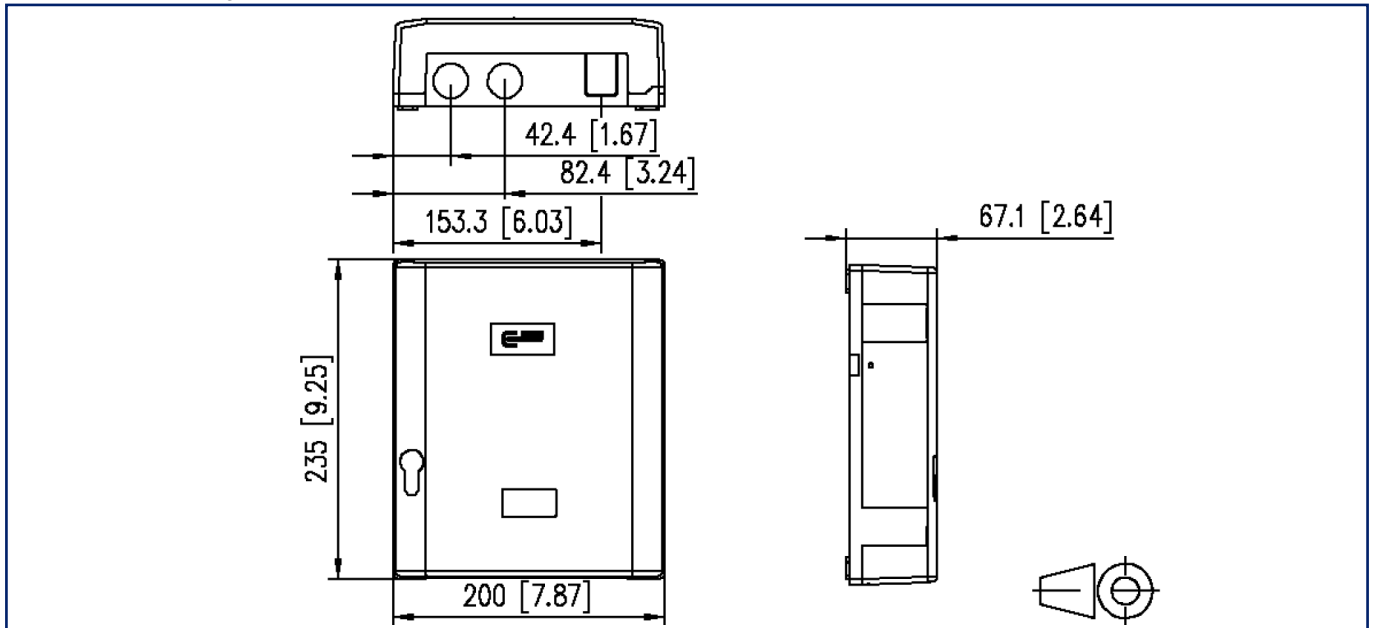
EAN 4251394602639

2023/07/11

Version: F

Illustrations

Dimensional drawing



Cut-out

