

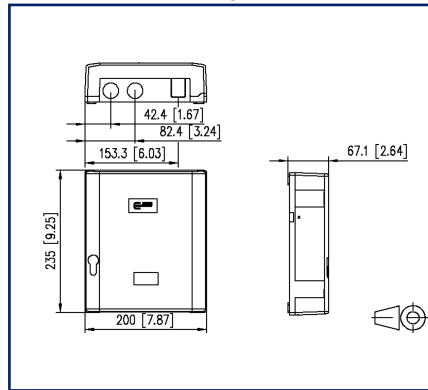
Data sheet

OpDAT HP 6xLC-D OS2 VIK, with lock

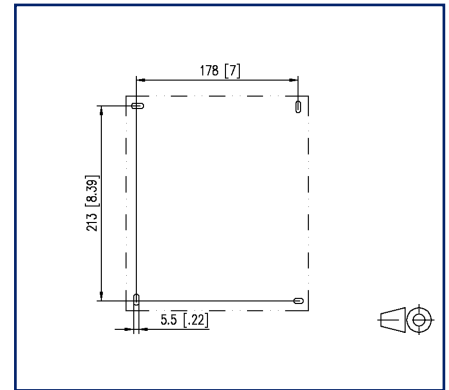
Illustrations



Dimensional drawing



Cut-out



See enlarged drawings at the end of document

Product specification

- Fiber optic splice and distributor housing to be used as building transition point
- Equipped with LC-D adapters
- Accepts max. 12 pigtails or 2 VIKs
- Cover locking by locking latch, can be sealed
- Cover can be very easily removed to facilitate mounting
- Splice tray for easy mounting and maintenance with a maximum of protection of the fibers with fiber transposition option and place to store fiber excess lengths
- Available with or without lock
- Strain relief for cables and patch cords
- With mounting and fastening option for gas and/or water blockers
- Patch cord output with flexible lamella seal
- Two cable entries for M20/25, one M20 cable gland included
- Fastening option for optical couplers
- Structured ASA (acrylic ester-styrene-acrylonitrile) in RAL 7035, extremely resistant plastic material, impact resistant and weatherproof
- Protection class according to IEC 60529: IP54
- Variants: equipped with up to 6 LC-D adapters, each in blue (OS2) or LC-D APC adapters, each in green (OS2)

P | Cabling

Data sheet

Page 2/4

OpDAT HP 6xLC-D OS2 VIK, with lock

P/N

1503507406-F

EAN 4251394602714

2023/07/11

Version: F

Technical Data

General Data

Fields of application	structured building cabling office areas data center
Mechanical measurement according to MICE	M1
Ingress measurement according to MICE	I1
Climatic measurement according to MICE	C1
Electromagnetic measurement according to MICE	E3
Transmission technology	Fiber optic
Color	blue
Dimensions	
Dimension (L x W x H)	67.1 mm x 200 mm x 235 mm
Dimension (L x W x H)	2.642 in. x 7.874 in. x 9.252 in.
Fiber class	OS2
Mode type of the fiber	Singlemode

Connections/interfaces

Connector technology interface 1	LC-D Couplers
Connector technology interface 2	LC-D Couplers
Number of ports interface 1	6
Number of ports interface 2	6
Number of equipped ports interface 1	6
Number of ports interface 2 equipped	6
Number of ports with dust protection interface 1	6
Number of ports with dust protection interface 2	6

Mechanical data

Connector type	duplex
strain relief	yes

Materials and material properties

Material - Housing	Plastics
Material - Sleeve	ceramic, slotted
Material - Coupler housing	Plastics
Halogen free	yes



P | Cabling

Data sheet

Page 3/4

OpDAT HP 6xLC-D OS2 VIK, with lock

P/N

1503507406-F

EAN 4251394602714

2023/07/11

Version: F

Technical Data

Materials and material properties

RoHS	compliant
------	-----------

Standards/Regulations

FO connector interfaces	IEC 61754-20
-------------------------	--------------

Classifications

ETIM 7.0	EC001409
----------	----------

ETIM 8.0	EC001409
----------	----------

ETIM 9.0	EC001409
----------	----------

Packing details

Type of packaging	1 pc(s) / box
-------------------	---------------

Packaging dimension	265 mm x 215 mm x 80 mm
---------------------	-------------------------

Packaging dimension	10.433 in. x 8.465 in. x 3.15 in.
---------------------	-----------------------------------



P | Cabling

Data sheet

OpDAT HP 6xLC-D OS2 VIK, with lock

Page 4/4

P/N

1503507406-F

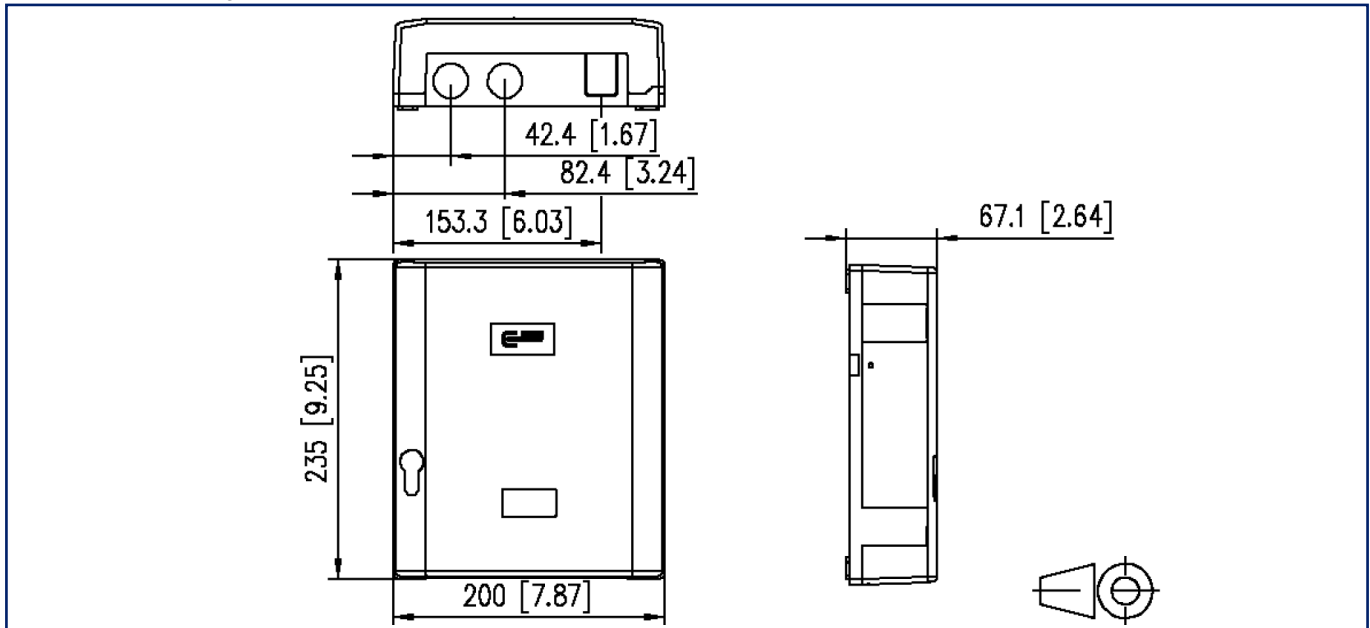
EAN 4251394602714

2023/07/11

Version: F

Illustrations

Dimensional drawing



Cut-out

