

Data sheet

OpDAT Wall-mounted distributor M 24xSC-D OM3 VIK

Page 1/5

P/N

150330BA24-E

EAN 4251122196904

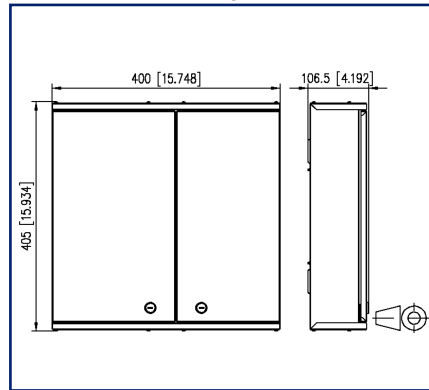
2023/04/25

Version: I

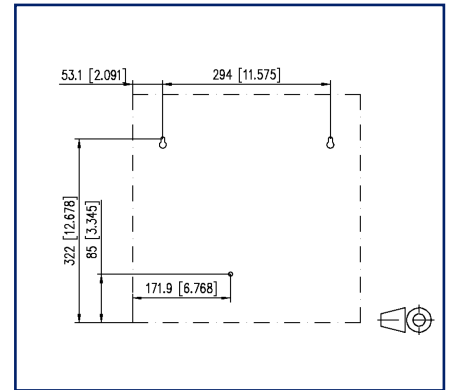
Illustrations



Dimensional drawing



Drill pattern



See enlarged drawings at the end of document

Product specification

- distributor for universal use in floor cabling or as a building distribution point in the equipment room
- equipped with SC-D-adapters
- unused openings are closed by blind plugs
- wall-mount housing with two lockable swing doors, two different locks to separate network and building cabling
- easy, space saving wall mounting
- easy access possibilities and a secure routing of the VIKs
- four cable infeeds (scope of supply): 1x for VIKs with universal cables, 1x for M20/PG16, 2x for patch cords
- variants: size S: 305x300x107 mm or size M: 405x400x107 mm

Technical Data

General Data

Fields of application	structured building cabling office areas data center
Mechanical measurement according to MICE	M1
Ingress measurement according to MICE	I1
Climatic measurement according to MICE	C1
Electromagnetic measurement according to MICE	E3
Design	Wall-mounted distributor
Mounting style	AP
Transmission technology	Fiber optic
Port numbering	yes
Color	aqua
Dimensions	
Dimension (L x W x H)	106.5 mm x 400 mm x 405 mm
Dimension (L x W x H)	4.193 in. x 15.748 in. x 15.945 in.
Fiber class	OM3
Mode type of the fiber	Multimode
Labeling option	printed numbers

Connections/interfaces

Connector technology interface 1	SC-D Couplers
Connector technology interface 2	SC-D Couplers
Number of ports interface 1	24
Number of ports interface 2	24
Number of equipped ports interface 1	24
Number of ports interface 2 equipped	24
Cable access/outlet	from top or bottom

Mechanical data

Cut-out	SC-D, LC-Q, ST-D
Connector type	duplex

P | Cabling

Data sheet

Page 3/5

OpDAT Wall-mounted distributor M 24xSC-D OM3 VIK

P/N

150330BA24-E

EAN 4251122196904

2023/04/25

Version: I

Technical Data

Materials and material properties

Halogen free	yes
--------------	-----

RoHS	compliant
------	-----------

Standards/Regulations

Fibre optic connector interfaces	IEC 61754-4
----------------------------------	-------------

Classifications

ETIM 7.0	EC001130
----------	----------

ETIM 8.0	EC001130
----------	----------

ETIM 9.0	EC001130
----------	----------

Packing details

Type of packaging	1 pc(s) / box
-------------------	---------------

Accessories

P/N	Designation
15032Z089-E	OpDAT WV rotary bolt
15033Z001-E	Cable infeed for 4xM20 for OpDAT Wall-mounted distributor M
15033Z002-E	Cable infeed for 2xM20 and 4xM2 for OpDAT Wall-mounted distributor M
15033Z003-E	Cable infeed for 3xM25 for OpDAT Wall-mounted distributor M
15033Z004-E	Cable infeed for three mounting plates VIK for OpDAT Wall-mounted distributor M
15033Z005-E	Cable infeed for patch cords for OpDAT Wall-mounted distributor M
15033Z006-E	
15033Z007-E	Brush strip without single cable catch for OpDAT Wall-mounted distributor M
15081106-E	OpDAT mounting plate VIK
150811M20-E	Cable gland M20 (Clamping range 7.0 to 12.0 mm)
150811M25-E	Cable gland M25 (Clamping range 10.0 to 16.0 mm)
150811P1613-E	Thread reducer PG16 to PG13.5
15090401-E	OpDAT crimp splice protection (12 pieces)
15090401-I	OpDAT crimp splice protection (150 pieces)

P | Cabling

Data sheet

Page 5/5

OpDAT Wall-mounted distributor M 24xSC-D OM3 VIK

P/N

150330BA24-E

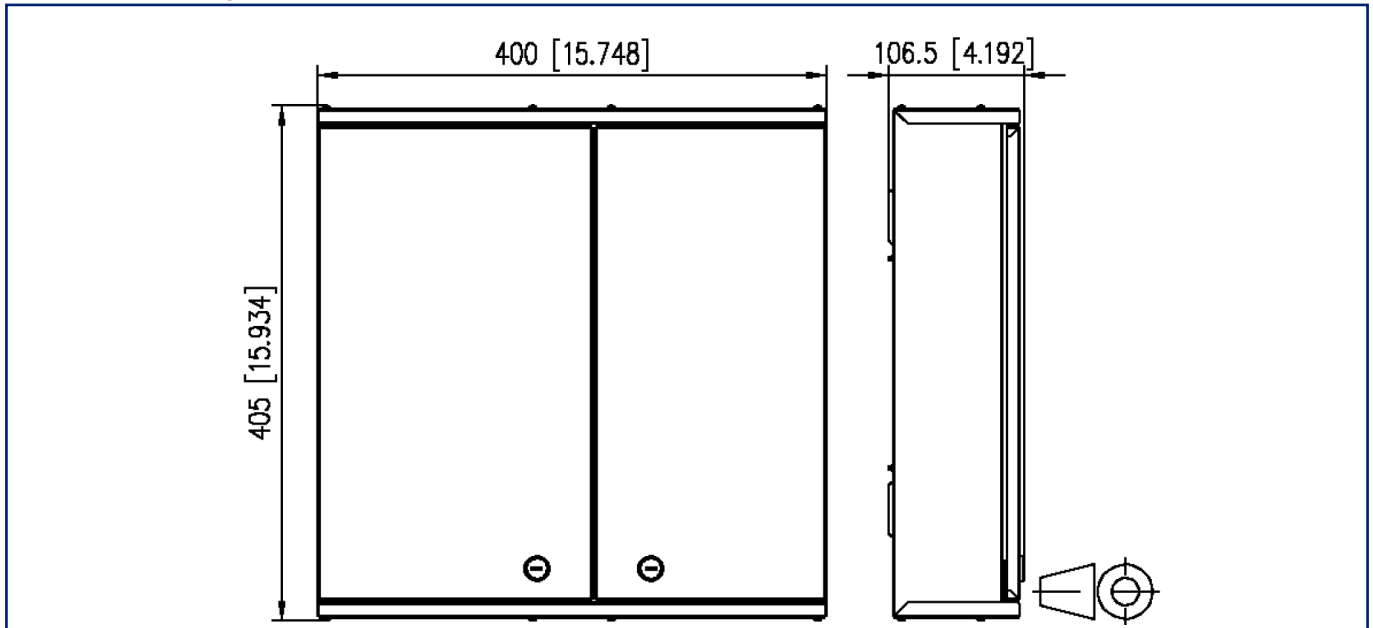
EAN 4251122196904

2023/04/25

Version: I

Illustrations

Dimensional drawing



Drill pattern

