

Data sheet

M12 Jack D-coded IP67

Cat. 5, Ø 6-9.7 mm, field assembly with flange

Page 1/16

P/N

MMF881A115-0001

EAN 4251394625256

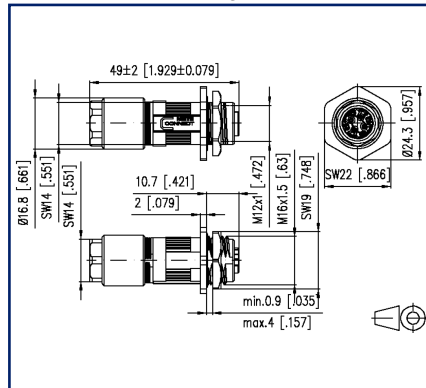
2023/11/21

Version: Q

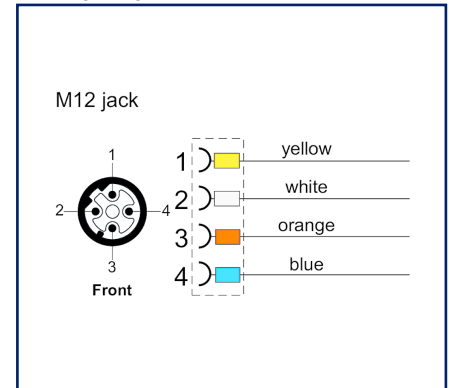
Illustrations



Dimensional drawing



Wiring diagram



See enlarged drawings at the end of document

Product specification

- 4-pole jack for field assembly Cat.5e
- M12 connector following to DIN EN 61076-2-101:2012 with flange
- suitable for 100 MBit Fast Ethernet as per IEEE 802.3an
- AWG 26/1 to 22/1, AWG 26/7 to 22/7 can be connected
- solid copper wire diameter 0.41 to 0.64 mm
- stranded copper wire diameter 0.48 to 0.76 mm
- wire diameter with isolation up to 1.6 mm
- cable jacket from 6.0 to 9.7 mm
- jack consists of only two parts
- easy assembly without special tools
- industry-compatible zinc die-cast housing
- suitable for applications in the railway industry according to data sheet

P | Cabling

Data sheet

Page 2/16

M12 Jack D-coded IP67

Cat. 5, Ø 6-9.7 mm, field assembly with flange

P/N

MMF881A115-0001

EAN 4251394625256

2023/11/21

Version: Q

Technical Data

General Data

Electromagnetic measurement according to MICE	E2
Design	Jack
Mounting style	back side
Shielding	shielded
Transmission technology	Copper
Dimensions	
Dimension (L x W x H)	49 mm x 16.8 mm x 16.8 mm
Dimension (L x W x H)	1.929 in. x 0.661 in. x 0.661 in.
Field assembly ability	yes
Labeling option	on housing

Transmission characteristics

Category (ISO)	5e
Category (TIA)	5e
Remote Powering	yes
PoE	IEEE 802.3af
PoE plus	IEEE 802.3at

Connections/interfaces

Connector technology interface 1	IDC-connection
Connector technology interface 2	M12-jack
Coding interface 2	D-coded
Number of ports interface 2	1
Number of ports interface 2 equipped	1
Number of positions/contacts interface 1	4
Number of positions/contacts interface 2	4



P | Cabling

Data sheet

Page 3/16

M12 Jack D-coded IP67

Cat. 5, Ø 6-9.7 mm, field assembly with flange

P/N

MMF881A115-0001

EAN 4251394625256

2023/11/21

Version: Q

Technical Data

Connections/interfaces

Termination data, solid wire (min. - max.)

Conductor cross section, solid wire	AWG 26/1 - AWG 22/1
Conductor cross section, solid wire	0.128 mm ² - 0.324 mm ²
Conductor diameter, solid wire (bare copper)	0.409 mm - 0.643 mm
Conductor diameter, solid wire (bare copper)	0.016 in. - 0.025 in.

Termination data, stranded wire (min. - max.)

Conductor cross section, stranded wire	AWG 26/7 - AWG 22/7
Conductor cross section, stranded wire	0.141 mm ² - 0.355 mm ²
Conductor diameter, stranded wire (bare copper)	0.483 mm - 0.762 mm
Conductor diameter, stranded wire (bare copper)	0.019 in. - 0.03 in.

Aderdurchmesser (min.-max.)

Core diameter (conductor with insulation)	0.85 mm - 1.6 mm
Core diameter (conductor with insulation)	0.033 in. - 0.063 in.

Cable sheath diameter (min. - max.)

Cable sheath diameter	6 mm - 9.7 mm
Cable sheath diameter	0.236 in. - 0.382 in.

Cable access/outlet	straight M12
---------------------	--------------

Electrical characteristics

Current carrying capacity at 40 °C	max. 4 A
Rated voltage	48 V AC / 60 V DC
Note for contact resistance	plug / jack
Contact resistance	max. 5 mOhm
Insulation resistance	min. 100 MOhm

Mechanical data

Mounting method	screwable
Insertion and withdrawal force	10 N / 15 N
Life - Number of mating cycles	min. 100

P | Cabling

Data sheet

Page 4/16

M12 Jack D-coded IP67

Cat. 5, Ø 6-9.7 mm, field assembly with flange

P/N

MMF881A115-0001

EAN 4251394625256

2023/11/21

Version: Q

Technical Data

Materials and material properties

Material - Housing	GD-Zn (zinc die-cast)
Material - Contact	CuZnPb (brass)
Material - Contact finish	Ni + Au (nickel-gold)
Material - Contact carriers	PA UL94 V0
Material - Shield	CuSn (tin bronze)
Material - Shield finish	Sn (tin)
Material - Stuffer cap	PA UL94-V0
Material - Finish	Ni (nickel)
RoHS	compliant

Environmental conditions

Temperature (min. - max.)	
Note for Temperature - Operating	plug / jack
Temperature - Operating °C	-40 °C - 85 °C
Temperature - Operating °F	-40 °F - 185 °F
Protection category	IP67 when plugged in
Overvoltage category	II
Degree of pollution	3

Approvals

UL listed (file no.)		DUXR.E178484
----------------------	--	--------------

Standards/Regulations

Application-specific communications cabling systems	
Profinet	yes
Connectors for electronic equipment	
circular connector	M12 connector following to DIN EN 61076-2-101:2012
Connectors for electronic equipment - Tests and measurements	
Test standard for connectors (engaging and separating connectors under electrical load)	DIN-EN 60512-99-001

P | Cabling

Data sheet

Page 5/16

M12 Jack D-coded IP67

Cat. 5, Ø 6-9.7 mm, field assembly with flange

P/N

MMF881A115-0001

EAN 4251394625256

2023/11/21

Version: Q

Technical Data

Standards/Regulations

Railway applications

Electronic equipment used on rolling stock	following to DIN EN 50155
Fire protection on railway vehicles	following to DIN EN 45545-2
Contact holder	Thermoplastic HL3 according to R22 EN 45545-2
Stuffer cap	Thermoplastic HL3 according to R22 EN 45545-2
Sealings	Elastomer
Shock and vibration	DIN EN 50155:2018-05, DIN EN 61373:2011-04 Class 1 Category B
Salt spray	DIN EN 50155:2018-05, (DIN EN 60068-2-11:2000-02/ 48h test KA)

Classifications

ETIM 5.0	EC001121
ETIM 6.0	EC001121
ETIM 7.0	EC002635
ETIM 8.0	EC002635
ETIM 9.0	EC002635

Packing details

Type of packaging	10 pc(s) / box
-------------------	----------------

P | Cabling

Data sheet

Page 6/16

M12 Jack D-coded IP67

Cat. 5, Ø 6-9.7 mm, field assembly with flange

P/N

MMF881A115-0001

EAN 4251394625256

2023/11/21

Version: Q

Accessories from

P/N	Designation
142MOD10010	M12 Bus-/Railcat connection cable, D-coded, 1.0 m, M12 plug - free line end, 4-pole, black
142MOD10020	M12 Bus-/Railcat connection cable, D-coded, 2.0 m, M12 plug - free line end, 4-pole, black
142MOD10050	M12 Bus-/Railcat connection cable, D-coded, 5.0 m, M12 plug - free line end, 4-pole, black
142MOD10100	M12 Bus-/Railcat connection cable, D-coded, 10.0 m, M12 plug - free line end, 4-pole, black
142MOD11010	M12 Bus-/Railcat connection line, D-coded, 1.0 m, M12 plug - M12 plug, 4-pole, black
142MOD11020	M12 Bus-/Railcat connection line, D-coded, 2.0 m, M12 plug - M12 plug, 4-pole, black
142MOD11050	M12 Bus-/Railcat connection line, D-coded, 5.0 m, M12 plug - M12 plug, 4-pole, black
142MOD11100	M12 Bus-/Railcat connection line, D-coded, 10.0 m, M12 plug - M12 plug, 4-pole, black
142MOD12010	M12 Bus-/Railcat connection line, D-coded, 1.0 m, M12 plug - M12 jack, 4-pole, black
142MOD12020	M12 Bus-/Railcat connection line, D-coded, 2.0 m, M12 plug - M12 jack, 4-pole, black
142MOD12050	M12 Bus-/Railcat connection line, D-coded, 5.0 m, M12 plug - M12 jack, 4-pole, black
142MOD12100	M12 Bus-/Railcat connection line, D-coded, 10.0 m, M12 plug - M12 jack, 4-pole, black
142MOD13010	M12 Bus-/Railcat connection line, D-coded, 1.0 m, M12 plug - M12 jack angled, 4-pole, black
142MOD13020	M12 Bus-/Railcat connection line, D-coded, 2.0 m, M12 plug - M12 jack angled, 4-pole, black
142MOD13050	M12 Bus-/Railcat connection line, D-coded, 5.0 m, M12 plug - M12 jack angled, 4-pole, black
142MOD13100	M12 Bus-/Railcat connection line, D-coded, 10.0 m, M12 plug - M12 jack angled, 4-pole, black
142MOD14010	M12 Bus-/Railcat connection line, D-coded, 1.0 m, M12 plug - M12 jack, without flange, 4-pole, black
142MOD14020	M12 Bus-/Railcat connection line, D-coded, 2.0 m, M12 plug - M12 jack, without flange, 4-pole, black
142MOD14050	M12 Bus-/Railcat connection line, D-coded, 5.0 m, M12 plug - M12 jack, without flange, 4-pole, black
142MOD14100	M12 Bus-/Railcat connection line, D-coded, 10.0 m, M12 plug - M12 jack, without flange, 4-pole, black
142MOD15010	M12 Bus-/Railcat connection line, D-coded, 1.0 m, M12 plug - RJ45 plug, 4-pole, black

P | Cabling

Data sheet

Page 7/16

M12 Jack D-coded IP67

Cat. 5, Ø 6-9.7 mm, field assembly with flange

P/N

MMF881A115-0001

EAN 4251394625256

2023/11/21

Version: Q

Accessories from

142MOD15020	M12 Bus-/Railcat connection line, D-coded, 2.0 m, M12 plug - RJ45 plug, 4-pole, black
142MOD15050	M12 Bus-/Railcat connection line, D-coded, 5.0 m, M12 plug - RJ45 plug, 4-pole, black
142MOD15100	M12 Bus-/Railcat connection line, D-coded, 10.0 m, M12 plug - RJ45 plug, 4-pole, black
142MOD19010	M12 Bus-/Railcat connection line, D-coded, 1.0 m, M12 plug - M12 plug angled, 4-pole, black
142MOD19020	M12 Bus-/Railcat connection line, D-coded, 2.0 m, M12 plug - M12 plug angled, 4-pole, black
142MOD19050	M12 Bus-/Railcat connection line, D-coded, 5.0 m, M12 plug - M12 plug angled, 4-pole, black
142MOD19100	M12 Bus-/Railcat connection line, D-coded, 10.0 m, M12 plug - M12 plug angled, 4-pole, black
142MOD1E010	M12 Bus-/Railcat connection line, D-coded, 1.0 m, M12 plug - M12 jack angled, without flange, 4-pole, black
142MOD1E020	M12 Bus-/Railcat connection line, D-coded, 2.0 m, M12 plug - M12 jack angled, without flange, 4-pole, black
142MOD1E050	M12 Bus-/Railcat connection line, D-coded, 5.0 m, M12 plug - M12 jack angled, without flange, 4-pole, black
142MOD1E100	M12 Bus-/Railcat connection line, D-coded, 10.0 m, M12 plug - M12 jack angled, without flange, 4-pole, black
142MOD20010	M12 Bus-/Railcat connection cable, D-coded, 1.0 m, M12 jack - free line end, 4-pole, black
142MOD20020	M12 Bus-/Railcat connection cable, D-coded, 2.0 m, M12 jack - free line end, 4-pole, black
142MOD20050	M12 Bus-/Railcat connection cable, D-coded, 5.0 m, M12 jack - free line end, 4-pole, black
142MOD20100	M12 Bus-/Railcat connection cable, D-coded, 10.0 m, M12 jack - free line end, 4-pole, black
142MOD25010	M12 Bus-/Railcat connection line, D-coded, 1.0 m, M12 jack - RJ45 plug, 4-pole, black
142MOD25020	M12 Bus-/Railcat connection line, D-coded, 2.0 m, M12 jack - RJ45 plug, 4-pole, black
142MOD25050	M12 Bus-/Railcat connection line, D-coded, 5.0 m, M12 jack - RJ45 plug, 4-pole, black
142MOD25100	M12 Bus-/Railcat connection line, D-coded, 10.0 m, M12 jack - RJ45 plug, 4-pole, black
142MOD29010	M12 Bus-/Railcat connection line, D-coded, 1.0 m, M12 jack - M12 plug angled, 4-pole, black
142MOD29020	M12 Bus-/Railcat connection line, D-coded, 2.0 m, M12 jack - M12 plug angled, 4-pole, black
142MOD29050	M12 Bus-/Railcat connection line, D-coded, 5.0 m, M12 jack - M12 plug angled, 4-pole, black

P | Cabling

Data sheet

Page 8/16

M12 Jack D-coded IP67

Cat. 5, Ø 6-9.7 mm, field assembly with flange

P/N

MMF881A115-0001

EAN 4251394625256

2023/11/21

Version: Q

Accessories from

142MOD29100	M12 Bus-/Railcat connection line, D-coded, 10.0 m, M12 jack - M12 plug angled, 4-pole, black
142MOD30010	M12 Bus-/Railcat connection cable, D-coded, 1.0 m, M12 jack angled - free line end, 4-pole, black
142MOD30020	M12 Bus-/Railcat connection cable, D-coded, 2.0 m, M12 jack angled - free line end, 4-pole, black
142MOD30050	M12 Bus-/Railcat connection cable, D-coded, 5.0 m, M12 jack angled - free line end, 4-pole, black
142MOD30100	M12 Bus-/Railcat connection cable, D-coded, 10.0 m, M12 jack angled - free line end, 4-pole, black
142MOD35010	M12 Bus-/Railcat connection line, D-coded, 1.0 m, M12 jack angled -RJ45 plug, 4-pole, black
142MOD35020	M12 Bus-/Railcat connection line, D-coded, 2.0 m, M12 jack angled - RJ45 plug, 4-pole, black
142MOD35050	M12 Bus-/Railcat connection line, D-coded, 5.0 m, M12 jack angled - RJ45 plug, 4-pole, black
142MOD35100	M12 Bus-/Railcat connection line, D-coded, 10.0 m, M12 jack angled - RJ45 plug, 4-pole, black
142MOD39010	M12 Bus-/Railcat connection line, D-coded, 1.0 m, M12 jack angled - M12 plug angled, 4-pole, black
142MOD39020	M12 Bus-/Railcat connection line, D-coded, 2.0 m, M12 jack angled - M12 plug angled, 4-pole, black
142MOD39050	M12 Bus-/Railcat connection line, D-coded, 5.0 m, M12 jack angled - M12 plug angled, 4-pole, black
142MOD39100	M12 Bus-/Railcat connection line, D-coded, 10.0 m, M12 jack angled - M12 plug angled, 4-pole, black
142MOD40010	M12 Bus-/Railcat connection cable, D-coded, 1.0 m, M12 jack - free line end, without flange, 4-pole, black
142MOD40020	M12 Bus-/Railcat connection cable, D-coded, 2.0 m, M12 jack - free line end, without flange, 4-pole, black
142MOD40050	M12 Bus-/Railcat connection cable, D-coded, 5.0 m, M12 jack - free line end, without flange, 4-pole, black
142MOD40100	M12 Bus-/Railcat connection cable, D-coded, 10.0 m, M12 jack - free line end, without flange, 4-pole, black
142MOD45010	M12 Bus-/Railcat connection line, D-coded, 1.0 m, M12 jack - RJ45 plug, without flange, 4-pole, black
142MOD45020	M12 Bus-/Railcat connection line, D-coded, 2.0 m, M12 jack - RJ45 plug, without flange, 4-pole, black
142MOD45050	M12 Bus-/Railcat connection line, D-coded, 5.0 m, M12 jack - RJ45 plug, without flange, 4-pole, black
142MOD45100	M12 Bus-/Railcat connection line, D-coded, 10.0 m, M12 jack - RJ45 plug, without flange, 4-pole, black
142MOD49010	M12 Bus-/Railcat connection line, D-coded, 1.0 m, M12 jack - M12 plug angled, without flange, 4-pole, black

P | Cabling

Data sheet

Page 9/16

M12 Jack D-coded IP67

Cat. 5, Ø 6-9.7 mm, field assembly with flange

P/N

MMF881A115-0001

EAN 4251394625256

2023/11/21

Version: Q

Accessories from

142MOD49020	M12 Bus-/Railcat connection line, D-coded, 2.0 m, M12 jack - M12 plug angled, without flange, 4-pole, black
142MOD49050	M12 Bus-/Railcat connection line, D-coded, 5.0 m, M12 jack - M12 plug angled, without flange, 4-pole, black
142MOD49100	M12 Bus-/Railcat connection line, D-coded, 10.0 m, M12 jack - M12 plug angled, without flange, 4-pole, black
142MOD50010	M12 Bus-/Railcat connection cable, D-coded, 1.0 m, RJ45 plug - free line end, 4-pole, black
142MOD50020	M12 Bus-/Railcat connection cable, D-coded, 2.0 m, RJ45 plug - free line end, 4-pole, black
142MOD50050	M12 Bus-/Railcat connection cable, D-coded, 5.0 m, RJ45 plug - free line end, 4-pole, black
142MOD50100	M12 Bus-/Railcat connection cable, D-coded, 10.0 m, RJ45 plug - free line end, 4-pole, black
142MOD55010	M12 Bus-/Railcat Patch cord, D-coded, 1.0 m, RJ45 plug - RJ45 plug, black
142MOD55020	M12 Bus-/Railcat Patch cord, D-coded, 2.0 m, RJ45 plug - RJ45 plug, black
142MOD55050	M12 Bus-/Railcat Patch cord, D-coded, 5.0 m, RJ45 plug - RJ45 plug, black
142MOD55100	M12 Bus-/Railcat Patch cord, D-coded, 10.0 m, RJ45 plug - RJ45 plug, black
142MOD59010	M12 Bus-/Railcat connection line, D-coded, 1.0 m, RJ45 plug - M12 plug angled, 4-pole, black
142MOD59020	M12 Bus-/Railcat connection line, D-coded, 2.0 m, RJ45 plug - M12 plug angled, 4-pole, black
142MOD59050	M12 Bus-/Railcat connection line, D-coded, 5.0 m, RJ45 plug - M12 plug angled, 4-pole, black
142MOD59100	M12 Bus-/Railcat connection line, D-coded, 10.0 m, RJ45 plug - M12 plug angled, 4-pole, black
142MOD90010	M12 Bus-/Railcat connection cable, D-coded, 1.0 m, M12 plug angled - free line end, 4-pole, black
142MOD90020	M12 Bus-/Railcat connection cable, D-coded, 2.0 m, M12 plug angled - free line end, 4-pole, black
142MOD90050	M12 Bus-/Railcat connection cable, D-coded, 5.0 m, M12 plug angled - free line end, 4-pole, black
142MOD90100	M12 Bus-/Railcat connection cable, D-coded, 10.0 m, M12 plug angled - free line end, 4-pole, black
142MODE0010	M12 Bus-/Railcat connection cable, D-coded, 1.0 m, M12 jack angled - free line end, without flange, 4-pole, black
142MODE0020	M12 Bus-/Railcat connection cable, D-coded, 2.0 m, M12 jack angled - free line end, without flange, 4-pole, black
142MODE0050	M12 Bus-/Railcat connection cable, D-coded, 5.0 m, M12 jack angled - free line end, without flange, 4-pole, black

P | Cabling

Data sheet

Page 10/16

M12 Jack D-coded IP67

Cat. 5, Ø 6-9.7 mm, field assembly with flange

P/N

MMF881A115-0001

EAN 4251394625256

2023/11/21

Version: Q

Accessories from

142MODE0100	M12 Bus-/Railcat connection cable, D-coded, 10.0 m, M12 jack angled - free line end, without flange, 4-pole, black
142MODE5010	M12 Bus-/Railcat connection line, D-coded, 1.0 m, M12 jack angled -RJ45 plug, without flange, 4-pole, black
142MODE5020	M12 Bus-/Railcat connection line, D-coded, 2.0 m, M12 jack angled - RJ45 plug, without flange, 4-pole, black
142MODE5050	M12 Bus-/Railcat connection line, D-coded, 5.0 m, M12 jack angled - RJ45 plug, without flange, 4-pole, black
142MODE5100	M12 Bus-/Railcat connection line, D-coded, 10.0 m, M12 jack angled - RJ45 plug, without flange, 4-pole, black
142MODE9010	M12 Bus-/Railcat connection line, D-coded, 1.0 m, M12 jack angled - M12 plug angled, without flange, 4-pole, black
142MODE9020	M12 Bus-/Railcat connection line, D-coded, 2.0 m, M12 jack angled - M12 plug angled, without flange, 4-pole, black
142MODE9050	M12 Bus-/Railcat connection line, D-coded, 5.0 m, M12 jack angled - M12 plug angled, without flange, 4-pole, black
142MODE9100	M12 Bus-/Railcat connection line, D-coded, 10.0 m, M12 jack angled - M12 plug angled, without flange, 4-pole, black
142MPD10010	M12 Bus-/Railcat connection cable, D-coded, 1.0 m, M12 plug - free line end, 4-pole, blue
142MPD10020	M12 Bus-/Railcat connection cable, D-coded, 2.0 m, M12 plug - free line end, 4-pole, blue
142MPD10050	M12 Bus-/Railcat connection cable, D-coded, 5.0 m, M12 plug - free line end, 4-pole, blue
142MPD10100	M12 Bus-/Railcat connection cable, D-coded, 10.0 m, M12 plug - free line end, 4-pole, blue
142MPD11010	M12 Bus-/Railcat connection line, D-coded, 1.0 m, M12 plug - M12 plug, 4-pole, blue
142MPD11020	M12 Bus-/Railcat connection line, D-coded, 2.0 m, M12 plug - M12 plug, 4-pole, blue
142MPD11050	M12 Bus-/Railcat connection line, D-coded, 5.0 m, M12 plug - M12 plug, 4-pole, blue
142MPD11100	M12 Bus-/Railcat connection line, D-coded, 10.0 m, M12 plug - M12 plug, 4-pole, blue
142MPD12010	M12 Bus-/Railcat connection line, D-coded, 1.0 m, M12 plug - M12 jack, 4-pole, blue
142MPD12020	M12 Bus-/Railcat connection line, D-coded, 2.0 m, M12 plug - M12 jack, 4-pole, blue
142MPD12050	M12 Bus-/Railcat connection line, D-coded, 5.0 m, M12 plug - M12 jack, 4-pole, blue
142MPD12100	M12 Bus-/Railcat connection line, D-coded, 10.0 m, M12 plug - M12 jack, 4-pole, blue
142MPD13010	M12 Bus-/Railcat connection line, D-coded, 1.0 m, M12 plug - M12 jack angled, 4-pole, blue

P | Cabling

Data sheet

Page 11/16

M12 Jack D-coded IP67

Cat. 5, Ø 6-9.7 mm, field assembly with flange

P/N

MMF881A115-0001

EAN 4251394625256

2023/11/21

Version: Q

Accessories from

142MPD13020	M12 Bus-/Railcat connection line, D-coded, 2.0 m, M12 plug - M12 jack angled, 4-pole, blue
142MPD13050	M12 Bus-/Railcat connection line, D-coded, 5.0 m, M12 plug - M12 jack angled, 4-pole, blue
142MPD13100	M12 Bus-/Railcat connection line, D-coded, 10.0 m, M12 plug - M12 jack angled, 4-pole, blue
142MPD14010	M12 Bus-/Railcat connection line, D-coded, 1.0 m, M12 plug - M12 jack, without flange, 4-pole, blue
142MPD14020	M12 Bus-/Railcat connection line, D-coded, 2.0 m, M12 plug - M12 jack, without flange, 4-pole, blue
142MPD14050	M12 Bus-/Railcat connection line, D-coded, 5.0 m, M12 plug - M12 jack, without flange, 4-pole, blue
142MPD14100	M12 Bus-/Railcat connection line, D-coded, 10.0 m, M12 plug - M12 jack, without flange, 4-pole, blue
142MPD15010	M12 Bus-/Railcat connection line, D-coded, 1.0 m, M12 plug - RJ45 plug, 4-pole, blue
142MPD15020	M12 Bus-/Railcat connection line, D-coded, 2.0 m, M12 plug - RJ45 plug, 4-pole, blue
142MPD15050	M12 Bus-/Railcat connection line, D-coded, 5.0 m, M12 plug - RJ45 plug, 4-pole, blue
142MPD15100	M12 Bus-/Railcat connection line, D-coded, 10.0 m, M12 plug - RJ45 plug, 4-pole, blue
142MPD19010	M12 Bus-/Railcat connection line, D-coded, 1.0 m, M12 plug - M12 plug angled, 4-pole, blue
142MPD19020	M12 Bus-/Railcat connection line, D-coded, 2.0 m, M12 plug - M12 plug angled, 4-pole, blue
142MPD19050	M12 Bus-/Railcat connection line, D-coded, 5.0 m, M12 plug - M12 plug angled, 4-pole, blue
142MPD19100	M12 Bus-/Railcat connection line, D-coded, 10.0 m, M12 plug - M12 plug angled, 4-pole, blue
142MPD1E010	M12 Bus-/Railcat connection line, D-coded, 1.0 m, M12 plug - M12 jack angled, without flange, 4-pole, blue
142MPD1E020	M12 Bus-/Railcat connection line, D-coded, 2.0 m, M12 plug - M12 jack angled, without flange, 4-pole, blue
142MPD1E050	M12 Bus-/Railcat connection line, D-coded, 5.0 m, M12 plug - M12 jack angled, without flange, 4-pole, blue
142MPD1E100	M12 Bus-/Railcat connection line, D-coded, 10.0 m, M12 plug - M12 jack angled, without flange, 4-pole, blue
142MPD20010	M12 Bus-/Railcat connection cable, D-coded, 1.0 m, M12 jack - free line end, 4-pole, blue
142MPD20020	M12 Bus-/Railcat connection cable, D-coded, 2.0 m, M12 jack - free line end, 4-pole, blue
142MPD20050	M12 Bus-/Railcat connection cable, D-coded, 5.0 m, M12 jack - free line end, 4-pole, blue

P | Cabling

Data sheet

Page 12/16

M12 Jack D-coded IP67

Cat. 5, Ø 6-9.7 mm, field assembly with flange

P/N

MMF881A115-0001

EAN 4251394625256

2023/11/21

Version: Q

Accessories from

142MPD20100	M12 Bus-/Railcat connection cable, D-coded, 10.0 m, M12 jack - free line end, 4-pole, blue
142MPD25010	M12 Bus-/Railcat connection line, D-coded, 1.0 m, M12 jack - RJ45 plug, 4-pole, blue
142MPD25020	M12 Bus-/Railcat connection line, D-coded, 2.0 m, M12 jack - RJ45 plug, 4-pole, blue
142MPD25050	M12 Bus-/Railcat connection line, D-coded, 5.0 m, M12 jack - RJ45 plug, 4-pole, blue
142MPD25100	M12 Bus-/Railcat connection line, D-coded, 10.0 m, M12 jack - RJ45 plug, 4-pole, blue
142MPD29010	M12 Bus-/Railcat connection line, D-coded, 1.0 m, M12 jack - M12 plug angled, 4-pole, blue
142MPD29020	M12 Bus-/Railcat connection line, D-coded, 2.0 m, M12 jack - M12 plug angled, 4-pole, blue
142MPD29050	M12 Bus-/Railcat connection line, D-coded, 5.0 m, M12 jack - M12 plug angled, 4-pole, blue
142MPD29100	M12 Bus-/Railcat connection line, D-coded, 10.0 m, M12 jack - M12 plug angled, 4-pole, blue
142MPD30010	M12 Bus-/Railcat connection cable, D-coded, 1.0 m, M12 jack angled - free line end, 4-pole, blue
142MPD30020	M12 Bus-/Railcat connection cable, D-coded, 2.0 m, M12 jack angled - free line end, 4-pole, blue
142MPD30050	M12 Bus-/Railcat connection cable, D-coded, 5.0 m, M12 jack angled - free line end, 4-pole, blue
142MPD30100	M12 Bus-/Railcat connection cable, D-coded, 10.0 m, M12 jack angled - free line end, 4-pole, blue
142MPD35010	M12 Bus-/Railcat connection line, D-coded, 1.0 m, M12 jack angled -RJ45 plug, 4-pole, blue
142MPD35020	M12 Bus-/Railcat connection line, D-coded, 2.0 m, M12 jack angled - RJ45 plug, 4-pole, blue
142MPD35050	M12 Bus-/Railcat connection line, D-coded, 5.0 m, M12 jack angled - RJ45 plug, 4-pole, blue
142MPD35100	M12 Bus-/Railcat connection line, D-coded, 10.0 m, M12 jack angled - RJ45 plug, 4-pole, blue
142MPD39010	M12 Bus-/Railcat connection line, D-coded, 1.0 m, M12 jack angled - M12 plug angled, 4-pole, blue
142MPD39020	M12 Bus-/Railcat connection line, D-coded, 2.0 m, M12 jack angled - M12 plug angled, 4-pole, blue
142MPD39050	M12 Bus-/Railcat connection line, D-coded, 5.0 m, M12 jack angled - M12 plug angled, 4-pole, blue
142MPD39100	M12 Bus-/Railcat connection line, D-coded, 10.0 m, M12 jack angled - M12 plug angled, 4-pole, blue
142MPD40010	M12 Bus-/Railcat connection cable, D-coded, 1.0 m, M12 jack - free line end, without flange, 4-pole, blue

P | Cabling

Data sheet

Page 13/16

M12 Jack D-coded IP67

Cat. 5, Ø 6-9.7 mm, field assembly with flange

P/N

MMF881A115-0001

EAN 4251394625256

2023/11/21

Version: Q

Accessories from

142MPD40020	M12 Bus-/Railcat connection cable, D-coded, 2.0 m, M12 jack - free line end, without flange, 4-pole, blue
142MPD40050	M12 Bus-/Railcat connection cable, D-coded, 5.0 m, M12 jack - free line end, without flange, 4-pole, blue
142MPD40100	M12 Bus-/Railcat connection cable, D-coded, 10.0 m, M12 jack - free line end, without flange, 4-pole, blue
142MPD45010	M12 Bus-/Railcat connection line, D-coded, 1.0 m, M12 jack - RJ45 plug, without flange, 4-pole, blue
142MPD45020	M12 Bus-/Railcat connection line, D-coded, 2.0 m, M12 jack - RJ45 plug, without flange, 4-pole, blue
142MPD45050	M12 Bus-/Railcat connection line, D-coded, 5.0 m, M12 jack - RJ45 plug, without flange, 4-pole, blue
142MPD45100	M12 Bus-/Railcat connection line, D-coded, 10.0 m, M12 jack - RJ45 plug, without flange, 4-pole, blue
142MPD49010	M12 Bus-/Railcat connection line, D-coded, 1.0 m, M12 jack - M12 plug angled, without flange, 4-pole, blue
142MPD49020	M12 Bus-/Railcat connection line, D-coded, 2.0 m, M12 jack - M12 plug angled, without flange, 4-pole, blue
142MPD49050	M12 Bus-/Railcat connection line, D-coded, 5.0 m, M12 jack - M12 plug angled, without flange, 4-pole, blue
142MPD49100	M12 Bus-/Railcat connection line, D-coded, 10.0 m, M12 jack - M12 plug angled, without flange, 4-pole, blue
142MPD50010	M12 Bus-/Railcat connection cable, D-coded, 1.0 m, RJ45 plug - free line end, 4-pole, blue
142MPD50020	M12 Bus-/Railcat connection cable, D-coded, 2.0 m, RJ45 plug - free line end, 4-pole, blue
142MPD50050	M12 Bus-/Railcat connection cable, D-coded, 5.0 m, RJ45 plug - free line end, 4-pole, blue
142MPD50100	M12 Bus-/Railcat connection cable, D-coded, 10.0 m, RJ45 plug - free line end, 4-pole, blue
142MPD55010	M12 Bus-/Railcat Patch cord, D-coded, 1.0 m, RJ45 plug - RJ45 plug, blue
142MPD55020	M12 Bus-/Railcat Patch cord, D-coded, 2.0 m, RJ45 plug - RJ45 plug, blue
142MPD55050	M12 Bus-/Railcat Patch cord, D-coded, 5.0 m, RJ45 plug - RJ45 plug, blue
142MPD55100	M12 Bus-/Railcat Patch cord, D-coded, 10.0 m, RJ45 plug - RJ45 plug, blue
142MPD59010	M12 Bus-/Railcat connection line, D-coded, 1.0 m, RJ45 plug - M12 plug angled, 4-pole, blue
142MPD59020	M12 Bus-/Railcat connection line, D-coded, 2.0 m, RJ45 plug - M12 plug angled, 4-pole, blue
142MPD59050	M12 Bus-/Railcat connection line, D-coded, 5.0 m, RJ45 plug - M12 plug angled, 4-pole, blue

P | Cabling

Data sheet

Page 14/16

M12 Jack D-coded IP67

Cat. 5, Ø 6-9.7 mm, field assembly with flange

P/N

MMF881A115-0001

EAN 4251394625256

2023/11/21

Version: Q

Accessories from

142MPD59100	M12 Bus-/Railcat connection line, D-coded, 10.0 m, RJ45 plug - M12 plug angled, 4-pole, blue
142MPD90010	M12 Bus-/Railcat connection cable, D-coded, 1.0 m, M12 plug angled - free line end, 4-pole, blue
142MPD90020	M12 Bus-/Railcat connection cable, D-coded, 2.0 m, M12 plug angled - free line end, 4-pole, blue
142MPD90050	M12 Bus-/Railcat connection cable, D-coded, 5.0 m, M12 plug angled - free line end, 4-pole, blue
142MPD90100	M12 Bus-/Railcat connection cable, D-coded, 10.0 m, M12 plug angled - free line end, 4-pole, blue
142MPDE0010	M12 Bus-/Railcat connection cable, D-coded, 1.0 m, M12 jack angled - free line end, without flange, 4-pole, blue
142MPDE0020	M12 Bus-/Railcat connection cable, D-coded, 2.0 m, M12 jack angled - free line end, without flange, 4-pole, blue
142MPDE0050	M12 Bus-/Railcat connection cable, D-coded, 5.0 m, M12 jack angled - free line end, without flange, 4-pole, blue
142MPDE0100	M12 Bus-/Railcat connection cable, D-coded, 10.0 m, M12 jack angled - free line end, without flange, 4-pole, blue
142MPDE5010	M12 Bus-/Railcat connection line, D-coded, 1.0 m, M12 jack angled -RJ45 plug, without flange, 4-pole, blue
142MPDE5020	M12 Bus-/Railcat connection line, D-coded, 2.0 m, M12 jack angled - RJ45 plug, without flange, 4-pole, blue
142MPDE5050	M12 Bus-/Railcat connection line, D-coded, 5.0 m, M12 jack angled - RJ45 plug, without flange, 4-pole, blue
142MPDE5100	M12 Bus-/Railcat connection line, D-coded, 10.0 m, M12 jack angled - RJ45 plug, without flange, 4-pole, blue
142MPDE9010	M12 Bus-/Railcat connection line, D-coded, 1.0 m, M12 jack angled - M12 plug angled, without flange, 4-pole, blue
142MPDE9020	M12 Bus-/Railcat connection line, D-coded, 2.0 m, M12 jack angled - M12 plug angled, without flange, 4-pole, blue
142MPDE9050	M12 Bus-/Railcat connection line, D-coded, 5.0 m, M12 jack angled - M12 plug angled, without flange, 4-pole, blue
142MPDE9100	M12 Bus-/Railcat connection line, D-coded, 10.0 m, M12 jack angled - M12 plug angled, without flange, 4-pole, blue
142MQX10010	M12 Bus-/Railcat connection cable, X-coded, 1.0 m, M12 plug - free line end, 8-pole
142MQX10020	M12 Bus-/Railcat connection cable, X-coded, 2.0 m, M12 plug - free line end, 8-pole
142MQX10050	M12 Bus-/Railcat connection cable, X-coded, 5.0 m, M12 plug - free line end, 8-pole
142MQX10100	M12 Bus-/Railcat connection cable, X-coded, 10.0 m, M12 plug - free line end, 8-pole
142MQX11010	M12 Bus-/Railcat connection line, X-coded, 1.0 m, M12 plug - M12 plug, 8-pole

P | Cabling

Data sheet

Page 15/16

M12 Jack D-coded IP67

Cat. 5, Ø 6-9.7 mm, field assembly with flange

P/N

MMF881A115-0001

EAN 4251394625256

2023/11/21

Version: Q

Accessories from

142MQX11020	M12 Bus-/Railcat connection line, X-coded, 2.0 m, M12 plug - M12 plug, 8-pole
142MQX11050	M12 Bus-/Railcat connection line, X-coded, 5.0 m, M12 plug - M12 plug, 8-pole
142MQX11100	M12 Bus-/Railcat connection line, X-coded, 10.0 m, M12 plug - M12 plug, 8-pole
142MQX12010	M12 Bus-/Railcat connection line, X-coded, 1.0 m, M12 plug - M12 jack, 8-pole
142MQX12020	M12 Bus-/Railcat connection line, X-coded, 2.0 m, M12 plug - M12 jack, 8-pole
142MQX12050	M12 Bus-/Railcat connection line, X-coded, 5.0 m, M12 plug - M12 jack, 8-pole
142MQX12100	M12 Bus-/Railcat connection line, X-coded, 10.0 m, M12 plug - M12 jack, 8-pole
142MQX14010	M12 Bus-/Railcat connection line, X-coded, 1.0 m, M12 plug - M12 plug, without flange, 8-pole
142MQX14020	M12 Bus-/Railcat connection line, X-coded, 2.0 m, M12 plug - M12 plug, without flange, 8-pole
142MQX14050	M12 Bus-/Railcat connection line, X-coded, 5.0 m, M12 plug - M12 plug, without flange, 8-pole
142MQX14100	M12 Bus-/Railcat connection line, X-coded, 10.0 m, M12 plug - M12 plug, without flange, 8-pole
142MQX20010	M12 Bus-/Railcat connection cable, X-coded, 1.0 m, M12 jack - free cable end, 8-pole
142MQX20020	M12 Bus-/Railcat connection cable, X-coded, 2.0 m, M12 jack - free cable end, 8-pole
142MQX20050	M12 Bus-/Railcat connection cable, X-coded, 5.0 m, M12 jack - free cable end, 8-pole
142MQX20100	M12 Bus-/Railcat connection cable, X-coded, 10.0 m, M12 jack - free cable end, 8-pole
142MQX40010	M12 Bus-/Railcat connection line, X-coded, 1.0 m, M12 plug - M12 jack, without flange, 8-pole
142MQX40020	M12 Bus-/Railcat connection line, X-coded, 2.0 m, M12 plug - M12 jack, without flange, 8-pole
142MQX40050	M12 Bus-/Railcat connection line, X-coded, 5.0 m, M12 plug - M12 jack, without flange, 8-pole
142MQX40100	M12 Bus-/Railcat connection line, X-coded, 10.0 m, M12 plug - M12 jack, without flange, 8-pole

P | Cabling

Data sheet

Page 16/16

M12 Jack D-coded IP67

Cat. 5, Ø 6-9.7 mm, field assembly with flange

P/N

MMF881A115-0001

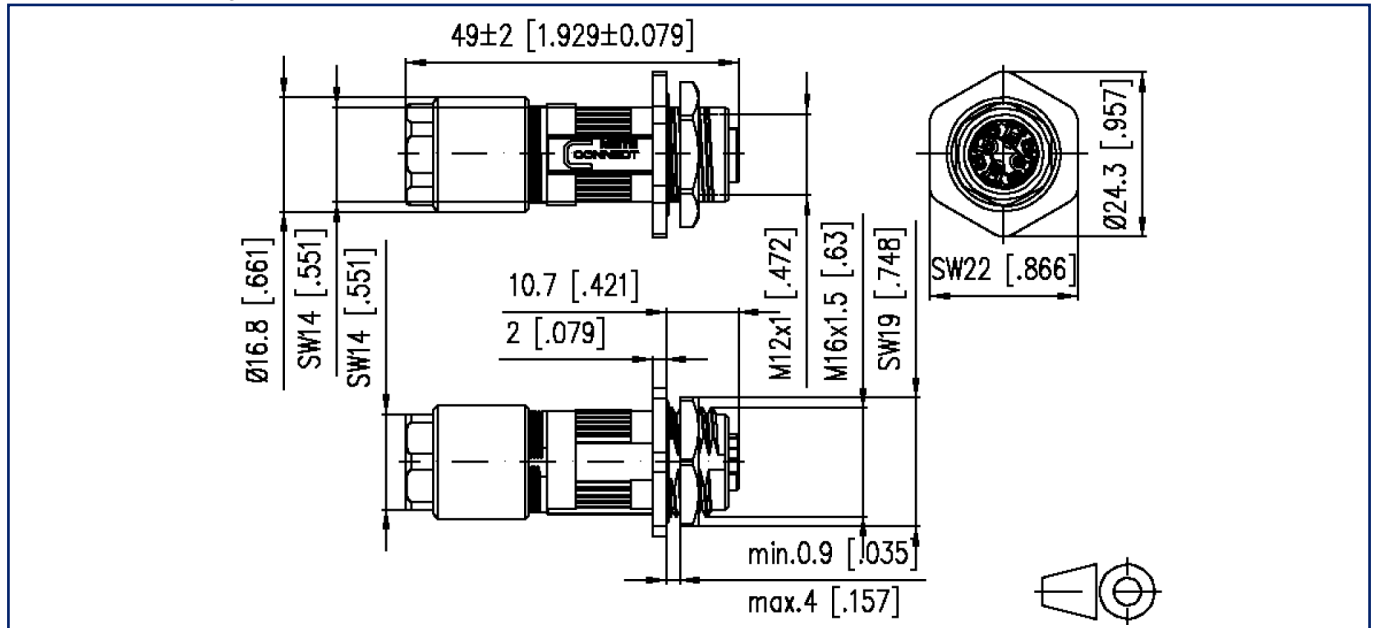
EAN 4251394625256

2023/11/21

Version: Q

Illustrations

Dimensional drawing



Wiring diagram

