

P | Cabling

Data sheet

**M12 Sensor/actuator cable, A-coded, X.X m,
M12 plug angled - free line end,
shielded, 8-pole, PVC-C**

Page 1/6

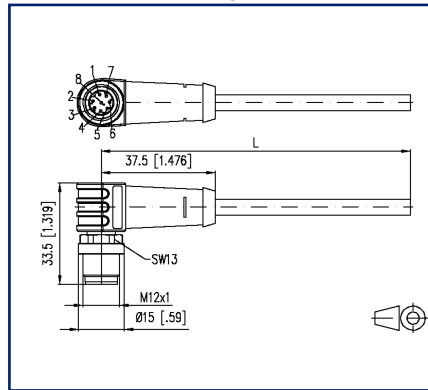
P/N
142MNAD0XXX

2023/05/26
Version: E

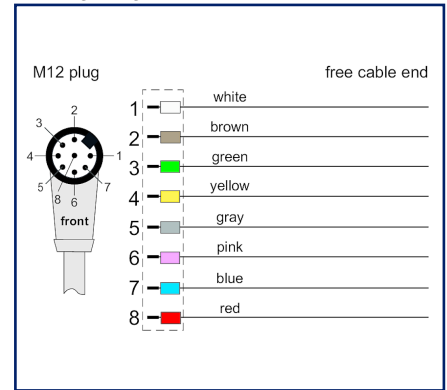
Illustrations



Dimensional drawing



Wiring diagram



See enlarged drawings at the end of document

Product specification

PVC-cable for measurement, control and sensor technology. Suitable for applications in dry areas on packaging machines, assembly and conveyor technology. High flexibility with unstressed movement (conditional drag chain application possible). Predestined for applications in food and beverage industry. Special features: seawater resistant, recyclable, LABS free, RoHs compliant, acid and alkali resistant, ozone resistant, UV resistant

- all available variants can be created with the configurator

P | Cabling

Data sheet

Page 2/6

**M12 Sensor/actuator cable, A-coded, X.X m,
M12 plug angled - free line end,
shielded, 8-pole, PVC-C**

P/N
142MNAD0XXX

2023/05/26
Version: E

Technical Data

General Data

| | |
|-------------------------------------|--|
| Fields of application | Industrial Ethernet |
| Design | Sensor/actuator connection cable M12, A-coded |
| Shielding | shielded |
| Transmission technology | Copper |
| Color coding fiber/ wire(s) | white, brown, green, yellow, gray, pink, blue, red |
| Color | gray |
| Dimensions | |
| Dimension - Interface 1 (L x W x H) | 33.5 mm x 37.5 mm x 15 mm |
| Dimension - Interface 1 (L x W x H) | 1.319 in. x 1.476 in. x 0.591 in. |
| Labeling option | identification label carrier |

Connections/interfaces

| | |
|---|----------------------|
| Connector technology interface 1 | M12-plug angled |
| Connector technology interface 2 | free line end |
| Coding interface 1 | A-coded |
| Number of positions/contacts interface 1 | 8 |
| Termination data, stranded wire (min. - max.) | |
| Conductor cross section, stranded wire | AWG 24/14 |
| Conductor cross section, stranded wire | 0.25 mm ² |
| Stranded wire structure | 14x0.15mm |
| Cable sheath diameter (min. - max.) | |
| Cable sheath diameter | 6.7 mm |
| Cable sheath diameter | 0.264 in. |

Electrical characteristics

| | |
|---------------------------|---------------|
| Current carrying capacity | 2 A at 40 °C |
| Rated voltage | 30 V |
| Insulation resistance | min. 100 MOhm |

P | Cabling

Data sheet

Page 3/6

**M12 Sensor/actuator cable, A-coded, X.X m,
M12 plug angled - free line end,
shielded, 8-pole, PVC-C**

P/N
142MNAD0XXX

2023/05/26
Version: E

Technical Data

Mechanical data

| | |
|----------------------------------|----------|
| Life - Number of mating cycles | min. 100 |
| Maximum operating bending radius | 67 mm |
| Alternating bending radius | 67 mm |

Materials and material properties

| | |
|---|-------------------|
| Material - Conductor | Cu (copper) |
| Material - Conductor Insulation | PVC |
| Material - Cable jacket | PVC |
| Material - Body interface 1 | Plastics |
| Material - Contact interface 1 | CuSn (tin bronze) |
| Material - Contact finish interface 1 | Au (gold) |
| Material - Contact carriers interface 1 | Plastics |
| Material - Union nut interface 1 | CuZnPb (brass) |
| Material - Union nut finish interface 1 | Ni (nickel) |
| UV-resistance | yes |
| RoHS | compliant |

Environmental conditions

| | |
|--------------------------------------|----------------------------------|
| Temperature (min. - max.) | |
| Temperature - Operating °C | -25 °C - 80 °C |
| Temperature - Operating °F | -13 °F - 176 °F |
| Temperature - Installation °C | 0 °C - 80 °C |
| Temperature - Installation °F | 32 °F - 176 °F |
| Particulate ingress interface 1 | IP6X when plugged in |
| Liquid ingress/immersion interface 1 | IPX5, IPX7, IPX8 when plugged in |
| Pollution degree interface 1 | 3 |

Approvals

| | |
|----------------------|------------------|
| UL listed (file no.) | Approval pending |
|----------------------|------------------|

P | Cabling

Data sheet

Page 4/6

**M12 Sensor/actuator cable, A-coded, X.X m,
M12 plug angled - free line end,
shielded, 8-pole, PVC-C**

**P/N
142MNAD0XXX**

2023/05/26
Version: E

Technical Data

Standards/Regulations

Connectors for electronic equipment

| | |
|--------------------|--------------------|
| circular connector | DIN EN 61076-2-101 |
|--------------------|--------------------|

Classifications

| | |
|----------|----------|
| ETIM 5.0 | EC001855 |
| ETIM 6.0 | EC001855 |
| ETIM 7.0 | EC001855 |
| ETIM 8.0 | EC001855 |

Packing details

| | |
|-------------------|-----------------------|
| Type of packaging | 1 pc(s) / plastic bag |
|-------------------|-----------------------|

P | Cabling

Data sheet

Page 5/6

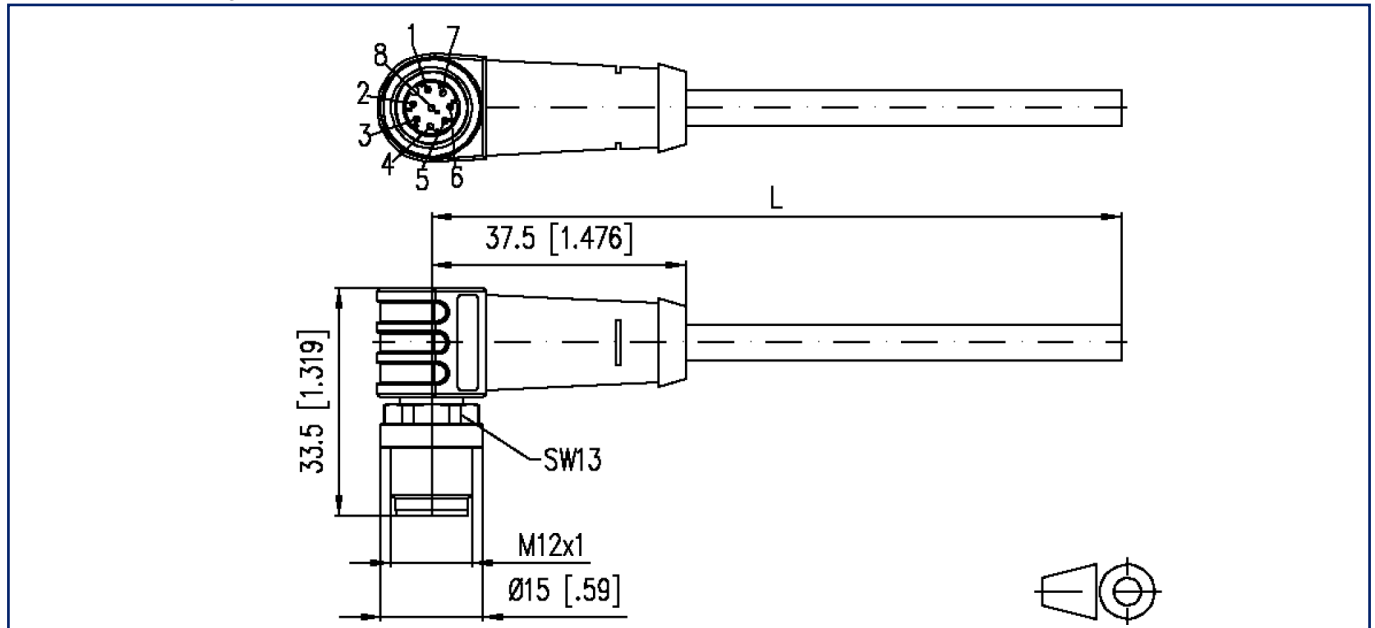
**M12 Sensor/actuator cable, A-coded, X.X m,
M12 plug angled - free line end,
shielded, 8-pole, PVC-C**

P/N
142MNAD0XXX

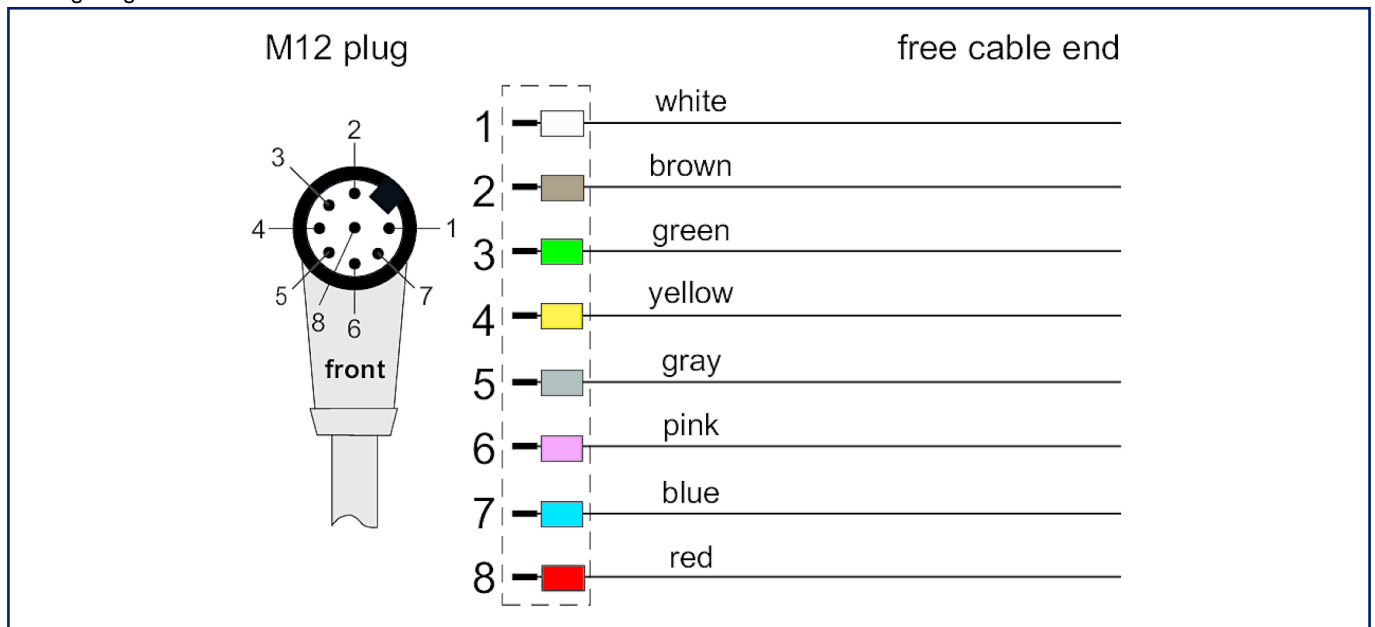
2023/05/26
Version: E

Illustrations

Dimensional drawing



Wiring diagram



P | Cabling

Data sheet

**M12 Sensor/actuator cable, A-coded, X.X m,
M12 plug angled - free line end,
shielded, 8-pole, PVC-C**

Page 6/6

P/N
142MNAD0XXX

2023/05/26
Version: E

Illustrations

Principle diagram

