

## Data sheet

### OpDAT Industry 2LC SM plug insert

Page 1/6

P/N

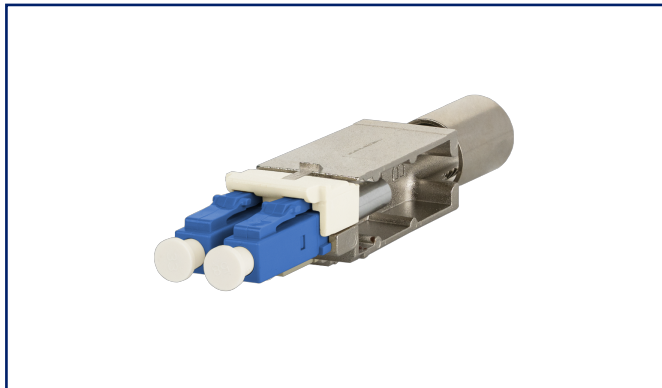
1402900820-I

EAN 4250184114178

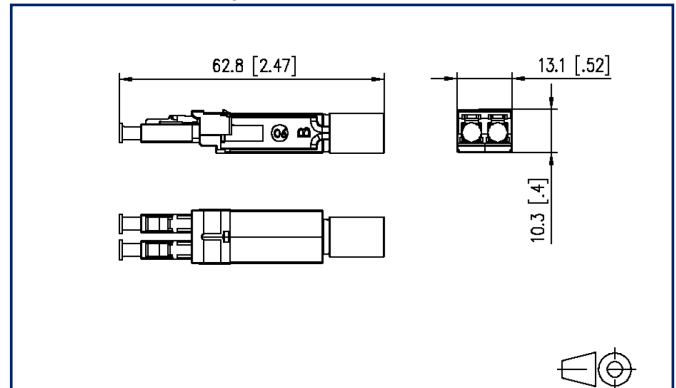
2023/04/05

Version: Z

## Illustrations



### Dimensional drawing



See enlarged drawings at the end of document

## Product specification

- 2LC plug for mounting in IP67 plug housing of variants 1, 4 and 14
- compliance with EN 50173-1 or ISO/IEC 24702 with regard to the limit values for insertion loss and reflection loss
- convex pre-polished pin made of zirconium oxide ceramics
- flame-retardant and halogen-free plastic pin body
- nickel-plated zinc die-cast plug receptacle
- fiber fastened by means of adhering
- cable fastened by means of crimping to pin body and/or to plug receptacle for breakout and mini breakout cables
- min. scope for tension relief 100 N
- anti-bend sleeve made of flame-retardant, halogen-free elastomer
- service life: min. 500 plug-in cycles
- operating temperature -40 °C to +70 °C
- variants: 2LC (SM), 2LC (MM)



# P | Cabling

Data sheet

Page 2/6

## OpDAT Industry 2LC SM plug insert

P/N

1402900820-I

EAN 4250184114178

2023/04/05

Version: Z

### Technical Data

#### General Data

Mechanical measurement according to MICE	M1
Ingress measurement according to MICE	I1
Climatic measurement according to MICE	C1
Electromagnetic measurement according to MICE	E3
Design	plug
Transmission technology	Fiber optic
Color	blue
Dimensions	
Dimension (L x W x H)	62.8 mm x 13.2 mm x 10.3 mm
Dimension (L x W x H)	2.472 in. x 0.52 in. x 0.406 in.
Mode type of the fiber	Singlemode
Convex preformed abutting face	yes
Labeling option	on housing

#### Connections/interfaces

Connector technology interface 1	Fast cure
Connector technology interface 2	LC
Single fibre diameter (min. - max.)	
Single fibre diameter	0.9 mm
Single fibre diameter	0.035 in. in. (inch)
Cable sheath diameter (min. - max.)	
Cable sheath diameter	5 mm - 10
Cable sheath diameter	0.197 in. - 0.394
Cable access/outlet	180°

#### Mechanical data

Cut-out	SC, LC-D, E2000
Connector type	duplex
Mounting method	snap-in function
Insertion and withdrawal force	max. 30 N
Life - Number of mating cycles	min. 500
Position/mounting of latch standard installation position	top
strain relief	Crimp sleeve



# P | Cabling

Data sheet

Page 3/6

## OpDAT Industry 2LC SM plug insert

P/N

1402900820-I

EAN 4250184114178

2023/04/05

Version: Z

### Technical Data

#### Materials and material properties

Material - Housing	GD-Zn (zinc die-cast)
Material - Housing finish	Ni (nickel)
Material - Insulating body	plastics, flame retardant and halogen free
Material - Strain relief	Cu (copper)
Material - Cable boot	elastomer, flame-retardant and halogen free
Material - Sleeve	ceramic, slotted
Material - Supporting body	GD-Zn (zinc die-cast)
Material - Supporting body finish	Ni (nickel)
Material - Crimp sleeve	Cu (copper)
Material - Crimp sleeve finish	Ni (nickel)
Material - Dust protection	Plastics
Halogen free	yes
RoHS	compliant

#### Environmental conditions

Temperature (min. - max.)	
Temperature - Storage °C	-40 °C - 70 °C
Temperature - Storage °F	-40 °F - 158 °F
Temperature - Operating °C	-40 °C - 70 °C
Temperature - Operating °F	-40 °F - 158 °F
Rapid change of temperature	-40°C / -40°F - 85°C / 185°F 25 cycles t=30 min
Damp heat	-40°C / -40°F / +85°C / 185°F rh max=85% / rh min=20% / 21 cycles

#### Standards/Regulations

Generic cabling systems	
General requirements	ISO/IEC 11801:2002   ANSI/TIA-568-C
Industrial area	ISO/IEC 24702 AMD 1   DIN EN 50173-3 ANSI/TIA-1005
Industrial communication networks Installation in industrial premises	DIN EN 61918 Draft
Connector sets and interconnect components to be used in optical fibre communication systems	DIN EN 50377-7

# P | Cabling

Data sheet

Page 4/6

## OpDAT Industry 2LC SM plug insert

P/N

1402900820-I

EAN 4250184114178

2023/04/05

Version: Z

### Technical Data

#### Classifications

ETIM 5.0	EC001122
ETIM 6.0	EC001122
ETIM 7.0	EC001122
ETIM 8.0	EC001122
ETIM 9.0	EC001122

#### Packing details

Type of packaging	10 pc(s) / box
Packaging unit - Weight (gram)	140 g
Packaging unit - Weight (pound)	0.31 lb
Packaging dimension	89 mm x 250 mm x 105 mm
Packaging dimension	3.504 in. x 9.843 in. x 4.134 in.



# P | Cabling

Data sheet

Page 5/6

## OpDAT Industry 2LC SM plug insert

P/N

1402900820-I

EAN 4250184114178

2023/04/05

Version: Z

### Accessories from

P/N	Designation
1401015000ME	Industry IP67 V1 metal plug housing
1401015002KE	Industry IP67 V1 plug housing
1401025000ME	Industry IP67 V1 metal plug housing bend protected
1401025002KE	Industry IP67 V1 plug housing bend protected
1401045002KE	Industry IP67 V4 plug housing
1401055002KE	Industry IP67 V4 plug housing bend protected
14010850F0ME	E-DAT Industry IP67 V14 plug housing for FO unequipped
14010950F0ME	E-DAT Industry IP67 V14 plug housing bend protected for FO unequipped



# P | Cabling

Data sheet

## OpDAT Industry 2LC SM plug insert

Page 6/6

P/N

1402900820-I

EAN 4250184114178

2023/04/05

Version: Z

### Illustrations

Dimensional drawing

