

Data sheet

OpDAT Industry 2SC MM plug insert

Page 1/6

P/N

1402500822-I

EAN 4250184124849

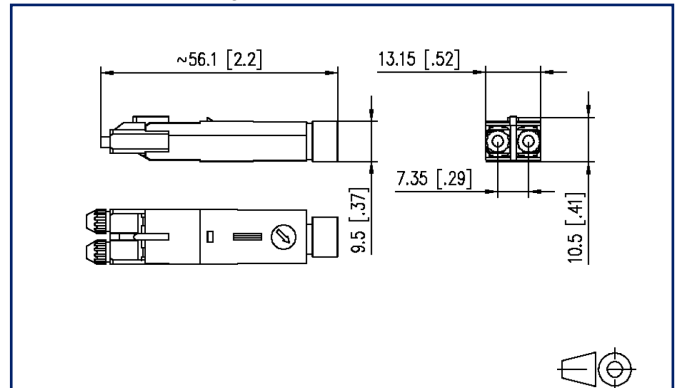
2023/04/05

Version: V

Illustrations



Dimensional drawing



See enlarged drawings at the end of document

Product specification

- SC-RJ/2SC plug for mounting in IP67 plug housing of variants 1, 4 and 14
- compliance with EN 50173-1 or ISO/IEC 24702 with regard to the limit values for insertion loss and reflection loss convex pre-polished pin made of zirconium oxide ceramics
- plastic plug body
- nickel-plated zinc die-cast plug receptacle
- fiber fastened by means of adhering
- cable fastened by means of crimping to pin body and/or to plug receptacle for breakout and mini breakout cables
- suitable for connection to cables acc. to PROFINET specification
- min. scope for tension relief 100 N
- anti-bend sleeve and dust protection cover made of flame-retardant, halogen-free elastomer
- Service life: min. 500 plug-in cycles
- operating temperature -40 °C...+65 °C
- variants: SC-RJ/2SC (SM), SC-RJ/2SC (MM), SC-RJ/2SC (POF)

Technical Data

General Data

Mechanical measurement according to MICE	M1
Ingress measurement according to MICE	I1
Climatic measurement according to MICE	C1
Electromagnetic measurement according to MICE	E3
Design	plug
Transmission technology	Fiber optic
Color	black
Dimensions	
Dimension (L x W x H)	56 mm x 13.15 mm x 10.5 mm
Dimension (L x W x H)	2.205 in. x 0.518 in. x 0.413 in.
Mode type of the fiber	Multimode
Convex preformed abutting face	yes
Labeling option	on housing

Connections/interfaces

Connector technology interface 1	Fast cure
Connector technology interface 2	SC
Cable sheath diameter (min. - max.)	
Cable sheath diameter	5 mm - 8.0
Cable sheath diameter	0.197 in. - 0.315
Cable access/outlet	180°

Electrical characteristics

Insertion loss	Multimode: max. 0,4 dB
Return loss	min. 40 dB

Mechanical data

Cut-out	SC, LC-D, E2000
Insertion and withdrawal force	max. 30 N
Life - Number of mating cycles	min. 750
strain relief	Crimp sleeve

P | Cabling

Data sheet

Page 3/6

OpDAT Industry 2SC MM plug insert

P/N

1402500822-I

EAN 4250184124849

2023/04/05

Version: V

Technical Data

Materials and material properties

Material - Housing	Plastics
Material - Insulating body	metal
Material - Finish of insulating body	Ni (nickel)
Material - Strain relief	Cu (copper)
Material - Cable boot	elastomer, flame-retardant and halogen free
Material - Sleeve	ceramic, slotted
Material - Ferrule	Ceramic
Material - Crimp sleeve	Cu (copper)
Material - Crimp sleeve finish	Ni (nickel)
Material - Dust protection	elastomer, flame-retardant and halogen free
Halogen free	yes
RoHS	compliant

Environmental conditions

Temperature (min. - max.)	
Temperature - Storage °C	-40 °C - 65 °C
Temperature - Storage °F	-40 °F - 149 °F
Temperature - Operating °C	-40 °C - 65 °C
Temperature - Operating °F	-40 °F - 149 °F

Standards/Regulations

Generic cabling systems	
Industrial area	ISO/IEC 24702 AMD 1 DIN EN 50173-3 ANSI/TIA-1005

Classifications

ETIM 5.0	EC001122
ETIM 6.0	EC001122
ETIM 7.0	EC001122
ETIM 8.0	EC001122
ETIM 9.0	EC001122

P | Cabling

Data sheet

Page 4/6

OpDAT Industry 2SC MM plug insert

P/N

1402500822-I

EAN 4250184124849

2023/04/05

Version: V

Technical Data

Packing details

Type of packaging	10 pc(s) / box
Packaging unit - Weight (gram)	60 g
Packaging unit - Weight (pound)	0.13 lb
Packaging dimension	89 mm x 250 mm x 105 mm
Packaging dimension	3.504 in. x 9.843 in. x 4.134 in.

P | Cabling

Data sheet

Page 5/6

OpDAT Industry 2SC MM plug insert

P/N

1402500822-I

EAN 4250184124849

2023/04/05

Version: V

Accessories from

P/N	Designation
1401015000ME	Industry IP67 V1 metal plug housing
1401015002KE	Industry IP67 V1 plug housing
1401025000ME	Industry IP67 V1 metal plug housing bend protected
1401025002KE	Industry IP67 V1 plug housing bend protected
1401045002KE	Industry IP67 V4 plug housing
1401055002KE	Industry IP67 V4 plug housing bend protected
14010850F0ME	E-DAT Industry IP67 V14 plug housing for FO unequipped
14010950F0ME	E-DAT Industry IP67 V14 plug housing bend protected for FO unequipped



P | Cabling

Data sheet

OpDAT Industry 2SC MM plug insert

Page 6/6

P/N

1402500822-I

EAN 4250184124849

2023/04/05

Version: V

Illustrations

Dimensional drawing

