

Data sheet**E-DAT Industry USB A 2.0 adapter insert**

Page 1/6

P/N

1401U00812KI

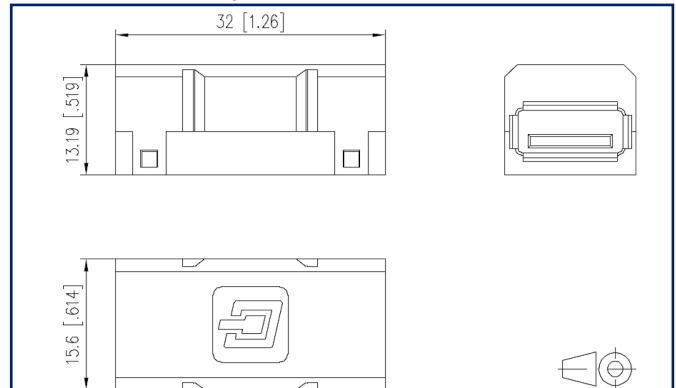
EAN 4250184119067

2023/04/05

Version: AG

Illustrations

Dimensional drawing



See enlarged drawings at the end of document

Product specification

- USB 2.0 coupler for converting USB connections or to connect two USB cables with USB-A connectors
- use for ingress protection IP67 in combination with flange var. 1, 4, 5 and 14
- use for ingress protection IP65 in combination with Universal test jack
- for service and test jacks complying with IP67
- jack A to jack A
- note: no IP67 connector available



Technical Data

General Data

Fields of application	Industrial Ethernet
Mechanical measurement according to MICE	M1
Ingress measurement according to MICE	I1
Climatic measurement according to MICE	C1
Electromagnetic measurement according to MICE	E1
Design	coupler / adapter (FO)
Transmission technology	Copper
Color	black
Dimensions	
Dimension (L x W x H)	32 mm x 15.6 mm x 13.19 mm
Dimension (L x W x H)	1.26 in. x 0.614 in. x 0.519 in.
Labeling option	on housing

Connections/interfaces

Connector technology interface 1	USB A-jack
Connector technology interface 2	USB A-jack
Number of ports interface 1	1
Number of ports interface 2	1
Number of equipped ports interface 1	1
Number of ports interface 2 equipped	1

Electrical characteristics

Current carrying capacity	max. 1 A
Contact resistance	max. 30 mOhm
Insulation resistance	min. 1000 MOhm

Mechanical data

Insertion and withdrawal force	max. 66 N
Life - Number of mating cycles	min. 1500

Technical Data

Materials and material properties

Material - Protective housing	PC UL94 V0
Material - Contact	PhBr (phosphor bronze)
Material - Contact finish	Ni + Au (nickel-gold)
Material - Shield	PhBr + Ni (phosphor bronze + nickel)
Halogen free	yes
RoHS	compliant

Environmental conditions

Temperature (min. - max.)	
Temperature - Storage °C	-40 °C - 70 °C
Temperature - Storage °F	-40 °F - 158 °F
Temperature - Operating °C	-40 °C - 70 °C
Temperature - Operating °F	-40 °F - 158 °F
Rapid change of temperature	-40°C / -40°F - +70°C / 158°F / 25 cycles t=30 min
Damp heat	+25°C / +77°F / +55 °C / +131°F 93% RH // -10°C / -14°F / 21 cycles
Flowing mixed gas	+25 °C / +77°F / 73% RH / 4 days, H2S / SO2
Vibration	50 m/s ²
Shock	250 m/s ²

Standards/Regulations

Generic cabling systems	
General requirements	ANSI/TIA-568-C
Office buildings	ISO/IEC 11801 Ed.2.2: 2011-06 DIN EN 50173-2 ANSI/TIA-568-C
Industrial area	ISO/IEC 24702 DIN EN 50173-3 ANSI/TIA-1005
Living units	ISO/IEC 15018 DIN EN 50173-4 ANSI/TIA-570-B
Application-specific communications cabling systems	
UL standard for Communications-Circuit Accessories	UL 1863
Emission proof	
Climate tests	IEC 60512-11

P | Cabling

Data sheet

Page 4/6

E-DAT Industry USB A 2.0 adapter insert

P/N

1401U00812KI

EAN 4250184119067

2023/04/05

Version: AG

Technical Data

Classifications

ETIM 5.0	EC001134
ETIM 6.0	EC001134
ETIM 7.0	EC001134
ETIM 8.0	EC001134
ETIM 9.0	EC001134

Packing details

Type of packaging	10 pc(s) / box
Packaging unit - Weight (gram)	60 g
Packaging unit - Weight (pound)	0.13 lb
Packaging dimension	155 mm x 105 mm x 60 mm
Packaging dimension	6.102 in. x 4.134 in. x 2.362 in.



Accessories from

P/N	Designation
130D2CMC6-E	DCCS2 subassembly 6 port RJ45 - cross connect
130D2CMM6-E	DCCS2 subassembly 6 port RJ45
130D2CMU6-E	DCCS2 subassembly 4 port unequipped for E-DAT Industry inserts
1401010110ME	E-DAT Industry IP67 V1 1 port metal outlet
1401010220ME	E-DAT Industry IP67 V1 2 port metal outlet
1401010620ME	E-DAT Industry IP67 V1 2 port metal surface mount housing
1401013300ME	Industry IP67 V1 metal bulkhead
1401013300ME-F5	Industry IP67 V1 metal bulkhead
1401013302KE	Industry IP67 V1 bulkhead
1401040110ME	E-DAT Industry IP67 V4 1 port metal outlet
1401040220ME	E-DAT Industry IP67 V4 2 port metal outlet
1401040620ME	E-DAT Industry IP67 V4 2 port metal surface mount housing
1401043302KE	Industry IP67 V4 bulkhead
1401060110ME	E-DAT Industry IP67 V5 1 port metal outlet
1401060320ME	E-DAT Industry IP67 V5 2 port metal surface mount housing
1401063300ME	Industry IP67 V5 metal bulkhead
14010833C0MC	E-DAT Industry IP67 V14 mounting flange, central screw mounting
14010833C0MN	E-DAT Industry IP67 V14 mounting flange, normative mounting
1401106113KE	E-DAT Industry terminal rail TS35 + RJ45 field jack insert Cat.6 Class E _A , T568A
1401206113KE	E-DAT Industry terminal rail TS35 + RJ45 coupler insert Cat.6 Class E _A
1401806113KE	E-DAT Industry terminal rail TS35 + RJ45 field jack insert Cat.6 Class E _A , T568B
1401906113KE	E-DAT Industry terminal rail TS35 + RJ45 field jack insert Cat.6 Class E _A , PROFINET
1401U06113KE	E-DAT Industry terminal rail TS35 + E-DAT Industry USB A 2.0 coupler insert
1401U16113KE	E-DAT Industry terminal rail TS35 + E-DAT Industry USB A 3.0 coupler insert
140UPB-E	E-DAT Industry universal test jack IP65, unequipped

P | Cabling

Data sheet

E-DAT Industry USB A 2.0 adapter insert

Page 6/6

P/N

1401U00812KI

EAN 4250184119067

2023/04/05

Version: AG

Illustrations

Dimensional drawing

