

Data sheet**E-DAT Industry IP20 bend protection, green**

Page 1/4

P/N

1401008207-E

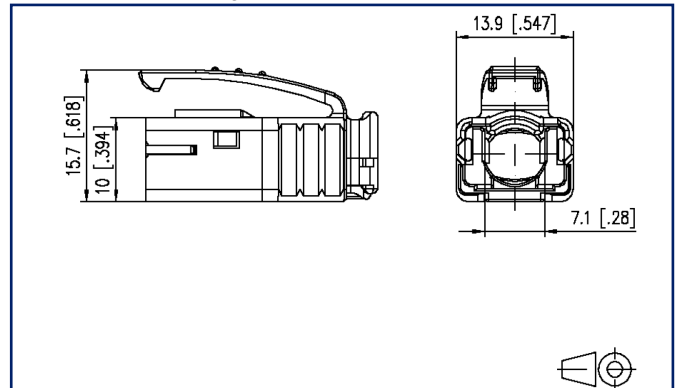
EAN 4250184113867

2023/03/30

Version: O

Illustrations

Dimensional drawing



See enlarged drawings at the end of document

Product specification

- molded snagless anti-bend sleeve for E-DAT Industry IP20 RJ45 plug
- trumpet-shaped bending protection of the connection cable
- retrofitting possible
- effective grip contours

- variants: white, light gray, blue, yellow, green, black, orange



P | Cabling

Data sheet

Page 2/4

E-DAT Industry IP20 bend protection, green

P/N

1401008207-E

EAN 4250184113867

2023/03/30

Version: O

Technical Data

General Data

| | |
|-----------------------------------------------|-----------------------|
| Mechanical measurement according to MICE | M1 |
| Ingress measurement according to MICE | I1 |
| Climatic measurement according to MICE | C1 |
| Electromagnetic measurement according to MICE | E3 |
| Design | cable boot |
| Mounting style | Accessories |
| Color | green |
| Dimensions | |
| Dimension (W x H) | 13.9 mm x 15.7 mm |
| Dimension (W x H) | 0.547 in. x 0.618 in. |

Materials and material properties

| | |
|--------------|-----------|
| Material | Plastics |
| Halogen free | yes |
| RoHS | compliant |

Classifications

| | |
|----------|----------|
| ETIM 5.0 | EC000766 |
| ETIM 6.0 | EC000766 |
| ETIM 7.0 | EC000766 |
| ETIM 8.0 | EC000766 |
| ETIM 9.0 | EC000766 |

Packing details

| | |
|---------------------------------|------------------------------------|
| Type of packaging | 10 pc(s) / plastic bag |
| Packaging unit - Weight (gram) | 28 g |
| Packaging unit - Weight (pound) | 0.06 lb |
| Packaging dimension | 160 mm x 100 mm x 380 mm |
| Packaging dimension | 6.299 in. x 3.937 in. x 14.961 in. |

P | Cabling

Data sheet

E-DAT Industry IP20 bend protection, green

Page 3/4

P/N

1401008207-E

EAN 4250184113867

2023/03/30

Version: O

Accessories from

| P/N | Designation |
|--------------|-----------------------------------------------------------|
| 1401505010-E | E-DAT Industry RJ45 plug Cat.6 Class E _A |
| 1401505012-E | E-DAT Industry RJ45 plug black Cat.6 Class E _A |



P | Cabling

Data sheet

E-DAT Industry IP20 bend protection, green

Page 4/4

P/N

1401008207-E

EAN 4250184113867

2023/03/30

Version: O

Illustrations

Dimensional drawing

