

Data sheet**E-DAT Industry IP20 bend protection, light gray**

Page 1/4

P/N

1401008203-E

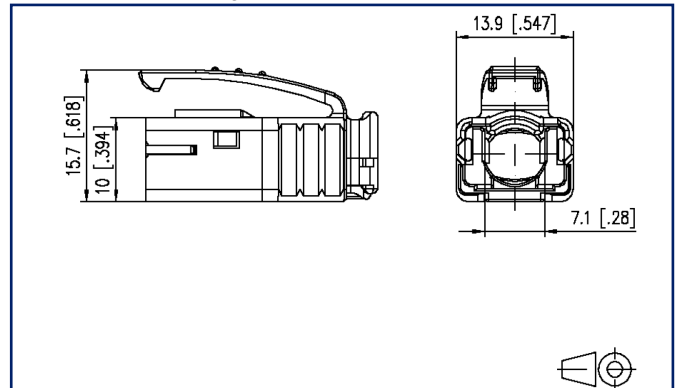
EAN 4250184113829

2023/03/30

Version: N

Illustrations

Dimensional drawing



See enlarged drawings at the end of document

Product specification

- molded snagless anti-bend sleeve for E-DAT Industry IP20 RJ45 plug
- trumpet-shaped bending protection of the connection cable
- retrofitting possible
- effective grip contours

- variants: white, light gray, blue, yellow, green, black, orange



P | Cabling

Data sheet

Page 2/4

E-DAT Industry IP20 bend protection, light gray

P/N

1401008203-E

EAN 4250184113829

2023/03/30

Version: N

Technical Data

General Data

Mechanical measurement according to MICE	M1
Ingress measurement according to MICE	I1
Climatic measurement according to MICE	C1
Electromagnetic measurement according to MICE	E3
Design	cable boot
Mounting style	Accessories
Color	light gray
Dimensions	
Dimension (W x H)	13.9 mm x 15.7 mm
Dimension (W x H)	0.547 in. x 0.618 in.

Materials and material properties

Material	Plastics
Halogen free	yes
RoHS	compliant

Classifications

ETIM 5.0	EC000766
ETIM 6.0	EC000766
ETIM 7.0	EC000766
ETIM 8.0	EC000766
ETIM 9.0	EC000766

Packing details

Type of packaging	10 pc(s) / plastic bag
Packaging unit - Weight (gram)	28 g
Packaging unit - Weight (pound)	0.06 lb
Packaging dimension	160 mm x 100 mm x 380 mm
Packaging dimension	6.299 in. x 3.937 in. x 14.961 in.

P | Cabling

Data sheet

Page 3/4

E-DAT Industry IP20 bend protection, light gray

P/N

1401008203-E

EAN 4250184113829

2023/03/30

Version: N

Accessories from

P/N	Designation
1401505010-E	E-DAT Industry RJ45 plug Cat.6 Class E _A
1401505012-E	E-DAT Industry RJ45 plug black Cat.6 Class E _A



P | Cabling

Data sheet

E-DAT Industry IP20 bend protection, light gray

Page 4/4

P/N

1401008203-E

EAN 4250184113829

2023/03/30

Version: N

Illustrations

Dimensional drawing

