

## Data sheet

### DCCS2 subassembly 4 port unequipped for E-DAT Industry inserts

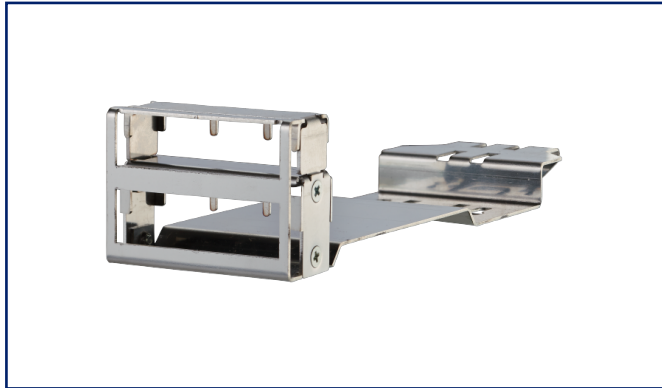
P/N  
130D2CMU6-E

EAN 4250184193821

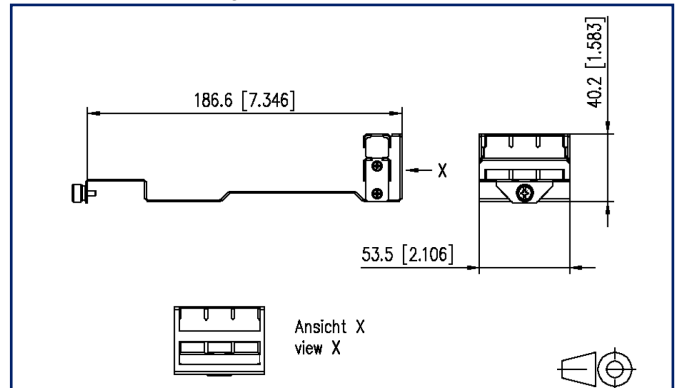
2023/04/14

Version: F

## Illustrations



Dimensional drawing



See enlarged drawings at the end of document

## Product specification

- DCCS2 subassembly 6 port unequipped for E-DAT Industry Inserts
- solid stainless steel support
- fastening and potential equalization in 19-inch subracks by a knurled screw
- easy mounting/dismounting to/from 19-inch subracks in 19-inch cabinets (plug and play)
- design: DCCS2
- suitable RJ45 modules: 1401100810MI, 1401800810MI and 140190081MI
- suitable RJ45 couplers: 1401200810MI
- suitable USB couplers: 1401U00812KI (USB2 A/A) and 1401U10812KI (USB3 A/A)



# P | Cabling

Data sheet

Page 2/4

## DCCS2 subassembly 4 port unequipped for E-DAT Industry inserts

P/N

130D2CMU6-E

EAN 4250184193821

2023/04/14

Version: F

### Technical Data

#### General Data

Fields of application	data center
Mechanical measurement according to MICE	M1
Ingress measurement according to MICE	I1
Climatic measurement according to MICE	C1
Electromagnetic measurement according to MICE	E2
Design	subassembly / assembly / module / unit
Mounting style	DCCS
Color	stainless steel

#### Connections/interfaces

Number of ports interface 1	6
Number of equipped ports interface 1	0
Number of ports interface 2	6
Number of ports interface 2 equipped	0

#### Mechanical data

strain relief	cable tie
---------------	-----------

#### Materials and material properties

Material - Housing	stainless steel
Halogen free	yes
RoHS	compliant

#### Classifications

ETIM 5.0	EC002697
ETIM 6.0	EC002697
ETIM 7.0	EC002697
ETIM 8.0	EC002697
ETIM 9.0	EC002697

#### Packing details

Type of packaging	1 pc(s) / box
Packaging dimension	230 mm x 60 mm x 45 mm
Packaging dimension	9.055 in. x 2.362 in. x 1.772 in.

# P | Cabling

Data sheet

Page 3/4

## DCCS2 subassembly 4 port unequipped for E-DAT Industry inserts

P/N

130D2CMU6-E

EAN 4250184193821

2023/04/14

Version: F

### Accessories

P/N	Designation
130D2B1B-E	DCCS2 BGT 19 inch 1RU subrack black
130D2B1G-E	DCCS2 BGT 19 inch 1RU subrack light gray
1401100810MI	E-DAT Industry RJ45 field jack insert Cat.6 Class E <sub>A</sub> , T568A
1401200810MI	E-DAT Industry RJ45 coupler insert Cat.6 Class E
1401800810MI	E-DAT Industry RJ45 field jack insert Cat.6 Class E <sub>A</sub> , T568B
1401U00812KI	E-DAT Industry USB A 2.0 adapter insert
1401U10812KI	E-DAT Industry USB A 3.0 adapter insert



# P | Cabling

Data sheet

Page 4/4

## DCCS2 subassembly 4 port unequipped for E-DAT Industry inserts

P/N

130D2CMU6-E

EAN 4250184193821

2023/04/14

Version: F

### Illustrations

Dimensional drawing

