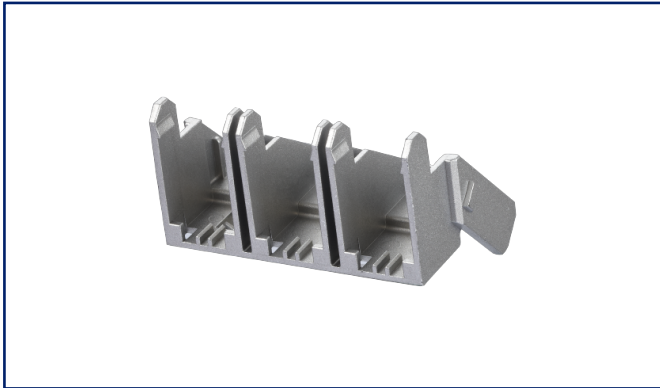
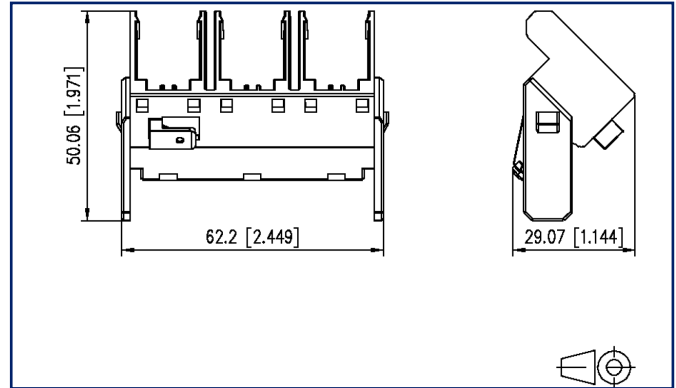


Data sheet
Subway 3 port module frame

Page 1/4

P/N
1309330300-E
EAN **4250184106333**
2023/03/30
Version: K**Illustrations**

Dimensional drawing



See enlarged drawings at the end of document

Product specification

- zinc die-cast module frame, with connecting contact for shared equipotential bonding
- for 3 individual modules in Modul design



P | Cabling

Data sheet Subway 3 port module frame

Page 2/4

P/N
1309330300-E
EAN 4250184106333
2023/03/30
Version: K

Technical Data

General Data

Mechanical measurement according to MICE	M1
Ingress measurement according to MICE	I1
Climatic measurement according to MICE	C1
Electromagnetic measurement according to MICE	E3
Design	module frame
Mounting style	Accessories
Color	metallike
Dimensions	
Dimension (L x W x H)	29.07 mm x 62.2 mm x 50.06 mm
Dimension (L x W x H)	1.144 in. x 2.449 in. x 1.971 in.

Materials and material properties

Material	GD-Zn (zinc die-cast)
Halogen free	yes
RoHS	compliant

Approvals

UL listed (file no.)		DUXR.E178484
----------------------	--	--------------

Classifications

ETIM 5.0	EC001264
ETIM 6.0	EC001264
ETIM 7.0	EC002608
ETIM 8.0	EC002608
ETIM 9.0	EC002608

Packing details

	200 pc(s)
Packaging unit - Weight (gram)	11 g
Packaging unit - Weight (pound)	0.02 lb
Packaging dimension	400 mm x 300 mm x 325 mm
Packaging dimension	15.748 in. x 11.811 in. x 12.795 in.

P | Cabling

Data sheet

Page 3/4

Subway 3 port module frame

P/N

1309330300-E

EAN 4250184106333

2023/03/30

Version: K

Accessories from

P/N	Designation
1309300001-E	Subway underfloor unit GB2 unequipped black
1309300301-E	E-DAT subway 3 port GB2 pearl white
1309300601-E	E-DAT subway 6 port GB2 pearl white
1309300901-E	E-DAT subway 9 port GB2 pearl white
1309310001-E	Subway underfloor unit GB3 unequipped black
1309310301-E	E-DAT subway 3 port GB3 pearl white
1309310601-E	E-DAT subway 6 port GB3 pearl white
1309310901-E	E-DAT subway 9 port GB3 pearl white
1309311201-E	E-DAT subway 12 port GB3 pearl white
1309350301-E	Subway underfloor unit GB2 Modul 3 port unequipped pearl white
1309350601-E	Subway underfloor unit GB2 Modul 6 port unequipped pearl white
1309350901-E	Subway underfloor unit GB2 Modul 9 port unequipped pearl white
1309360301-E	Subway underfloor unit GB3 Modul 3 port unequipped pearl white
1309360601-E	Subway underfloor unit GB3 Modul 6 port unequipped pearl white
1309360901-E	Subway underfloor unit GB3 Modul 9 port unequipped pearl white
1309361201-E	Subway underfloor unit GB3 Modul 12 port unequipped pearl white
130B11S30201-E	C6 _A modul 3 port 180°M GB2 pearl white
130B11S30301-E	C6 _A modul 3 port 180°M GB3 pearl white
130B11S60201-E	C6 _A modul 6 port 180°M GB2 pearl white
130B11S60301-E	C6 _A modul 6 port 180°M GB3 pearl white
130B11S90201-E	C6 _A modul 9 port 180°M GB2 pearl white
130B11S90301-E	C6 _A modul 9 port 180°M GB3 pearl white
130B11SA0301-E	C6 _A modul 12 port 180°M GB3 pearl white

P | Cabling

Data sheet

Subway 3 port module frame

Page 4/4

P/N

1309330300-E

EAN 4250184106333

2023/03/30

Version: K

Illustrations

Dimensional drawing

