

P | Cabling

Data sheet

UAE 25x8(8) Cat.3 patch panel

Page 1/6

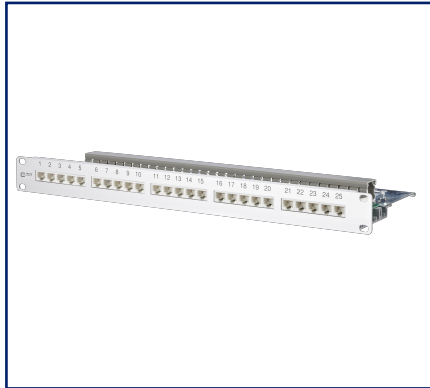
P/N
130887-E

EAN 4250184105091

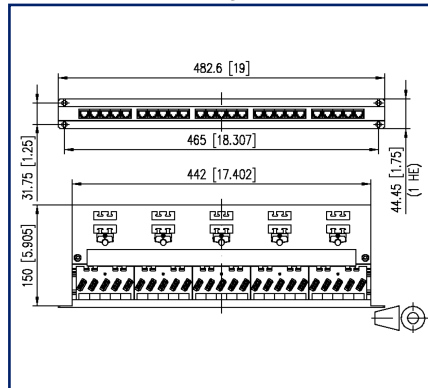
2023/04/18

Version: U

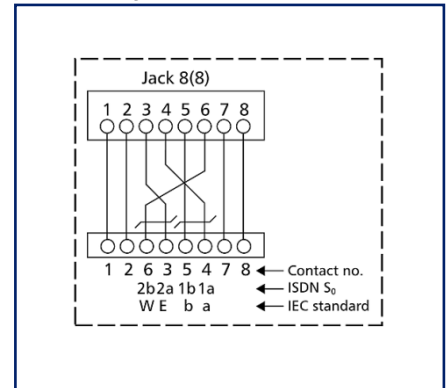
Illustrations



Dimensional drawing



Circuit diagram



See enlarged drawings at the end of document

Product specification

- 19 inch 1RU Cat.3 patch panel with 25 RJ45 jacks
- 19 inch module frame made of silver anodized aluminum
- one to four-pair connection lines connected to LSA-PLUS® insulation displacement connectors (AWG 22-26)
- suitable cable types for 25 x 8(8): 10 x 10 DC, 4 x 50 DC, 2 x 50 DC (DC=double conductor)
- suitable cable types for 25 x 8(4): 5 x 10 DC, 2 x 25 DC, 1 x 50 DC (DC=double conductor)
- pin assignment to ISO/IEC 11801/EN 50173-1
- wire pairs can be led to the terminal without untwisting the pair
- strain relief by means of cable ties (not included in the delivery) on rear cable support
- cable duct to lay double conductors clearly arranged
- 5 clamping sheets for drain wire, grounding bolt M6
- variants: 25 x 8(8), 25 x 8(4)



P | Cabling

Data sheet

Page 2/6

UAE 25x8(8) Cat.3 patch panel

P/N
130887-E

EAN 4250184105091

2023/04/18

Version: U

Technical Data

General Data

Fields of application	structured building cabling office areas Distributed building services data center
Mechanical measurement according to MICE	M1
Ingress measurement according to MICE	I1
Climatic measurement according to MICE	C1
Electromagnetic measurement according to MICE	E1
Design	patch panel
Mounting style	1RU
Transmission technology	Copper
Color	anodized alu.
Dimensions	
Dimension (L x W x H)	150 mm x 482.6 mm x 44.45 mm
Dimension (L x W x H)	5.906 in. x 19 in. x 1.75 in.
Inches	19 inches
Height unit	1RU
Labeling option	printed numbers

Transmission characteristics

Category (ISO)	3
Category (TIA)	3
PoE	IEEE 802.3af

Connections/interfaces

Connector technology interface 1	LSA terminal block
Connector technology interface 2	RJ45-jack
Number of ports interface 2	25
Number of ports interface 2 equipped	25
Number of positions/contacts interface 1	25 x 8P/8C
Number of positions/contacts interface 2	25 x 8P/8C

P | Cabling

Data sheet

Page 3/6

UAE 25x8(8) Cat.3 patch panel

P/N

130887-E

EAN 4250184105091

2023/04/18

Version: U

Technical Data

Connections/interfaces

Termination data, solid wire (min. - max.)

Conductor cross section, solid wire	AWG 26/1 - AWG 22/1
Conductor cross section, solid wire	0.128 mm ² - 0.324 mm ²
Conductor diameter, solid wire (bare copper)	0.409 mm - 0.643 mm
Conductor diameter, solid wire (bare copper)	0.016 in. - 0.025 in.
Core diameter (min. - max.)	
Core diameter (conductor with insulation)	0.7 mm - 1.4 mm
Core diameter (conductor with insulation)	0.028 in. - 0.055 in.
Ground connection	grounding bolt M6x10 with nut and lock washer

Mechanical data

Insertion and withdrawal force	max. 20 N
Life - Number of mating cycles	min. 750
Position/mounting of latch standard installation position	bottom
strain relief	yes

Materials and material properties

Material - Module support	Al (Aluminium)
Material - Module support finish	silver anodized
Halogen free	yes
RoHS	compliant

Environmental conditions

Temperature (min. - max.)	
Temperature - Storage °C	-40 °C - 70 °C
Temperature - Storage °F	-40 °F - 158 °F
Temperature - Operating °C	-40 °C - 70 °C
Temperature - Operating °F	-40 °F - 158 °F

P | Cabling

Data sheet

Page 4/6

UAE 25x8(8) Cat.3 patch panel

P/N
130887-E

EAN 4250184105091

2023/04/18

Version: U

Technical Data

Standards/Regulations

Generic cabling systems

General requirements	ISO/IEC 11801-1:2017-11 DIN EN 50173-1:2018-10 ANSI/TIA-568.2-D
----------------------	--

Classifications

ETIM 5.0	EC001128
ETIM 6.0	EC001128
ETIM 7.0	EC001128
ETIM 8.0	EC001128
ETIM 9.0	EC001128

Packing details

Type of packaging	1 pc(s) / box
Packaging unit - Weight (gram)	1550 g
Packaging unit - Weight (pound)	3.42 lb
Packaging dimension	520 mm x 180 mm x 46 mm
Packaging dimension	20.472 in. x 7.087 in. x 1.811 in.

P | Cabling

Data sheet

UAE 25x8(8) Cat.3 patch panel

Page 5/6

P/N

130887-E

EAN 4250184105091

2023/04/18

Version: U

Accessories

P/N	Designation
130792	Mounting kit, cage nuts M6
130818-E	Crimp Tool LSA-PLUS®



P | Cabling

Data sheet

UAE 25x8(8) Cat.3 patch panel

Page 6/6

P/N
130887-E

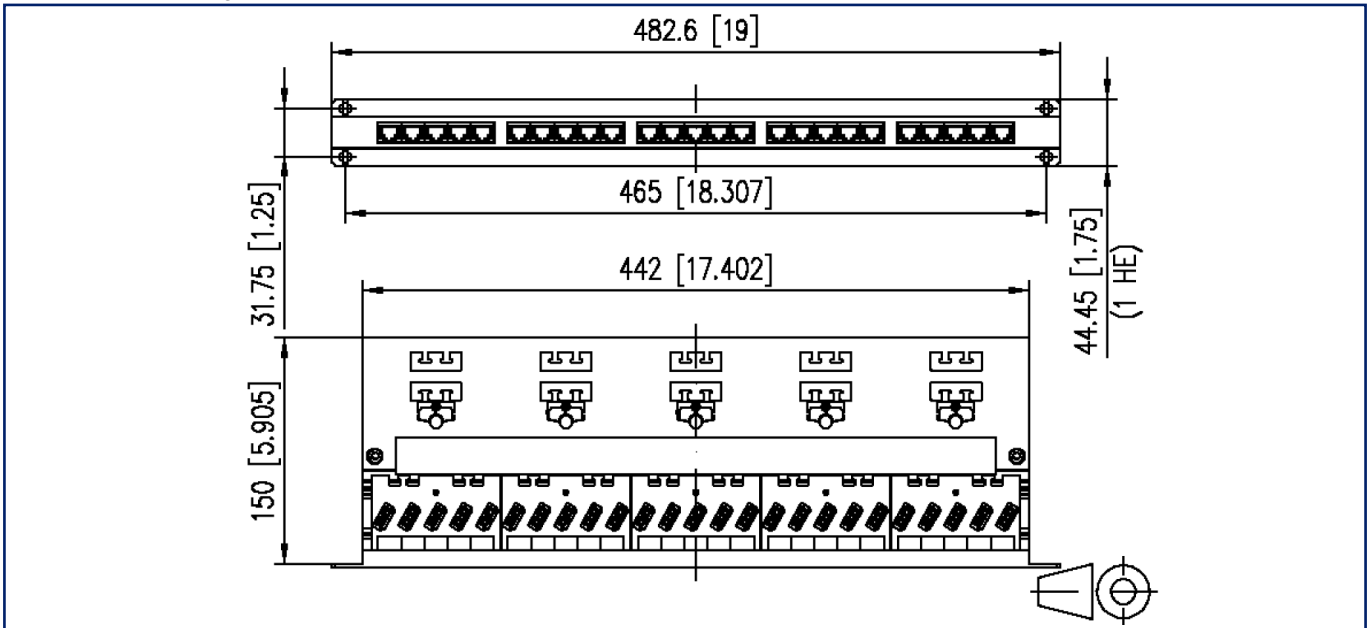
EAN 4250184105091

2023/04/18

Version: U

Illustrations

Dimensional drawing



Circuit diagram

