

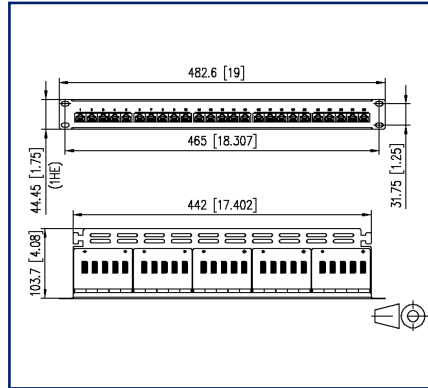
Data sheet

UAE 25x8(4) Cat.3 patch panel, steel black

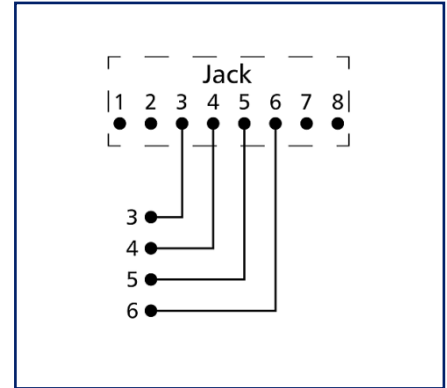
Illustrations



Dimensional drawing



Circuit diagram



See enlarged drawings at the end of document

Product specification

- 19 inch 1RU Cat.3 patch panel with 25 RJ45 jacks 8(4)
- 19 inch module frame made steel sheet, painted in black
- connection lines connected to LSA-PLUS® insulation displacement connectors (AWG 22-26)
- suitable for diameters of 0.4 to 0.06 mm
- suitable cable types: 5 x 10 DC, 2 x 25 DC, 1 x 50 DC (DC=double conductor)
- pin assignment to ISO/IEC 11801/EN 50173-1, the wire pairs can be led to the terminal without untwisting the pairs
- strain relief by means of cable ties on rear cable support

P | Cabling

Data sheet

Page 2/6

UAE 25x8(4) Cat.3 patch panel, steel black

P/N

130814-0203-E

EAN 4250184142577

2023/04/18

Version: AA

Technical Data

General Data

Fields of application	structured building cabling office areas Distributed building services data center
Mechanical measurement according to MICE	M1
Ingress measurement according to MICE	I1
Climatic measurement according to MICE	C1
Electromagnetic measurement according to MICE	E1
Design	patch panel
Mounting style	1RU
Transmission technology	Copper
Color	black
Dimensions	
Dimension (L x W x H)	104.9 mm x 441.4 mm x 44.3 mm
Dimension (L x W x H)	4.13 in. x 17.378 in. x 1.744 in.
Inches	19 inches
Height unit	1RU
Labeling option	printed numbers

Transmission characteristics

Category (ISO)	3
Category (TIA)	3
PoE	IEEE 802.3af

Connections/interfaces

Connector technology interface 1	LSA terminal block
Connector technology interface 2	RJ45-jack
Number of ports interface 2	25
Number of ports interface 2 equipped	25
Number of positions/contacts interface 1	25 x 4P/4C
Number of positions/contacts interface 2	25 x 8P/4C

P | Cabling

Data sheet

Page 3/6

UAE 25x8(4) Cat.3 patch panel, steel black

P/N

130814-0203-E

EAN 4250184142577

2023/04/18

Version: AA

Technical Data

Connections/interfaces

Termination data, solid wire (min. - max.)

Conductor cross section, solid wire	AWG 26/1 - AWG 22/1
Conductor cross section, solid wire	0.128 mm ² - 0.324 mm ²
Conductor diameter, solid wire (bare copper)	0.409 mm - 0.643 mm
Conductor diameter, solid wire (bare copper)	0.016 in. - 0.025 in.
Core diameter (min. - max.)	
Core diameter (conductor with insulation)	0.7 mm - 1.4 mm
Core diameter (conductor with insulation)	0.028 in. - 0.055 in.

Mechanical data

Insertion and withdrawal force	max. 20 N
Life - Number of mating cycles	min. 250
Position/mounting of latch standard installation position	top

Materials and material properties

Material - Module support	sheet steel
Halogen free	yes
RoHS	compliant

Environmental conditions

Temperature (min. - max.)	
Temperature - Storage °C	-40 °C - 70 °C
Temperature - Storage °F	-40 °F - 158 °F
Temperature - Operating °C	-40 °C - 70 °C
Temperature - Operating °F	-40 °F - 158 °F

Standards/Regulations

Generic cabling systems	
General requirements	ISO/IEC 11801-1:2017-11 DIN EN 50173-1:2018-10 ANSI/TIA-568.2-D

P | Cabling

Data sheet

Page 4/6

UAE 25x8(4) Cat.3 patch panel, steel black

P/N

130814-0203-E

EAN 4250184142577

2023/04/18

Version: AA

Technical Data

Classifications

ETIM 5.0	EC001128
ETIM 6.0	EC001128
ETIM 7.0	EC001128
ETIM 8.0	EC001128
ETIM 9.0	EC001128

Packing details

Type of packaging	1 pc(s) / box
Packaging unit - Weight (gram)	1270 g
Packaging unit - Weight (pound)	2.8 lb
Packaging dimension	555 mm x 160 mm x 80 mm
Packaging dimension	21.85 in. x 6.299 in. x 3.15 in.

P | Cabling

Data sheet

Page 5/6

UAE 25x8(4) Cat.3 patch panel, steel black

P/N

130814-0203-E

EAN 4250184142577

2023/04/18

Version: AA

Accessories

P/N	Designation
130792	Mounting kit, cage nuts M6
130818-E	Crimp Tool LSA-PLUS®



P | Cabling

Data sheet

UAE 25x8(4) Cat.3 patch panel, steel black

Page 6/6

P/N

130814-0203-E

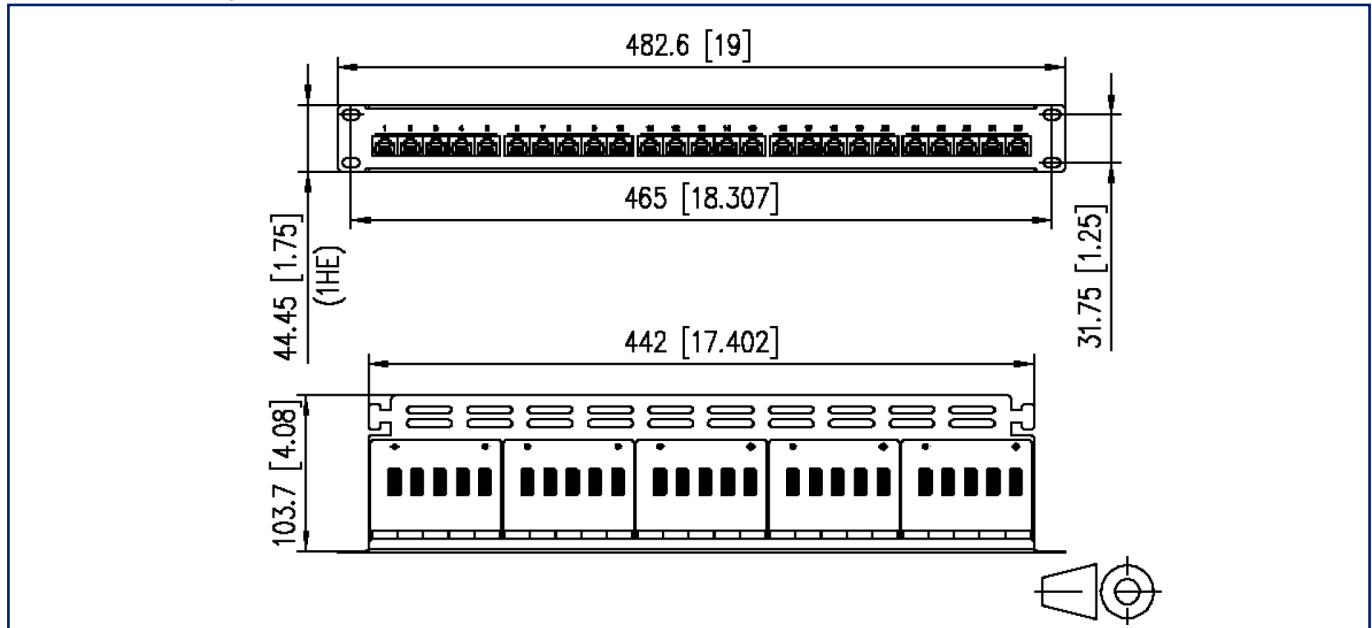
EAN 4250184142577

2023/04/18

Version: AA

Illustrations

Dimensional drawing



Circuit diagram

