

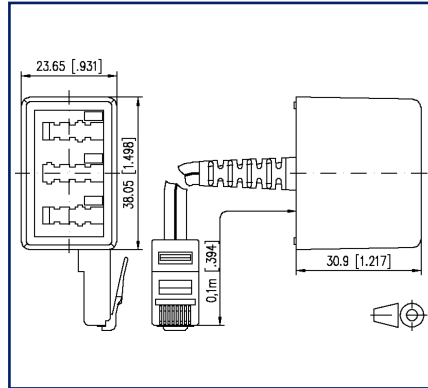
Data sheet

UAE adapter with 0.1 m cable WE 8 - NFN

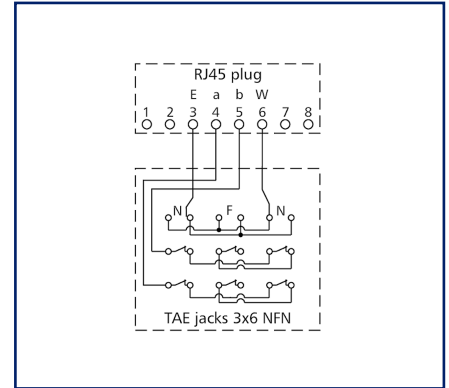
Illustrations



Dimensional drawing



Wiring diagram



See enlarged drawings at the end of document

Product specification

- UAE adapter to connect analog terminals with different pin assignments to universal cabling of the building
- input: RJ45 IEC standard EabW
- output: TAE socket NFN
- extension: 0.1 m or 6.0 m
- variants: 0.1 m, 6.0 m

P | Cabling

Data sheet

Page 2/4

UAE adapter with 0.1 m cable WE 8 - NFN

P/N

130450440101-E

EAN 4250184102038

2023/04/05

Version: AC

Technical Data

General Data

Mechanical measurement according to MICE	M1
Ingress measurement according to MICE	I1
Climatic measurement according to MICE	C1
Electromagnetic measurement according to MICE	E1
Design	Adapter
Shielding	unshielded
Transmission technology	Copper
Color	pearl white RAL 1013
Dimensions	
Dimension (L x W x H)	30.9 mm x 38.05 mm x 23.65 mm
Dimension (L x W x H)	1.217 in. x 1.498 in. x 0.931 in.
Labeling option	on housing

Connections/interfaces

Connector technology interface 1	RJ45 plug
Connector technology interface 2	TAE-jacks 3x6 NFN
Number of ports interface 2	3
Number of ports interface 2 equipped	3
Number of positions/contacts interface 1	8P/4C
Number of positions/contacts interface 2	3 x 6
Cable access/outlet	180°
Connection cable length	0.1 m
Connection cable length	0.33 ft

Electrical characteristics

Contact resistance	max. 20 mOhm
Through resistance	max. 60 mOhm
Insulation resistance	min. 200 MOhm

P | Cabling

Data sheet

Page 3/4

UAE adapter with 0.1 m cable WE 8 - NFN

P/N

130450440101-E

EAN 4250184102038

2023/04/05

Version: AC

Technical Data

Mechanical data

Insertion and withdrawal force	0.9 N
Life - Number of mating cycles	min. 1500

Materials and material properties

Halogen free	yes
RoHS	compliant

Environmental conditions

Temperature (min. - max.)	
Temperature - Storage °C	-40 °C - 70 °C
Temperature - Storage °F	-40 °F - 158 °F
Temperature - Operating °C	-40 °C - 70 °C
Temperature - Operating °F	-40 °F - 158 °F
Vibration	50 m/s ²
Shock	150 m/s ²

Classifications

ETIM 5.0	EC000313
ETIM 6.0	EC000313
ETIM 7.0	EC000313
ETIM 8.0	EC000313
ETIM 9.0	EC000313

Packing details

Type of packaging	1 pc(s) / box
Packaging unit - Weight (gram)	40 g
Packaging unit - Weight (pound)	0.09 lb
Packaging dimension	83 mm x 32 mm x 67 mm
Packaging dimension	3.268 in. x 1.26 in. x 2.638 in.

P | Cabling

Data sheet

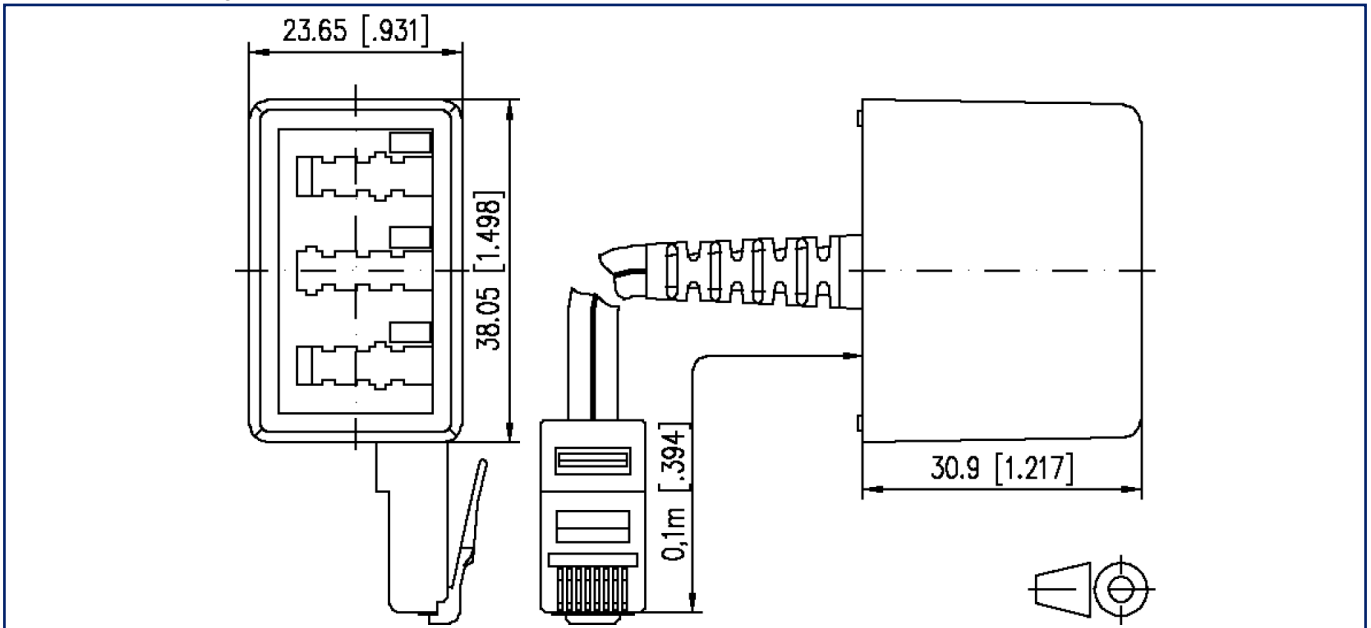
Page 4/4

UAE adapter with 0.1 m cable WE 8 - NFN

P/N
130450440101-E
EAN 4250184102038
2023/04/05
Version: AC

Illustrations

Dimensional drawing



Wiring diagram

