

# P | Cabling

## Data sheet

**M12 Sensor/actuator cable, A-coded, 2.0 m,  
M12 plug straight - free line end,  
shielded, 8-pole, PUR-C**

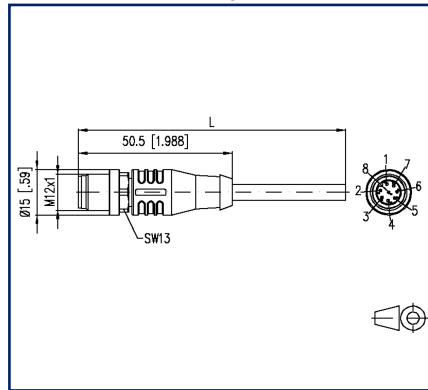
Page 1/6

P/N  
**142MHA10020**  
EAN **4251394646404**  
2023/05/22  
Version: F

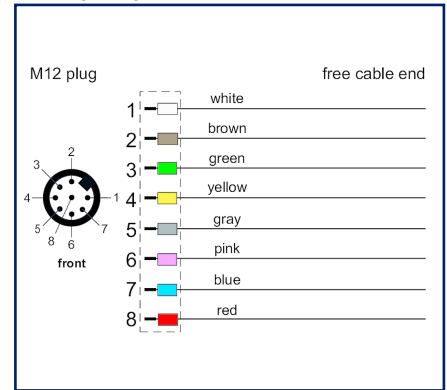
### Illustrations



Dimensional drawing



Wiring diagram



See enlarged drawings at the end of document

### Product specification

Flexible, silicone- and halogen-free control cable with high mechanical strength. The cable is resistant to chemicals, hydrolysis and microbes. The drag-chain application is possible at a bending radius of minimum 10xd. Due to its weld-field immunity, the cable is very well suited for the flexible application in robotics, machine tools and metal-cutting production. The cables meet the UL and CSA (UL10493/20549; cULus) requirements. Special features: flame retardant, seawater resistant, recyclable, LABS free, RoHs compliant, acid and alkali resistant, ozone resistant, UV resistant, hydrolysis proof, drag chain resistant, torsion resistant, welding sparks resistant, halogen free, silicone free, oil resistant

- Standard variants: 1.0 m, 2.0 m, 5.0 m, 10.0 m.
- Other cable lengths on request.

# P | Cabling

Data sheet

Page 2/6

**M12 Sensor/actuator cable, A-coded, 2.0 m,  
M12 plug straight - free line end,  
shielded, 8-pole, PUR-C**

P/N  
**142MHA10020**  
EAN 4251394646404  
2023/05/22  
Version: F

## Technical Data

### General Data

|                                     |  |
|-------------------------------------|--|
| Fields of application               | Industrial Ethernet                                |
| Design                              | Sensor/actuator connection cable M12, A-coded      |
| Shielding                           | shielded   |
| Transmission technology             | Copper   |
| Color coding fiber/ wire(s)         | white, brown, green, yellow, gray, pink, blue, red |
| Color                               | black  |
| Dimensions                          |  |
| Dimension - Interface 1 (L x W x H) | 50.5 mm x 15 mm x 15 mm                            |
| Dimension - Interface 1 (L x W x H) | 1.988 in. x 0.591 in. x 0.591 in.                  |
| Cable length (m)                    | 2 m  |
| Cable length (ft)                   | 6.56 ft  |
| Labeling option                     | identification label carrier                       |

### Connections/interfaces

|   |                      |
|---|----------------------|
| Connector technology interface 1              | M12-plug             |
| Connector technology interface 2              | free line end        |
| Coding interface 1                            | A-coded              |
| Number of positions/contacts interface 1      | 8                    |
| Termination data, stranded wire (min. - max.) |                      |
| Conductor cross section, stranded wire        | AWG 24/32            |
| Conductor cross section, stranded wire        | 0.25 mm <sup>2</sup> |
| Stranded wire structure                       | 32x0.10mm            |
| Cable sheath diameter (min. - max.)           |                      |
| Cable sheath diameter                         | 6.3 mm               |
| Cable sheath diameter                         | 0.248 in.            |

### Electrical characteristics

|                           |               |
|---------------------------|---------------|
| Current carrying capacity | 2 A at 40 °C  |
| Rated voltage             | 30 V          |
| Insulation resistance     | min. 100 MOhm |

# P | Cabling

Data sheet

Page 3/6

**M12 Sensor/actuator cable, A-coded, 2.0 m,  
M12 plug straight - free line end,  
shielded, 8-pole, PUR-C**

P/N  
142MHA10020  
EAN 4251394646404  
2023/05/22  
Version: F

## Technical Data

### Mechanical data

|                                  |                                  |
|----------------------------------|----------------------------------|
| Life - Number of mating cycles   | min. 100                         |
| Torsion                          | +/-180°/m, >= 0.5 million cycles |
| Maximum operating bending radius | 75.6 mm                          |
| Alternating bending radius       | 75 mm                            |
| acceleration                     | 5 m/s <sup>2</sup>               |

### Materials and material properties

|   |                   |
|---|-------------------|
| Material - Conductor                    | Cu (copper)       |
| Material - Conductor Insulation         | polypropylene     |
| Material - Cable jacket                 | PUR               |
| Material - Body interface 1             | Plastics          |
| Material - Contact interface 1          | CuSn (tin bronze) |
| Material - Contact finish interface 1   | Au (gold)         |
| Material - Contact carriers interface 1 | Plastics          |
| Material - Union nut interface 1        | CuZnPb (brass)    |
| Material - Union nut finish interface 1 | Ni (nickel)       |
| Flame retardancy                        | yes               |
| Halogen free                            | yes               |
| Oil resistance                          | yes               |
| UV-resistance                           | yes               |
| drag chain suitable                     | yes               |
| torsional                               | yes               |
| RoHS                                    | compliant         |

### Environmental conditions

|                                 |                      |
|---------------------------------|----------------------|
| Temperature (min. - max.)       |                      |
| Temperature - Operating °C      | -40 °C - 90 °C       |
| Temperature - Operating °F      | -40 °F - 194 °F      |
| Temperature - Installation °C   | -30 °C - 90 °C       |
| Temperature - Installation °F   | -22 °F - 194 °F      |
| Temperature - drag chain °C     | -25 °C - 60 °C       |
| Temperature - drag chain °F     | -13 °F - 140 °F      |
| Particulate ingress interface 1 | IP6X when plugged in |

# P | Cabling

Data sheet

Page 4/6

**M12 Sensor/actuator cable, A-coded, 2.0 m,  
M12 plug straight - free line end,  
shielded, 8-pole, PUR-C**

P/N  
142MHA10020  
EAN 4251394646404  
2023/05/22  
Version: F

## Technical Data

### Environmental conditions

|                                      |                                  |
|--------------------------------------|----------------------------------|
| Liquid ingress/immersion interface 1 | IPX5, IPX7, IPX8 when plugged in |
| Pollution degree interface 1         | 3                                |

### Approvals

|                      |                  |
|----------------------|------------------|
| UL listed (file no.) | Approval pending |
|----------------------|------------------|

### Standards/Regulations

|                                     |                    |
|-------------------------------------|--------------------|
| Connectors for electronic equipment |                    |
| circular connector                  | DIN EN 61076-2-101 |

### Classifications

|          |          |
|----------|----------|
| ETIM 5.0 | EC001855 |
| ETIM 6.0 | EC001855 |
| ETIM 7.0 | EC001855 |
| ETIM 8.0 | EC001855 |
| ETIM 9.0 | EC001855 |

### Packing details

|                   |                       |
|-------------------|-----------------------|
| Type of packaging | 1 pc(s) / plastic bag |
|-------------------|-----------------------|

# P | Cabling

Data sheet

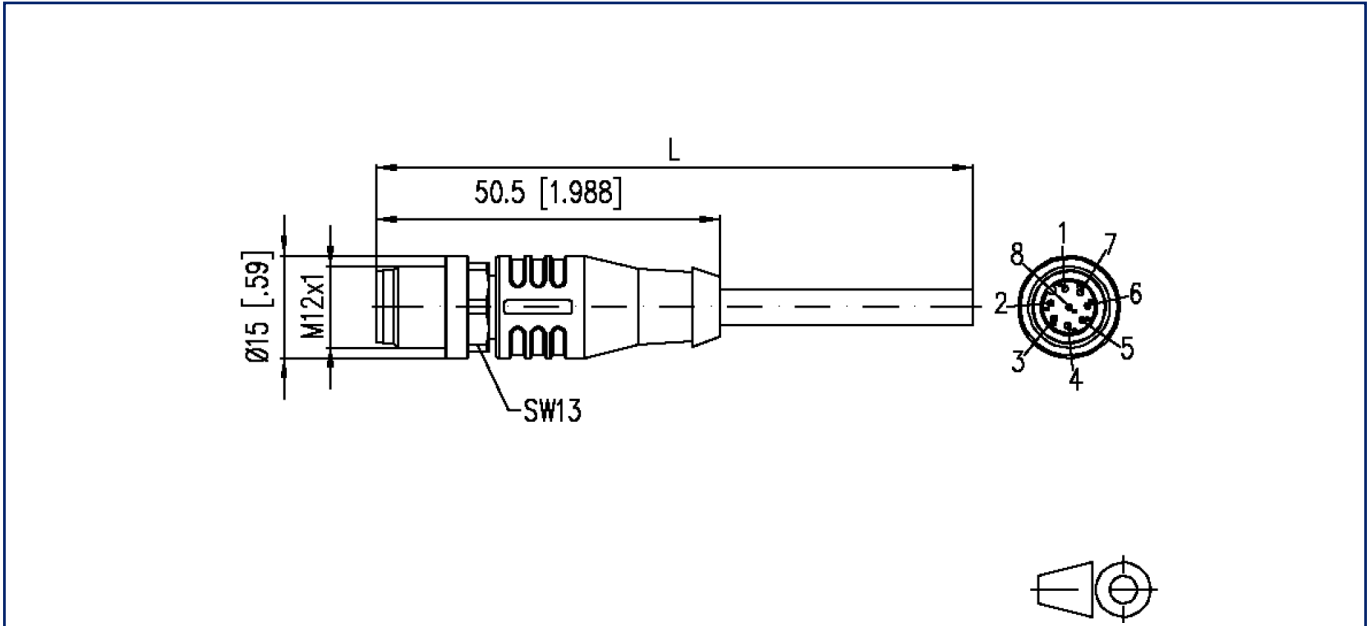
Page 5/6

**M12 Sensor/actuator cable, A-coded, 2.0 m,  
M12 plug straight - free line end,  
shielded, 8-pole, PUR-C**

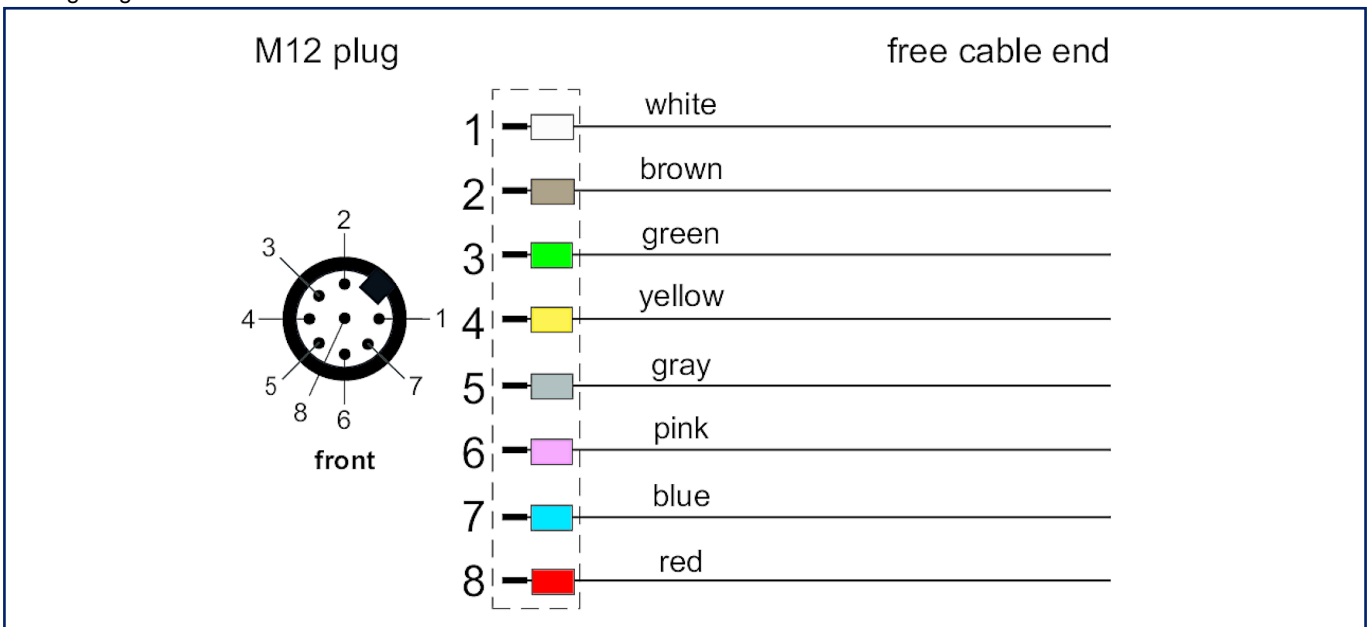
P/N  
142MHA10020  
EAN 4251394646404  
2023/05/22  
Version: F

## Illustrations

Dimensional drawing



Wiring diagram



# P | Cabling

Data sheet

**M12 Sensor/actuator cable, A-coded, 2.0 m,  
M12 plug straight - free line end,  
shielded, 8-pole, PUR-C**

Page 6/6

P/N

142MHA10020

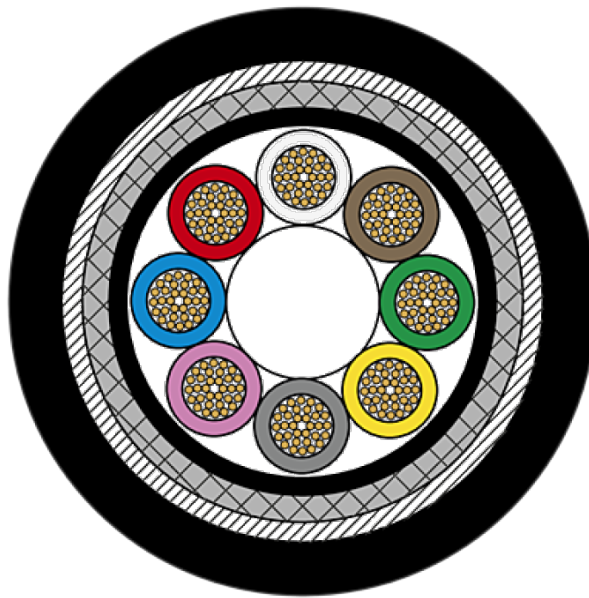
EAN 4251394646404

2023/05/22

Version: F

## Illustrations

Principle diagram



© 2023 METZ CONNECT - Technische Änderungen vorbehalten! Subject to modifications! Sous réserve de modifications techniques!

