

## Data sheet

PC board jack M12, D-coded, 4-pole,  
IP67 in unmated condition, potted

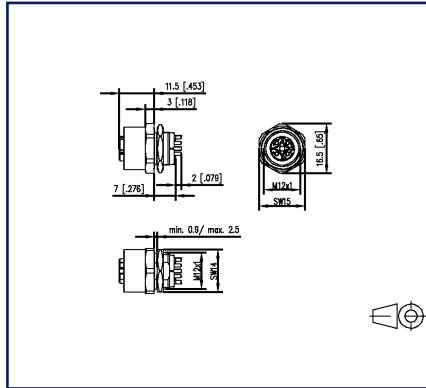
Page 1/5

P/N  
MMT361A115-0009  
EAN 4251394621968  
2023/07/04  
Version: J

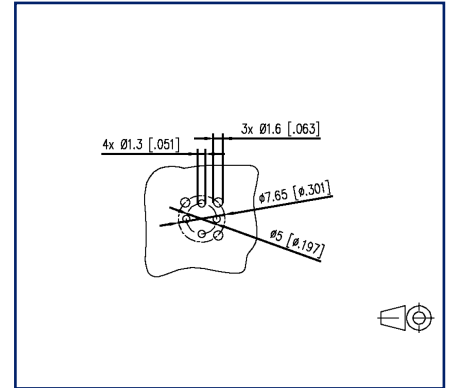
### Illustrations



Dimensional drawing



Drill pattern



See enlarged drawings at the end of document

### Product specification

- PC board jack M12
- Cat.5
- 4-pole, D-coded according to IEC 61076-02-101
- for 100 MBit Fast Ethernet (IEEE 802.3an)
- wave solderable
- Top entry
- Contact carriers green
- IP67 in unmated condition
- suitable for applications in the railway industry according to data sheet

**PC board jack M12, D-coded, 4-pole,  
IP67 in unmated condition, potted**

P/N  
MMT361A115-0009  
EAN 4251394621968  
2023/07/04  
Version: J

**Technical Data**

**General Data**

Dimensions	
Dimension (D x H)	Ø 16.5 mm x 20.5 mm
Dimension (D x H)	0.65 in. x 0.807 in.
Ports	Single port
Solderability	Acc. to JEDEC JESD22-B102E 245°C/5s
Coding	D-coded

**Electrical characteristics**

Rated voltage	250 V
Current carrying capacity at 40 °C	4 A
Insulation resistance	min. 100 MOhm
Overvoltage category	II
Degree of pollution	2

**Mechanical data**

Material	
Material - Housing	CuZnPb
Material - Contact	CuZnPb
Contact surface	Ni + Au
Shield material	CuSn
Material - Insulating body	PA UL94 V0
Color	metallike
Life - Number of mating cycles	>= 100
Tightening torque - Plug	0,6 - 1 Nm
Tightening torque - Jack mounting	3 Nm +/- 0,5 Nm
Protection category	IP67 in unmated condition

**Climatic properties**

Temperature - Operating °C	-25 °C - 85 °C
Temperature - Operating °F	-13 °F - 185 °F

**PC board jack M12, D-coded, 4-pole,  
IP67 in unmated condition, potted**

P/N  
MMT361A115-0009  
EAN 4251394621968  
2023/07/04  
Version: J

**Technical Data****Packaging**

Type of packaging 10 pc(s) / blister packaging

**Standards/Regulations**

## Railway applications

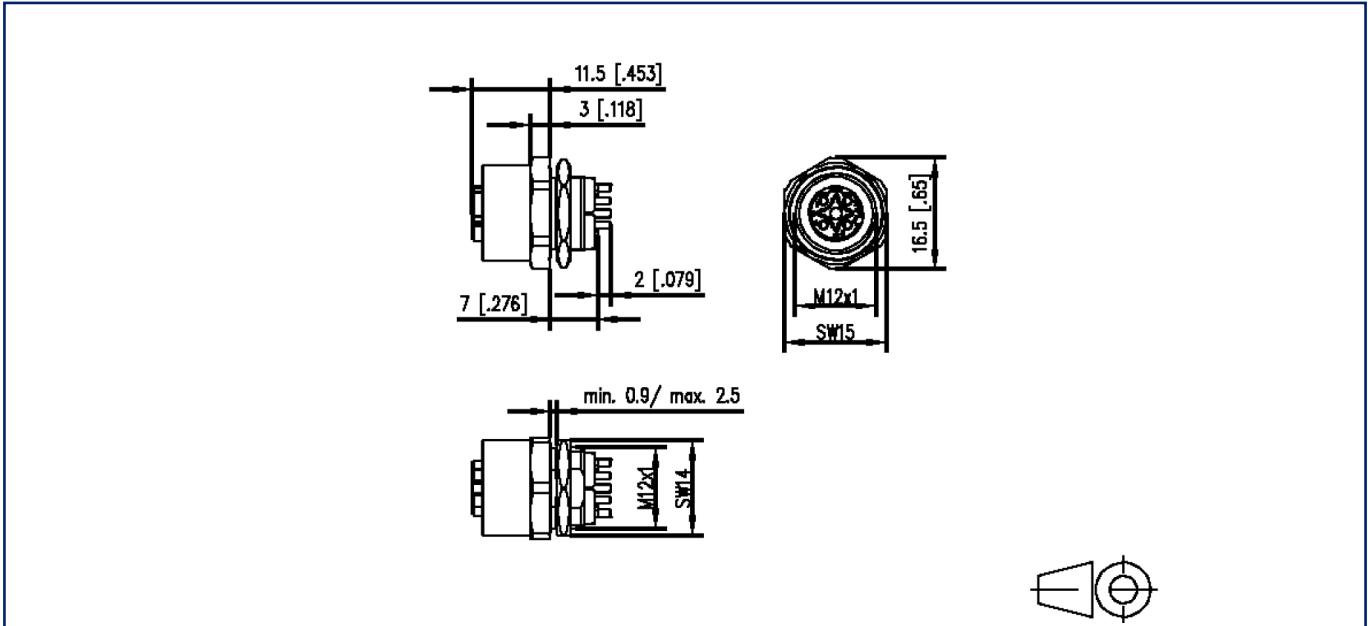
Electronic equipment used on rolling stock	following to DIN EN 50155
Fire protection on railway vehicles	following to DIN EN 45545-2
Contact holder	Thermoplastic HL3 according to R22 EN 45545-2
Sealings	Elastomer
Shock and vibration	DIN EN 50155:2018-05, DIN EN 61373:2011-04 Class 1 Category B
Salt spray	DIN EN 50155:2018-05, (DIN EN 60068-2-11:2000-02/ 48h test KA)

**Classifications**

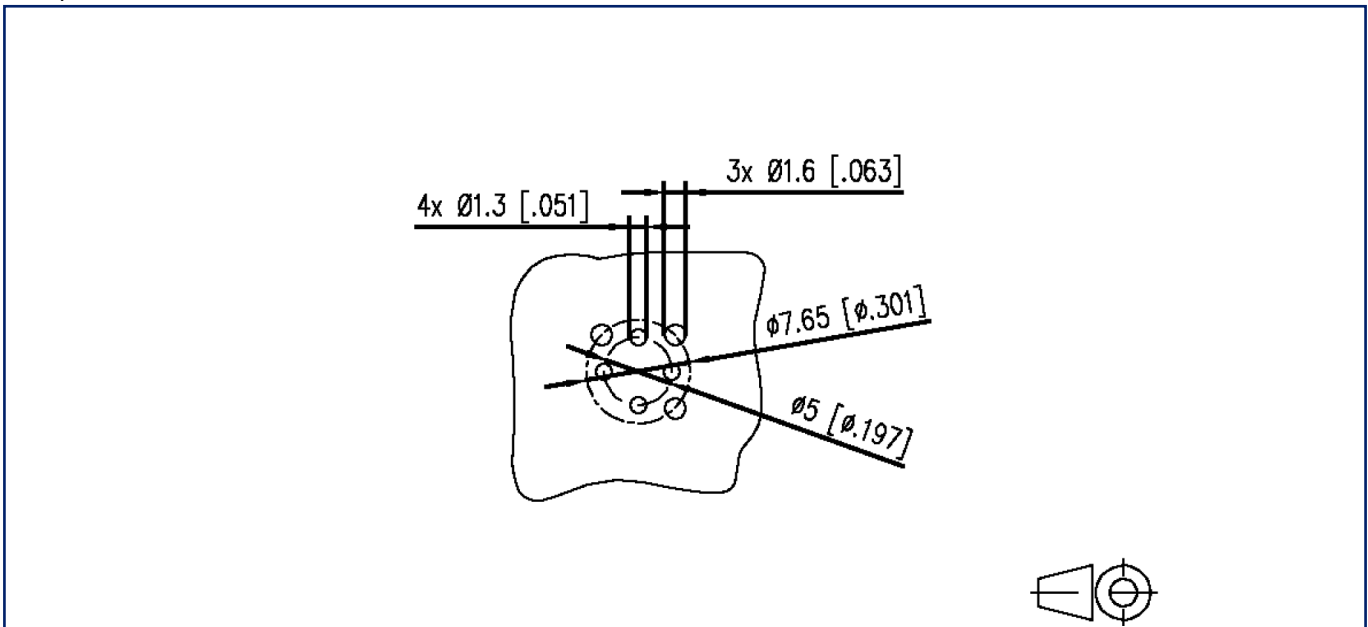
ETIM 7.0	EC002637
ETIM 8.0	EC002637
ETIM 9.0	EC002637

**Illustrations**

Dimensional drawing



Drill pattern



# U | Contact

Data sheet

**PC board jack M12, D-coded, 4-pole,  
IP67 in unmated condition, potted**

Page 5/5

P/N

MMT361A115-0009

EAN 4251394621968

2023/07/04

Version: J

## Illustrations

Cut-out

