

Data sheet

PC board insert M12, D-coded, 4-pole, green

Page 1/5

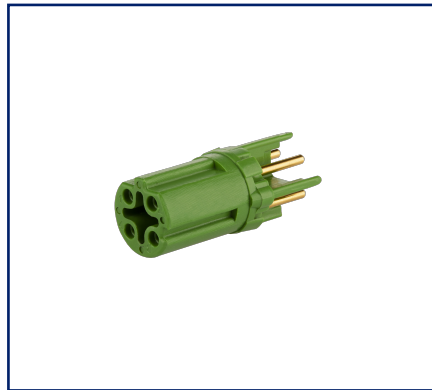
P/N
MMT060A115

EAN 4251394616490

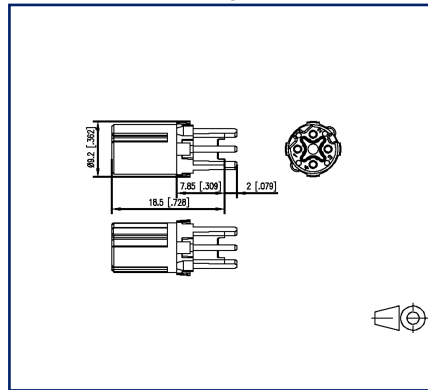
2023/07/04

Version: J

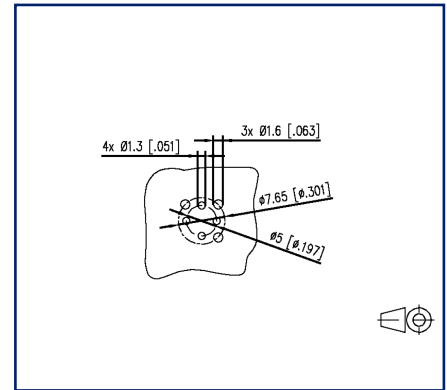
Illustrations



Dimensional drawing



Drill pattern



See enlarged drawings at the end of document

Product specification

- PC board insert M12
- Cat.5
- 4-pole, D-coded
- suitable for 10/100 MBit
- THR solderable
- Top entry
- Contact carriers green
- suitable for applications in the railway industry according to data sheet



Technical Data

General Data

Dimensions

Dimension (D x H)	Ø 9.2 mm x 20.5 mm
Dimension (D x H)	0.362 in. x 0.807 in.
Ports	Single port
Coding	D-coded

Electrical characteristics

Rated voltage	250 V
Current carrying capacity at 40 °C	4 A
Insulation resistance	min. 100 MOhm
Overvoltage category	II
Degree of pollution	2

Mechanical data

Material

Material - Contact	CuZnPb
Contact surface	Ni + Au
Material - Insulating body	PA UL94 V0
Color	green
Life - Number of mating cycles	>= 100

Climatic properties

Temperature - Operating °C	-40 °C - 85 °C
Temperature - Operating °F	-40 °F - 185 °F

Approvals

Approval mark UL	pending
------------------	---------

Packaging

Type of packaging	10 pc(s) / blister packaging
-------------------	------------------------------

Standards/Regulations

Railway applications

Electronic equipment used on rolling stock	following to DIN EN 50155
Fire protection on railway vehicles	following to DIN EN 45545-2

U | Contact

Data sheet

Page 3/5

PC board insert M12, D-coded, 4-pole, green

P/N

MMT060A115

EAN 4251394616490

2023/07/04

Version: J

Technical Data

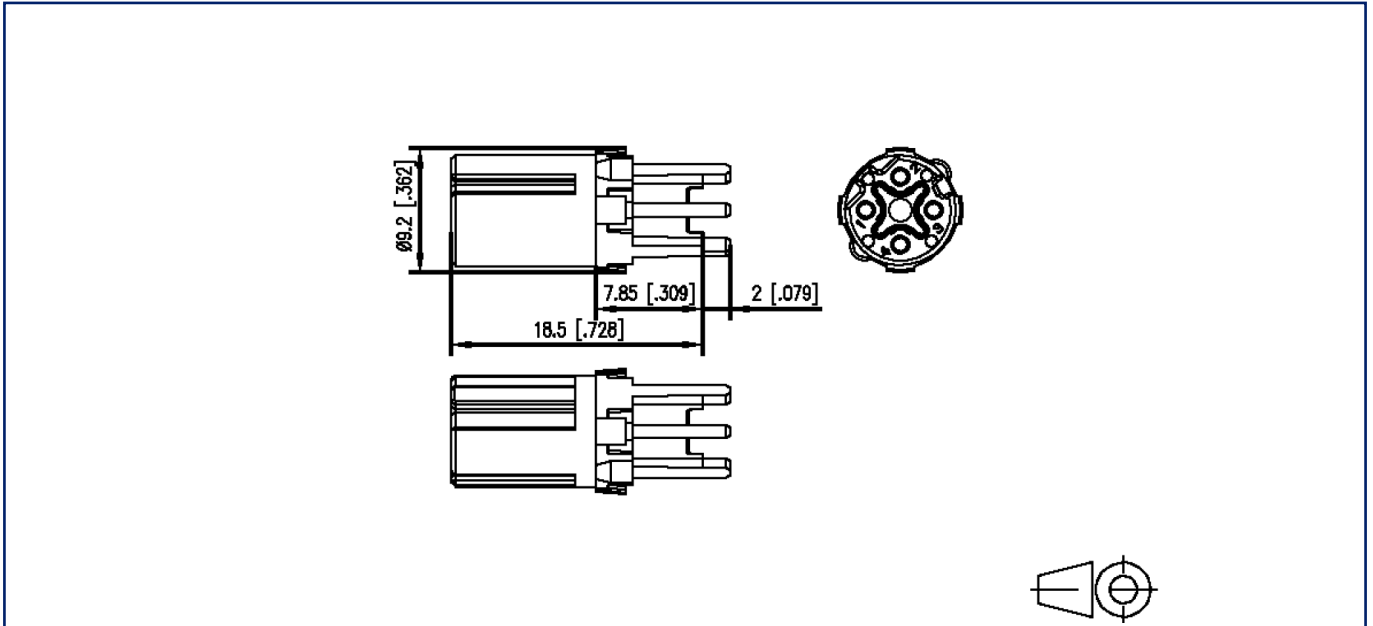
Classifications

ETIM 7.0	EC002637
ETIM 8.0	EC002637
ETIM 9.0	EC002637

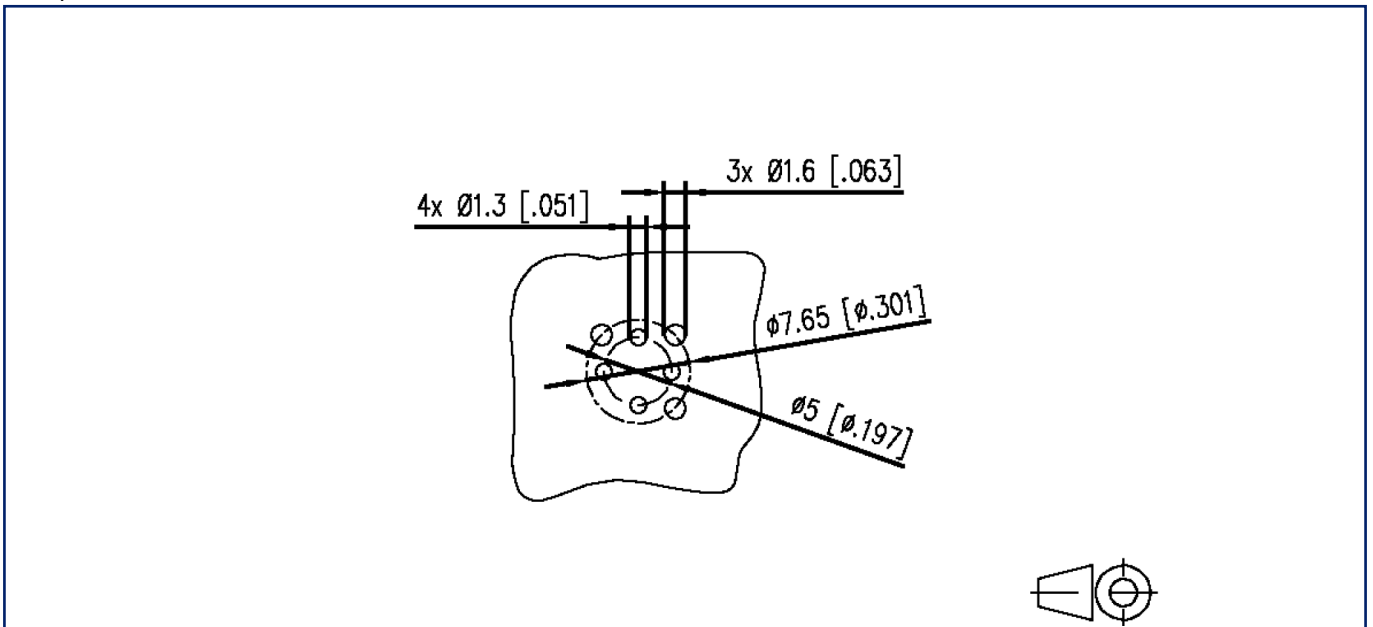


Illustrations

Dimensional drawing

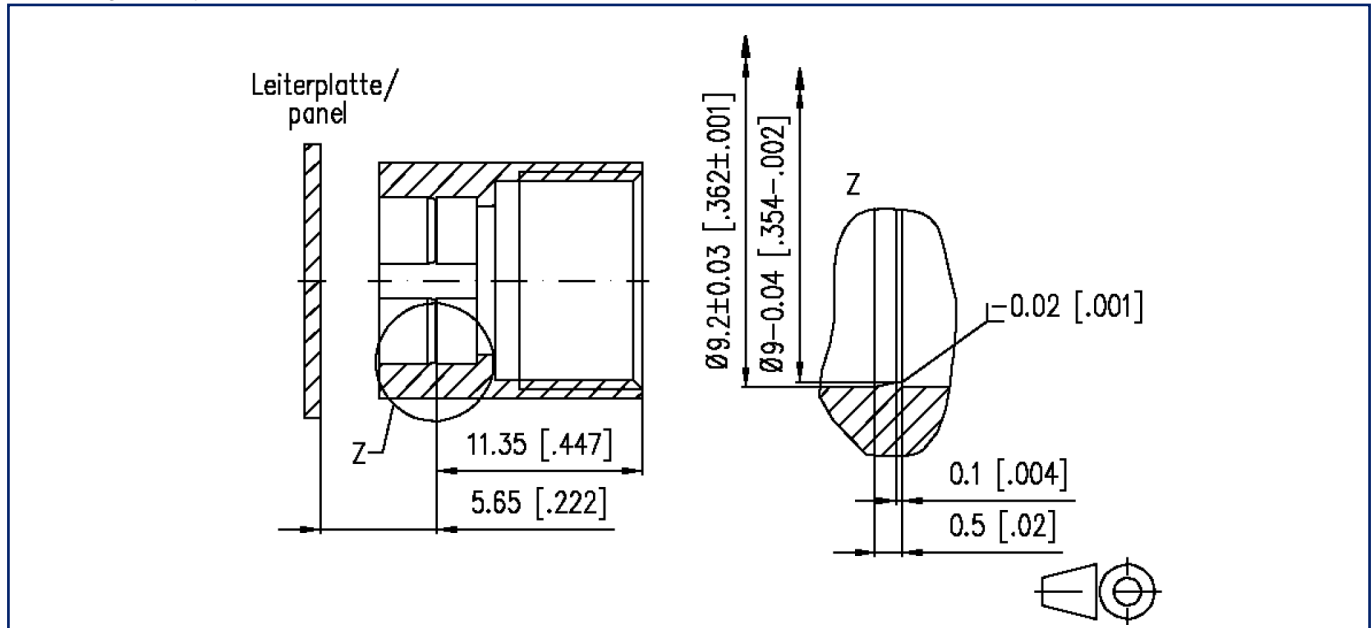


Drill pattern



Illustrations

Snap-in geometry



© 2023 METZ CONNECT - Technische Änderungen vorbehalten! Subject to modifications! Sous réserve de modifications techniques!