

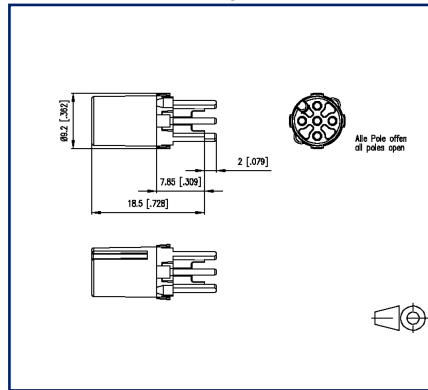
# Data sheet

## PC board insert M12, A-coded, 5-pole, black

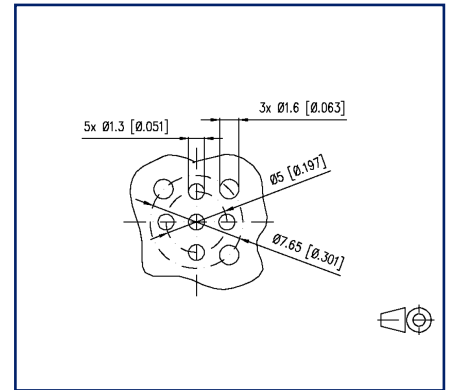
### Illustrations



Dimensional drawing



Drill pattern



See enlarged drawings at the end of document

### Product specification

- PC board insert M12
- 5-pole, A-coded according to IEC 61076-2-101
- THR solderable
- Top entry
- Contact carriers black
- suitable for applications in the railway industry according to data sheet

**PC board insert M12, A-coded, 5-pole, black**

P/N  
**MMT060A815-0001**  
**EAN 4251394631868**  
 2023/07/04  
 Version: L

**Technical Data**

**General Data**

Dimensions	
Dimension (D x H)	Ø 9.2 mm x 20.5 mm
Dimension (D x H)	0.362 in. x 0.807 in.
Ports	Single port
Solderability	Acc. to IPC/JEDEC J-STD-020E-MSL 1
Coding	A-coded

**Electrical characteristics**

Rated voltage	60 V
Current carrying capacity at 40 °C	4 A
Overvoltage category	II
Degree of pollution	2

**Mechanical data**

Material	
Material - Contact	CuZnPb
Contact surface	Ni + Au
Material - Insulating body	LCP UL94 V0
Color	black
RoHS	pending

**Climatic properties**

Temperature - Operating °C	-40 °C - 85 °C
Temperature - Operating °F	-40 °F - 185 °F

**Approvals**

Approval mark UL	pending
------------------	---------

**Packaging**

Type of packaging	10 pc(s) / blister packaging
-------------------	------------------------------

**Standards/Regulations**

Railway applications	
Electronic equipment used on rolling stock	following to DIN EN 50155
Fire protection on railway vehicles	following to DIN EN 45545-2

# U | Contact

Data sheet

Page 3/5

**PC board insert M12, A-coded, 5-pole, black**

P/N

**MMT060A815-0001**

**EAN 4251394631868**

2023/07/04

Version: L

## Technical Data

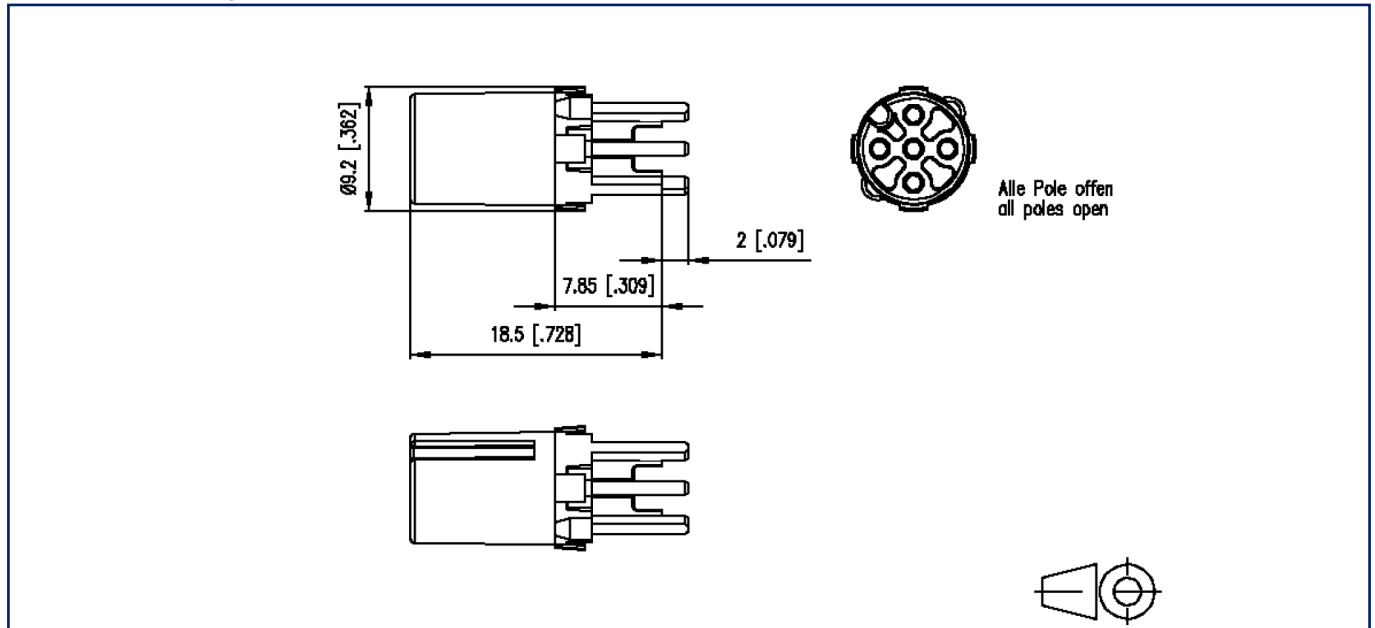
### Classifications

ETIM 7.0	EC002637
ETIM 8.0	EC002637

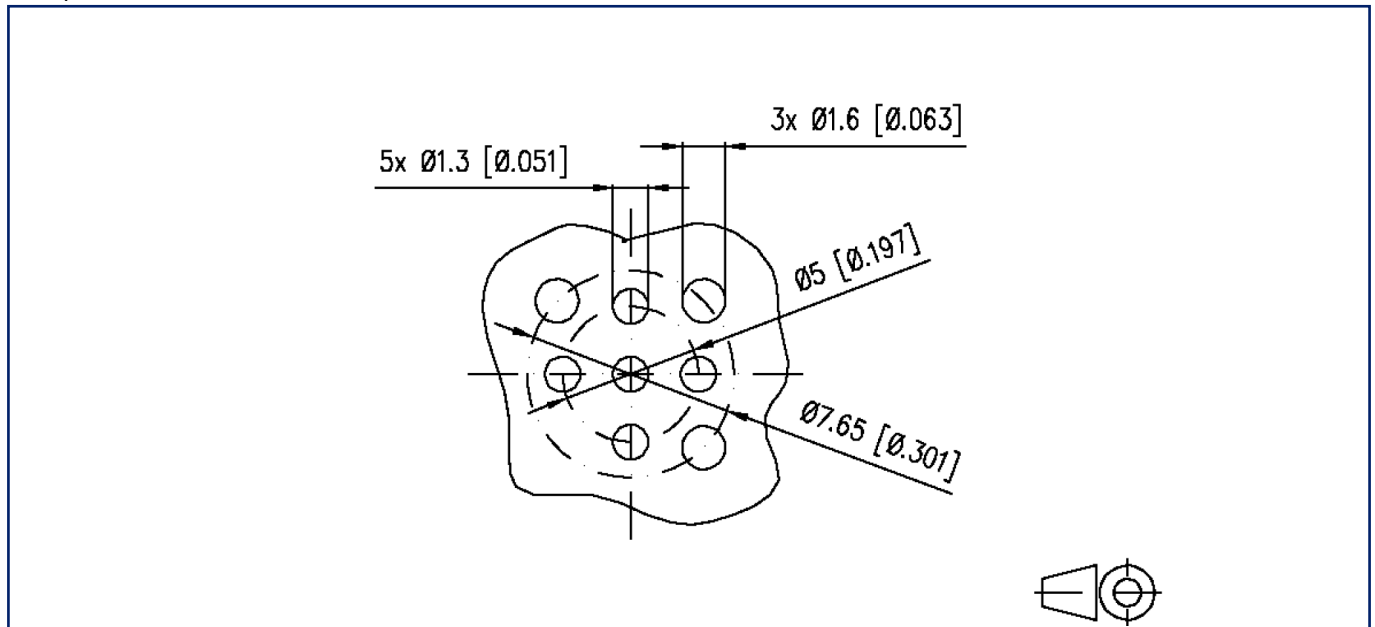


**Illustrations**

Dimensional drawing



Drill pattern



**Illustrations**

Snap-in geometry

