

Data sheet

PC board insert M12, A-coded, 4-pole, black

Page 1/5

P/N

MMT060A715-0001

EAN 4251394631820

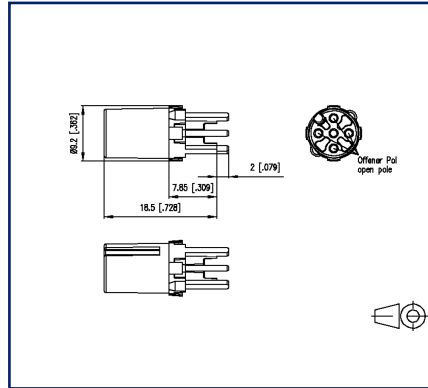
2023/07/04

Version: L

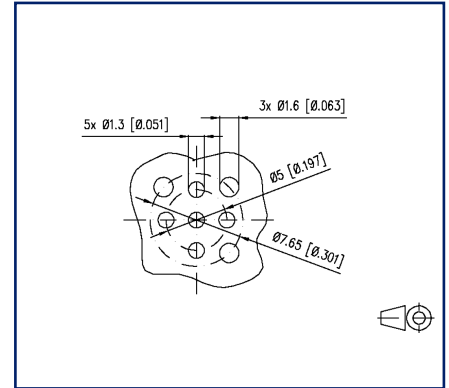
Illustrations



Dimensional drawing



Drill pattern



See enlarged drawings at the end of document

Product specification

- PC board insert M12
- 4-pole, A-coded according to IEC 61076-2-101
- THR solderable
- Top entry
- Contact carriers black
- suitable for applications in the railway industry according to data sheet

Technical Data

General Data

Dimensions

Dimension (D x H)	Ø 9.2 mm x 20.5 mm
Dimension (D x H)	0.362 in. x 0.807 in.
Ports	Single port
Solderability	Acc. to IPC/JEDEC J-STD-020E-MSL 1
Coding	A-coded

Electrical characteristics

Rated voltage	250 V
Current carrying capacity at 40 °C	4 A
Insulation resistance	min. 100 MOhm
Overvoltage category	II
Degree of pollution	2

Mechanical data

Material

Material - Contact	CuZnPb
Contact surface	Ni + Au
Material - Insulating body	LCP UL94 V0
Color	black
RoHS	pending
Life - Number of mating cycles	>= 100

Climatic properties

Temperature - Operating °C	-40 °C - 85 °C
Temperature - Operating °F	-40 °F - 185 °F

Approvals

Approval mark UL	pending
------------------	---------

Packaging

Type of packaging	10 pc(s) / blister packaging
-------------------	------------------------------



Technical Data

Standards/Regulations

Railway applications

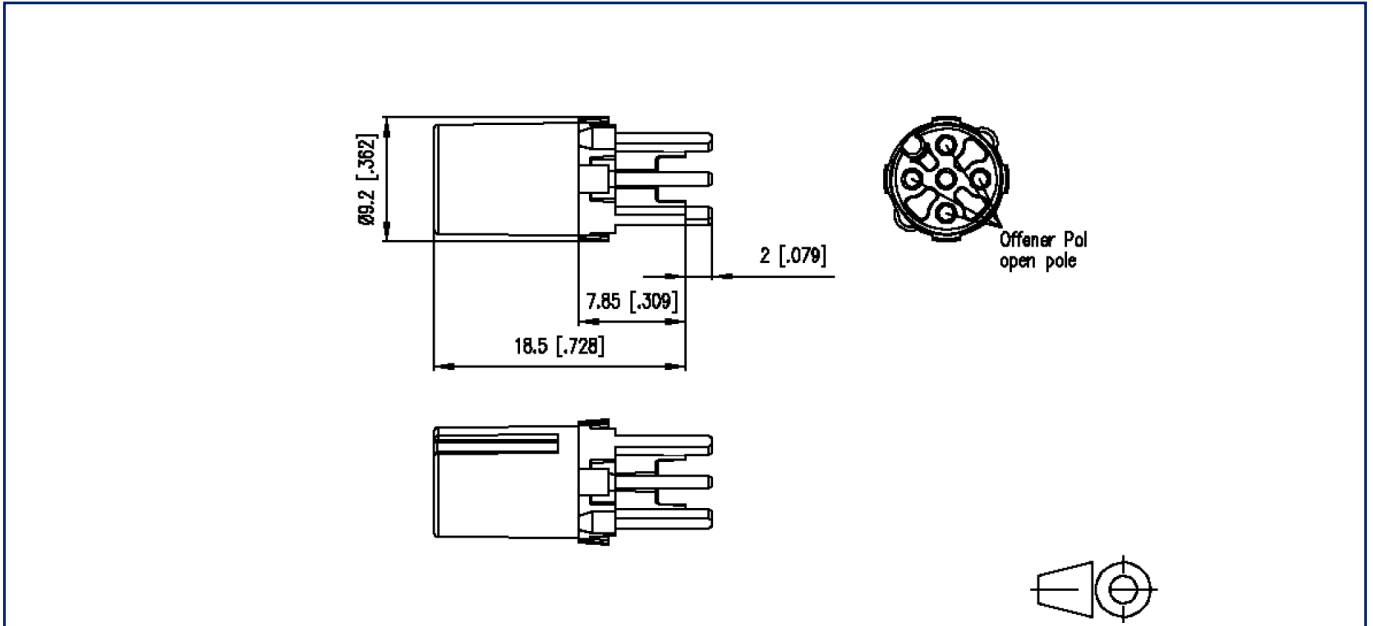
Electronic equipment used on rolling stock	following to DIN EN 50155
Fire protection on railway vehicles	following to DIN EN 45545-2

Classifications

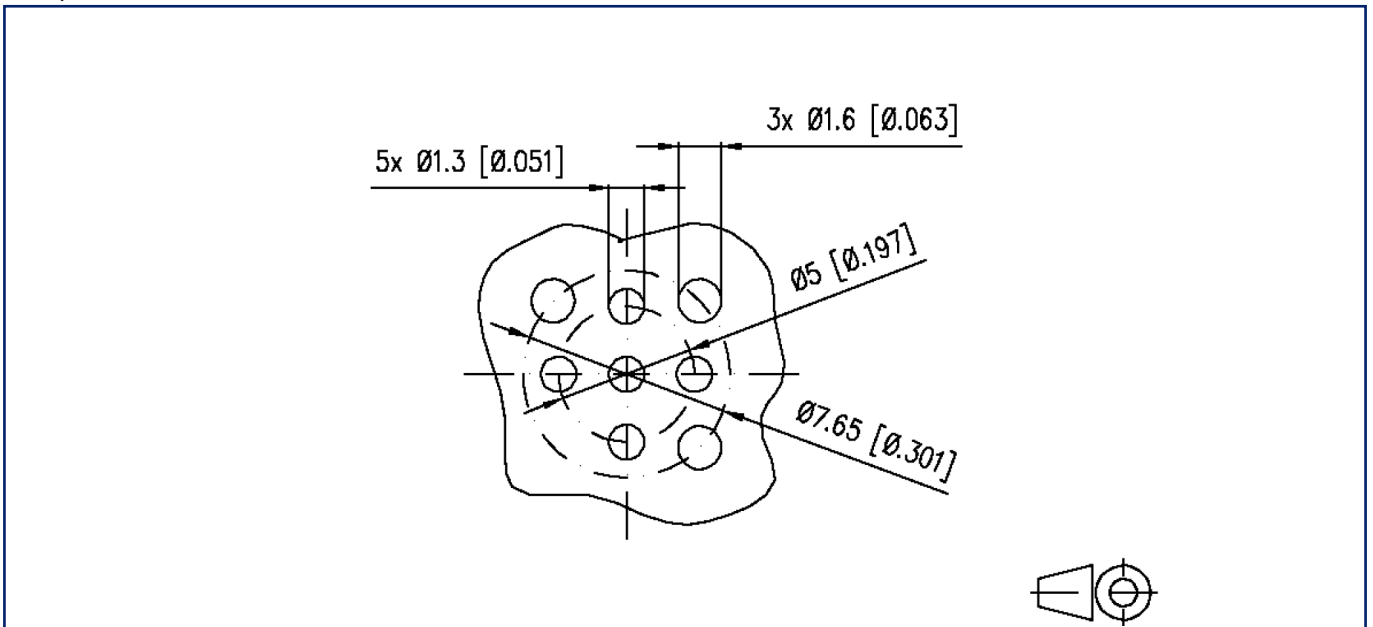
ETIM 7.0	EC002637
ETIM 8.0	EC002637

Illustrations

Dimensional drawing



Drill pattern



Illustrations

Snap-in geometry

