

## Data sheet

PC board jack M12, A-coded, 4-pole, rear mounting,  
IP67 in unmated condition, potted

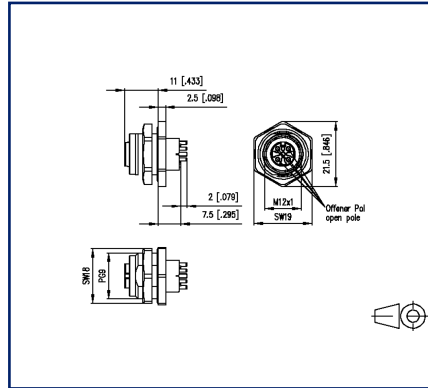
Page 1/4

P/N  
MMT371A715-0009  
EAN 4251394632261  
2023/11/16  
Version: L

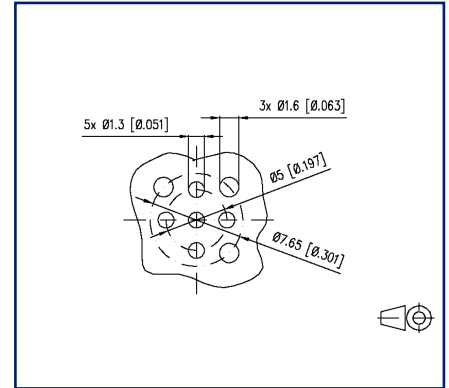
### Illustrations



Dimensional drawing



Drill pattern



See enlarged drawings at the end of document

### Product specification

- PC board jack M12
- rear mounting
- 4-pole, A-coded according to IEC 61076-2-101
- THR solderable
- Top entry
- Contact carriers black
- IP67 in unmated condition
- suitable for applications in the railway industry according to data sheet



**PC board jack M12, A-coded, 4-pole, rear mounting, IP67 in unmated condition, potted**

P/N  
**MMT371A715-0009**  
**EAN 4251394632261**  
 2023/11/16  
 Version: L

**Technical Data**

**General Data**

Dimensions	
Dimension (D x H)	Ø 21.5 mm x 20.5 mm
Dimension (D x H)	0.846 in. x 0.807 in.
Ports	Single port
Solderability	Acc. to IPC/JEDEC J-STD-020E-MSL 1
Coding	A-coded

**Electrical characteristics**

Rated voltage	250 V
Current carrying capacity at 40 °C	4 A
Insulation resistance	min. 100 MOhm
Overvoltage category	II
Degree of pollution	2

**Mechanical data**

Material	
Material - Housing	CuZnPb
Material - Contact	CuZnPb
Contact surface	Ni + Au
Material - Insulating body	LCP UL94 V0
Color	black
RoHS	compliant
Life - Number of mating cycles	>= 100
Tightening torque - Plug	0,6 - 1 Nm
Tightening torque - Jack mounting	3 Nm +/- 0,5 Nm
Protection category	IP 67

**Climatic properties**

Temperature - Operating °C	-25 °C - 85 °C
Temperature - Operating °F	-13 °F - 185 °F

Data sheet

Page 3/4

## PC board jack M12, A-coded, 4-pole, rear mounting, IP67 in unmated condition, potted

P/N  
**MMT371A715-0009**  
**EAN 4251394632261**  
 2023/11/16  
 Version: L

### Technical Data

#### Packaging

Type of packaging 10 pc(s) / blister packaging

#### Standards/Regulations

Railway applications

Electronic equipment used on rolling stock	following to DIN EN 50155
Fire protection on railway vehicles	following to DIN EN 45545-2
Contact holder	Thermoplastic
Sealings	Elastomer
Shock and vibration	DIN EN 50155:2018-05, DIN EN 61373:2011-04 Class 1 Category B
Salt spray	DIN EN 50155:2018-05, (DIN EN 60068-2-11:2000-02/ 48h test KA)

#### Classifications

ETIM 7.0	EC002637
ETIM 8.0	EC002637

© 2023 METZ CONNECT - Technische Änderungen vorbehalten! Subject to modifications! Sous réserve de modifications techniques!

# U | Contact

Data sheet

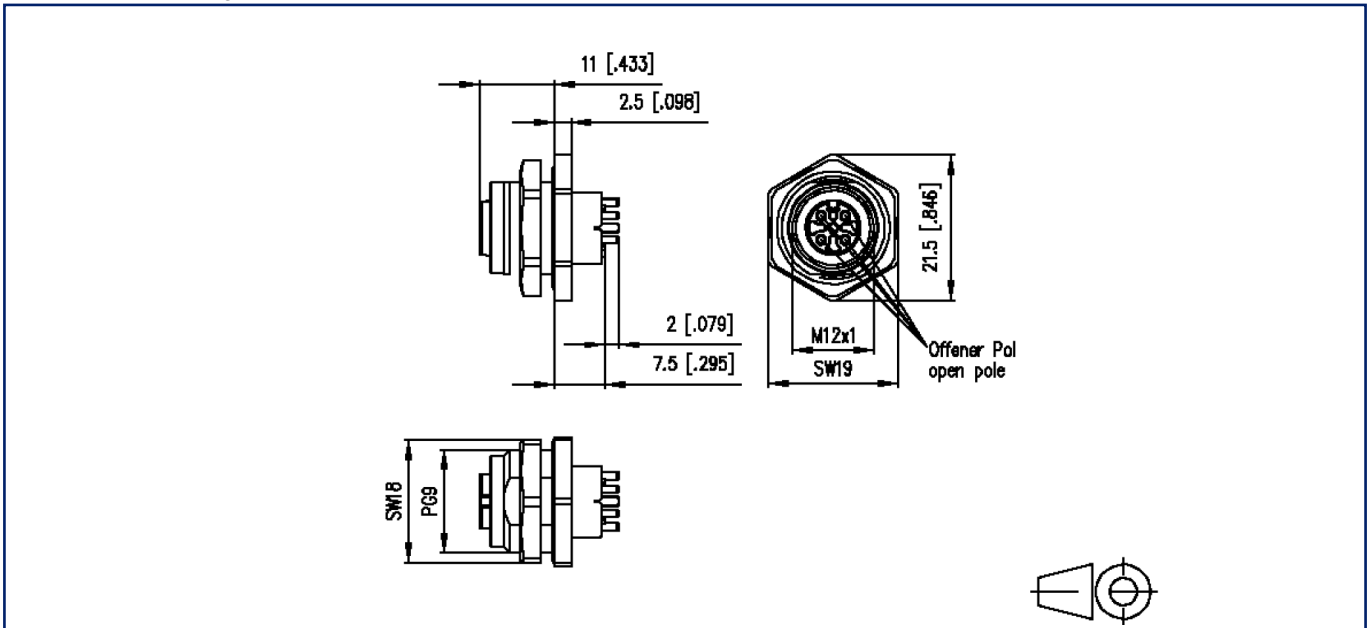
Page 4/4

**PC board jack M12, A-coded, 4-pole, rear mounting,  
IP67 in unmated condition, potted**

P/N  
**MMT371A715-0009**  
EAN 4251394632261  
2023/11/16  
Version: L

## Illustrations

Dimensional drawing



Drill pattern

