

Data sheet

PC board jack M12, A-coded, 4-pole, IP67,
rear mounting

Page 1/4

P/N
MMT371A715

EAN 4251394632247

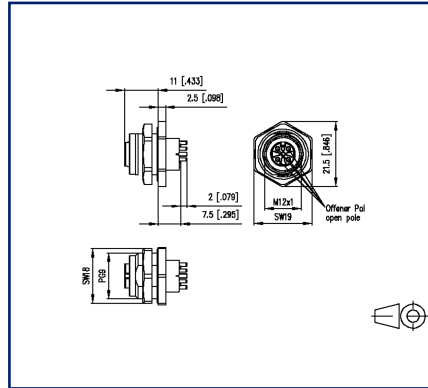
2023/07/04

Version: I

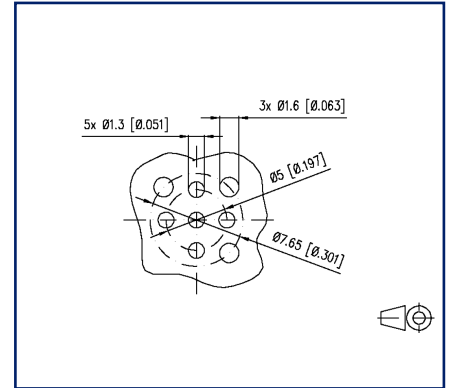
Illustrations



Dimensional drawing



Drill pattern



See enlarged drawings at the end of document

Product specification

- PC board jack M12
- rear mounting
- 4-pole, A-coded according to IEC 61076-2-101
- THR solderable
- Top entry
- Contact carriers black
- IP67 when plugged in
- suitable for applications in the railway industry according to data sheet



PC board jack M12, A-coded, 4-pole, IP67, rear mounting

P/N
MMT371A715
EAN 4251394632247
 2023/07/04
 Version: I

Technical Data

General Data

Dimensions	
Dimension (D x H)	Ø 21.5 mm x 20.5 mm
Dimension (D x H)	0.846 in. x 0.807 in.
Ports	Single port
Solderability	Acc. to IPC/JEDEC J-STD-020E-MSL 1
Coding	A-coded

Electrical characteristics

Rated voltage	250 V
Current carrying capacity at 40 °C	4 A
Insulation resistance	min. 100 MOhm
Overvoltage category	II
Degree of pollution	2

Mechanical data

Material	
Material - Housing	CuZnPb
Material - Contact	CuZnPb
Contact surface	Ni + Au
Material - Insulating body	LCP UL94 V0
Color	black
RoHS	compliant
Life - Number of mating cycles	>= 100
Tightening torque - Plug	0,6 - 1 Nm
Tightening torque - Jack mounting	3 Nm +/- 0,5 Nm
Protection category	IP67 when plugged in

Climatic properties

Temperature - Operating °C	-40 °C - 85 °C
Temperature - Operating °F	-40 °F - 185 °F

© 2023 METZ CONNECT - Technische Änderungen vorbehalten! Subject to modifications! Sous réserve de modifications techniques!

Data sheet

Page 3/4

PC board jack M12, A-coded, 4-pole, IP67, rear mounting

P/N
MMT371A715

EAN 4251394632247

2023/07/04

Version: I

Technical Data

Approvals

Approval mark UL pending

Packaging

Type of packaging 10 pc(s) / blister packaging

Standards/Regulations

Railway applications

Electronic equipment used on rolling stock	following to DIN EN 50155
Fire protection on railway vehicles	following to DIN EN 45545-2
Contact holder	Thermoplastic
Sealings	Elastomer
Shock and vibration	DIN EN 50155:2018-05, DIN EN 61373:2011-04 Class 1 Category B
Salt spray	DIN EN 50155:2018-05, (DIN EN 60068-2-11:2000-02/ 48h test KA)

Classifications

ETIM 7.0	EC002637
ETIM 8.0	EC002637



U | Contact

Data sheet

**PC board jack M12, A-coded, 4-pole, IP67,
rear mounting**

Page 4/4

P/N
MMT371A715

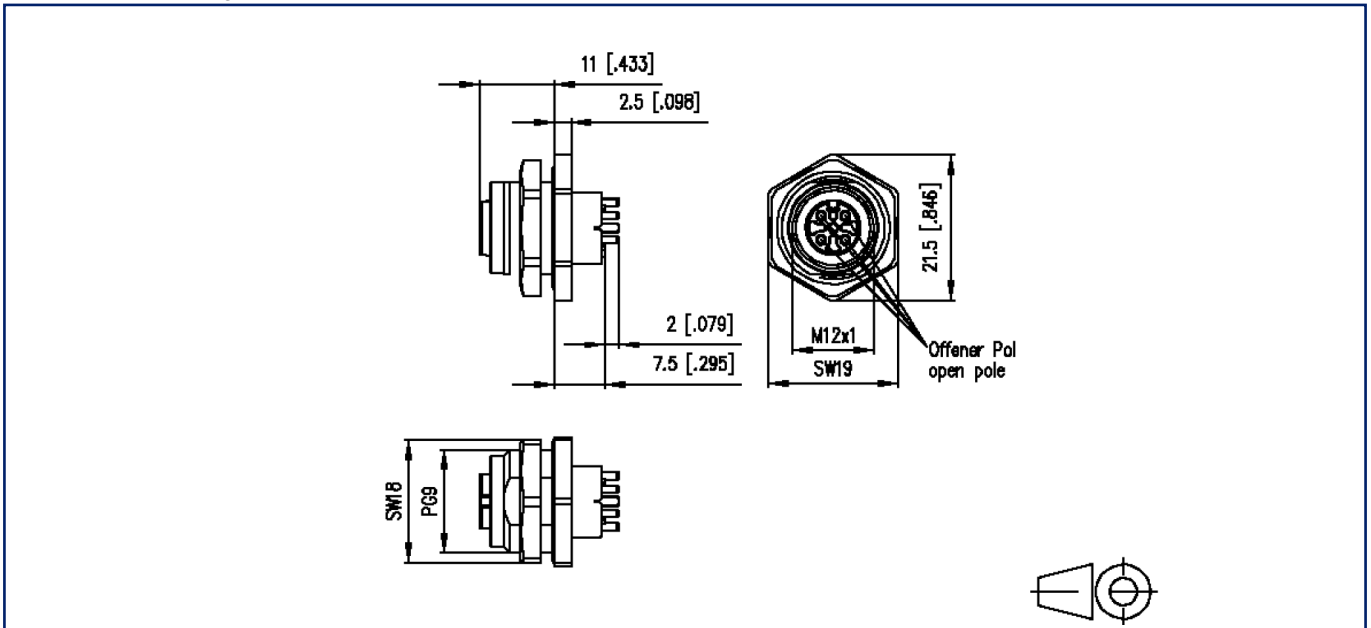
EAN 4251394632247

2023/07/04

Version: I

Illustrations

Dimensional drawing



Drill pattern

