

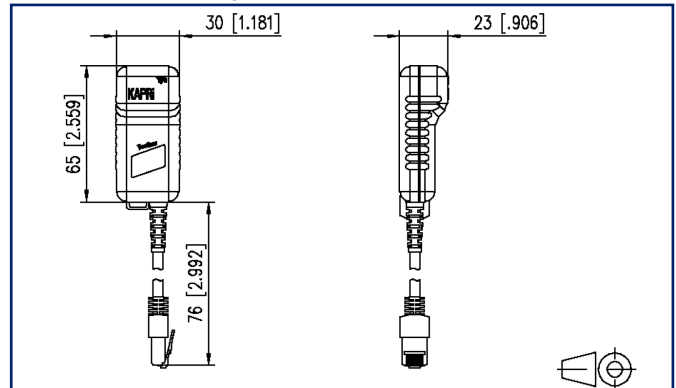
Data sheet

KAPRI plus test box 1

Illustrations



Dimensional drawing



See enlarged drawings at the end of document

Product specification

- replacement test box 1 (included in KAPRI plus main terminal)
- test box set 1 with test boxes 2, 3, 4, 5
- test box set 2 with test boxes 6, 7, 8, 9
- saves time needed for the way to the connections
- variants: test box 1, test box set 1, test box set 2

P | Cabling

Data sheet

KAPRi plus test box 1

Page 2/6

P/N

130673-01-E

EAN 4250184102496

2023/06/01

Version: M

Technical Data

General Data

Design	test box
Shielding	shielded
Transmission technology	Copper
Color	light gray
Dimensions	
Dimension - Interface 1 (L x W x H)	30 mm x 23 mm x 65 mm
Dimension - Interface 1 (L x W x H)	1.181 in. x 0.906 in. x 2.559 in.

Connections/interfaces

Connector technology interface 1	RJ45 plug
Connector technology interface 2	RJ45-jack
Number of ports interface 1	1
Number of ports interface 2	1
Number of equipped ports interface 1	1
Number of ports interface 2 equipped	1
Number of positions/contacts interface 1	8P/8C
Number of positions/contacts interface 2	8P/8C
Connection cable length	0.1 m
Connection cable length	0.33 ft

Materials and material properties

Halogen free	yes
RoHS	compliant

Classifications

ETIM 5.0	EC000305
ETIM 6.0	EC000305
ETIM 7.0	EC000305
ETIM 8.0	EC000305
ETIM 9.0	EC000305



P | Cabling

Data sheet KAPRi plus test box 1

Page 3/6

P/N
130673-01-E
EAN 4250184102496
2023/06/01
Version: M

Technical Data

Packing details

Type of packaging	1 pc(s) / plastic bag
Packaging unit - Weight (gram)	40 g
Packaging unit - Weight (pound)	0.09 lb
Packaging dimension	160 mm x 100 mm x 380 mm
Packaging dimension	6.299 in. x 3.937 in. x 14.961 in.

P | Cabling

Data sheet

KAPRi plus test box 1

Page 4/6

P/N

130673-01-E

EAN 4250184102496

2023/06/01

Version: M

Accessories

P/N	Designation
130674-E	KAPRi plus extension set M12 X-coded
130675-E	KAPRi plus extension set M12 D-coded
130676-01-E	KAPRi plus plastic case completely equipped
130676-E	KAPRi plus plastic case unequipped

P | Cabling

Data sheet

KAPRi plus test box 1

Page 5/6

P/N

130673-01-E

EAN 4250184102496

2023/06/01

Version: M

Accessories from

P/N	Designation
130670-E	KAPRi plus cable and installation tester
130671-E	KAPRi plus test boxes 2 to 5
130672-E	KAPRi plus test boxes 6 to 9



P | Cabling

Data sheet

KAPRi plus test box 1

Page 6/6

P/N

130673-01-E

EAN 4250184102496

2023/06/01

Version: M

Illustrations

Dimensional drawing

