

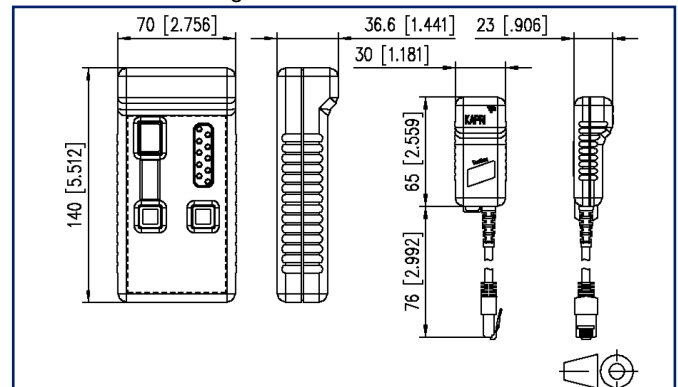
Data sheet

KAPRi plus cable and installation tester

Illustrations



Dimensional drawing



See enlarged drawings at the end of document

Product specification

- detection and indication of the most frequent installation faults: short-circuit, wire interruption, wire reversal, line reversal, split pair
- indication of external voltage with polarity for each wire
- line identification by identifying up to nine test box numbers
- detection and indication of incorrectly adjusted pin assignment
- fault display for each individual wire by means of nine red LED
- green LED if there is not any fault
- clear indication of the type of error on a 7-segment display
- low voltage display for battery
- automatic test
- easy handling and interpretation of test results
- one key for switching on and off and starting test
- quick test, approx. 3 seconds
- fault list query for multiple faults by pressing separate key
- nine switches to adjust the pin assignment
- 9-wire connection line to test up to 8-wire data connection lines with shield
- connection by means of RJ45 jacks, this also allows testing patch cables
- automatic switch-off after 30 seconds
- protected against external voltage
- test function to detect loose contacts

P | Cabling

Data sheet

Page 2/7

KAPRi plus cable and installation tester

P/N

130670-E

EAN 4250184102465

2023/06/01

Version: N

Product specification

- reverse battery protection
- low current consumption for long battery life
- included in the delivery: main terminal, test box 1, patch cable, 9 V battery and storage bag

P | Cabling

Data sheet

Page 3/7

KAPRI plus cable and installation tester

P/N
130670-E

EAN 4250184102465

2023/06/01

Version: N

Technical Data

General Data

Design	cable and installation tester
Shielding	shielded
Transmission technology	Copper
Color	light gray
Dimensions	
Dimension - Interface 1 (L x W x H)	70 mm x 140 mm x 36.6 mm
Dimension - Interface 1 (L x W x H)	2.756 in. x 5.512 in. x 1.441 in.
Dimension - Interface 2 (L x W x H)	30 mm x 23 mm x 65 mm
Dimension - Interface 2 (L x W x H)	1.181 in. x 0.906 in. x 2.559 in.

Transmission characteristics

Category (ISO)	5
----------------	---

Connections/interfaces

Connector technology interface 1	RJ45 plug
Connector technology interface 2	RJ45-jack
Number of ports interface 1	1
Number of ports interface 2	1
Number of equipped ports interface 1	1
Number of ports interface 2 equipped	1
Number of positions/contacts interface 1	8P/8C
Number of positions/contacts interface 2	8P/8C

Materials and material properties

Halogen free	yes
RoHS	compliant

Classifications

ETIM 5.0	EC000305
ETIM 6.0	EC000305
ETIM 7.0	EC000305
ETIM 8.0	EC000305
ETIM 9.0	EC000305

P | Cabling

Data sheet

Page 4/7

KAPRi plus cable and installation tester

P/N

130670-E

EAN 4250184102465

2023/06/01

Version: N

Technical Data

Packing details

Type of packaging	1 pc(s) / box
Packaging unit - Weight (gram)	495 g
Packaging unit - Weight (pound)	1.09 lb
Packaging dimension	234 mm x 136 mm x 69 mm
Packaging dimension	9.213 in. x 5.354 in. x 2.717 in.

P | Cabling

Data sheet

Page 5/7

KAPRi plus cable and installation tester

P/N

130670-E

EAN 4250184102465

2023/06/01

Version: N

Accessories

P/N	Designation
130671-E	KAPRi plus test boxes 2 to 5
130672-E	KAPRi plus test boxes 6 to 9
130673-01-E	KAPRi plus test box 1
130674-E	KAPRi plus extension set M12 X-coded
130675-E	KAPRi plus extension set M12 D-coded
130676-01-E	KAPRi plus plastic case completely equipped
130676-E	KAPRi plus plastic case unequipped

P | Cabling

Data sheet

Page 6/7

KAPri plus cable and installation tester

P/N

130670-E

EAN 4250184102465

2023/06/01

Version: N

Accessories from

P/N	Designation
MMF881A315	M12 Jack X-coded IP67, field assembly
MMF881A315-0001	M12 Jack X-coded IP67, field assembly with flange
MNF881A315-0001	M12 plug, X-coded, IP67 Cat. 6 _A , field assembly, straight



P | Cabling

Data sheet

KAPri plus cable and installation tester

Page 7/7

P/N

130670-E

EAN 4250184102465

2023/06/01

Version: N

Illustrations

Dimensional drawing

