

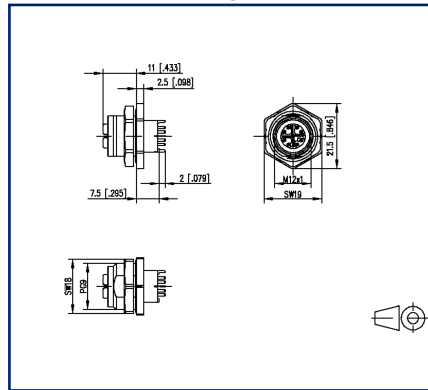
# Data sheet

PC board jack M12, X-coded, 8-pole, rear mounting, IP67 in unmated condition, potted

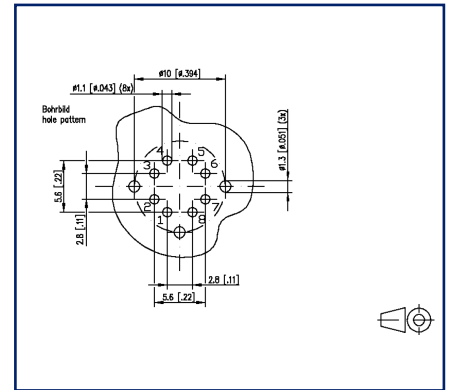
## Illustrations



Dimensional drawing



Drill pattern



See enlarged drawings at the end of document

## Product specification

- PC board jack M12
- 8-pole, X-coded according to IEC 61076-2-109
- rear mounting
- 10 GBit suitable according to IEEE 802.3an
- wave solderable
- Top entry
- Contact carriers green
- IP67 in unmated condition
- potted
- suitable for applications in the railway industry according to data sheet

**PC board jack M12, X-coded, 8-pole, rear mounting, IP67 in unmated condition, potted**

P/N  
**MMT371A3B5-0009**  
**EAN 4251122174629**  
 2023/11/16  
 Version: K

**Technical Data**

**General Data**

Dimensions	
Dimension (D x H)	Ø 21.5 mm x 20.5 mm
Dimension (D x H)	0.846 in. x 0.807 in.
Ports	Single port
Solderability	Acc. to JEDEC JESD22-B102E 245°C/5s
Coding	X-coded

**Electrical characteristics**

Rated voltage	50 V AC / 60 V DC
Current carrying capacity at 40 °C	0.5 A
Insulation resistance	min. 100 MOhm
Overvoltage category	II
Degree of pollution	2

**Mechanical data**

Material	
Material - Housing	CuZnPb
Material - Contact	CuZnPb
Contact surface	Ni + Au
Shield material	CuSn
Material - Insulating body	PA UL94 V0
Life - Number of mating cycles	>= 100
Tightening torque - Plug	0,6 - 1 Nm
Tightening torque - Jack mounting	3 Nm +/- 0,5 Nm
Protection category	IP67 in unmated condition

**Climatic properties**

Temperature - Operating °C	-25 °C - 85 °C
Temperature - Operating °F	-13 °F - 185 °F

**Packaging**

Type of packaging	10 pc(s) / blister packaging
-------------------	------------------------------

Data sheet

Page 3/6

## PC board jack M12, X-coded, 8-pole, rear mounting, IP67 in unmated condition, potted

P/N  
**MMT371A3B5-0009**  
**EAN 4251122174629**  
 2023/11/16  
 Version: K

### Technical Data

#### Standards/Regulations

Railway applications

Electronic equipment used on rolling stock	following to DIN EN 50155
Fire protection on railway vehicles	following to DIN EN 45545-2
Contact holder	Thermoplastic HL3 according to R22 EN 45545-2
Sealings	Elastomer
Shock and vibration	DIN EN 50155:2018-05, DIN EN 61373:2011-04 Class 1 Category B
Salt spray	DIN EN 50155:2018-05, (DIN EN 60068-2-11:2000-02/ 48h test KA)

#### Classifications

ETIM 7.0	EC002637
ETIM 8.0	EC002637
ETIM 9.0	EC002637

© 2023 METZ CONNECT - Technische Änderungen vorbehalten! Subject to modifications! Sous réserve de modifications techniques!

# U | Contact

Data sheet

Page 4/6

**PC board jack M12, X-coded, 8-pole, rear mounting,  
IP67 in unmated condition, potted**

P/N

MMT371A3B5-0009

EAN 4251122174629

2023/11/16

Version: K

## Accessories

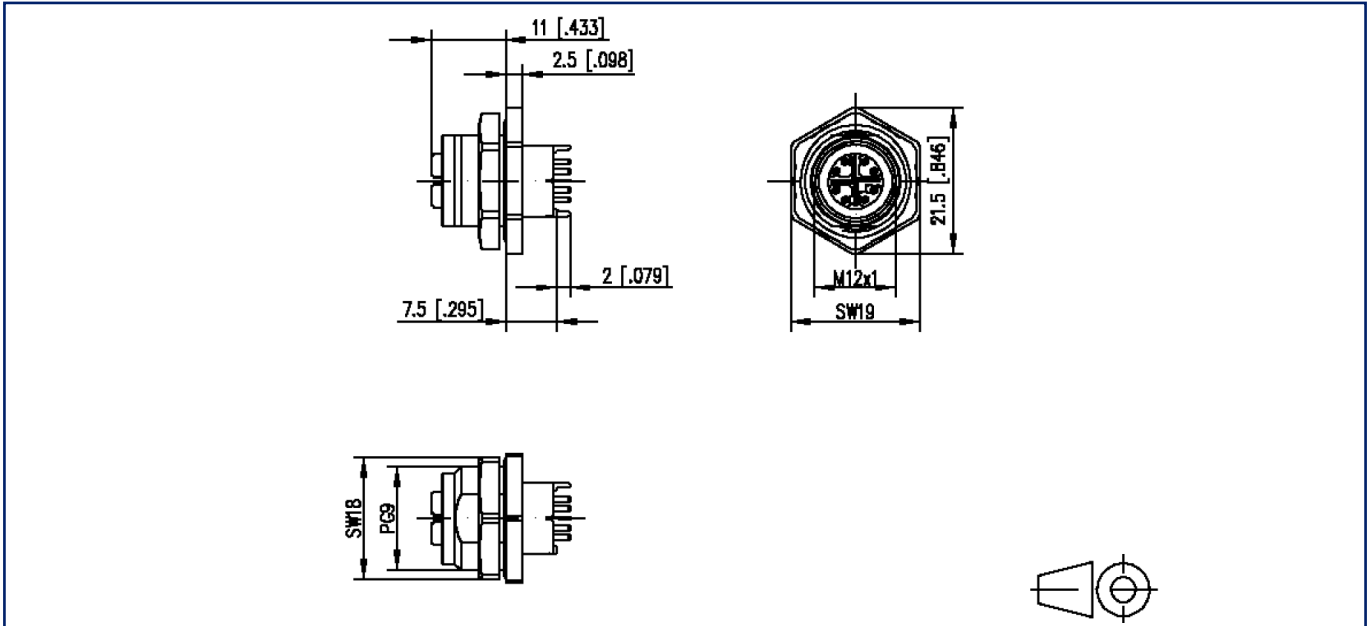
P/N	Designation
700701	M12 screw plug for jacks IP54

© 2023 METZ CONNECT - Technische Änderungen vorbehalten! Subject to modifications! Sous réserve de modifications techniques!

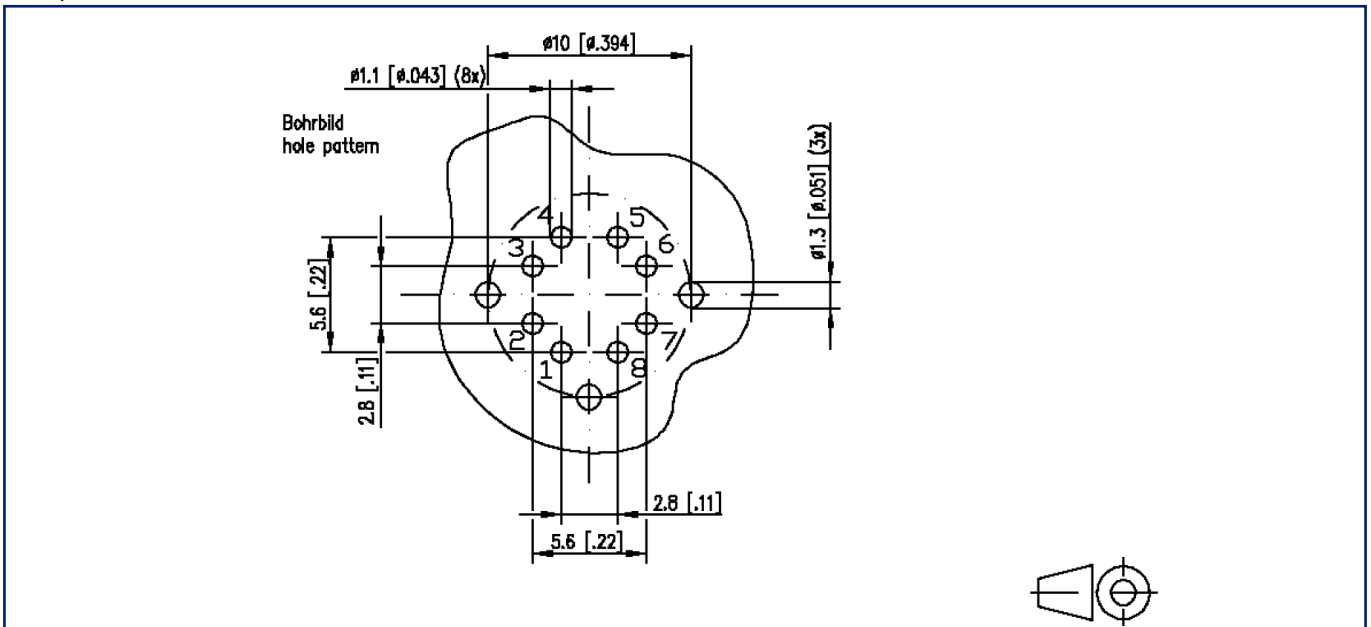


**Illustrations**

Dimensional drawing

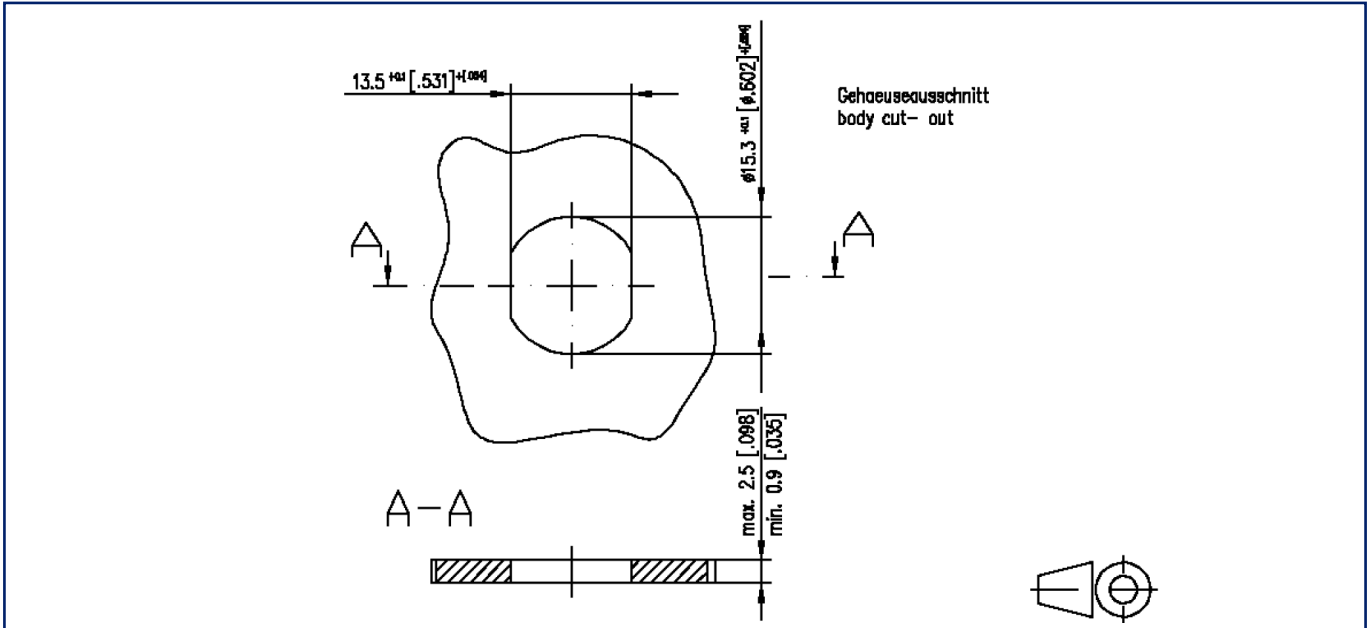


Drill pattern



Illustrations

Cut-out



© 2023 METZ CONNECT - Technische Änderungen vorbehalten! Subject to modifications! Sous réserve de modifications techniques!