

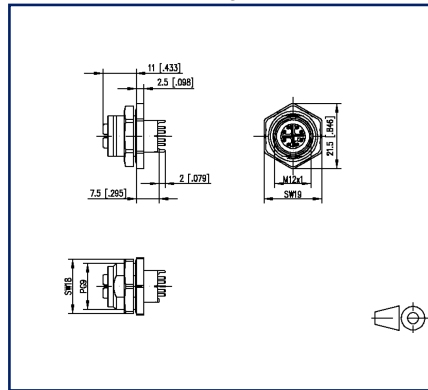
Data sheet

PC board jack M12, X-coded, 8-pole, IP67, rear mounting

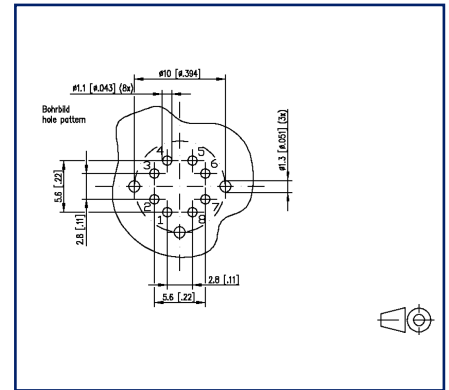
Illustrations



Dimensional drawing



Drill pattern



See enlarged drawings at the end of document

Product specification

- PC board jack M12
- 8-pole, X-coded according to IEC 61076-2-109
- rear mounting
- 10 GBit suitable according to IEEE 802.3an
- THR solderable
- Top entry
- Contact carriers green
- IP67 when plugged in
- suitable for applications in the railway industry according to data sheet

PC board jack M12, X-coded, 8-pole, IP67, rear mounting

P/N
MMT371A3B5
EAN 4250184158493
2023/07/04
Version: I

Technical Data

General Data

Dimensions

Dimension (D x H)	Ø 21.5 mm x 20.5 mm
Dimension (D x H)	0.846 in. x 0.807 in.
Ports	Single port
Coding	X-coded

Electrical characteristics

Rated voltage	50 V AC / 60 V DC
Current carrying capacity at 40 °C	0.5 A
Insulation resistance	min. 100 MOhm
Overvoltage category	II
Degree of pollution	2

Mechanical data

Material

Material - Housing	CuZnPb
Material - Contact	CuZnPb
Contact surface	Ni + Au
Shield material	CuSn
Material - Insulating body	PA UL94 V0
Life - Number of mating cycles	>= 100
Tightening torque - Plug	0,6 - 1 Nm
Tightening torque - Jack mounting	3 Nm +/- 0,5 Nm
Protection category	IP67 when plugged in

Climatic properties

Temperature - Operating °C	-40 °C - 85 °C
Temperature - Operating °F	-40 °F - 185 °F

Approvals

Approval mark UL	E178484
------------------	---------

Data sheet
**PC board jack M12, X-coded, 8-pole, IP67,
 rear mounting**

Technical Data

Packaging

Type of packaging 10 pc(s) / blister packaging

Standards/Regulations

Railway applications	
Electronic equipment used on rolling stock	following to DIN EN 50155
Fire protection on railway vehicles	following to DIN EN 45545-2
Contact holder	Thermoplastic HL3 according to R22 EN 45545-2
Sealings	Elastomer
Shock and vibration	DIN EN 50155:2018-05, DIN EN 61373:2011-04 Class 1 Category B
Salt spray	DIN EN 50155:2018-05, (DIN EN 60068-2-11:2000-02/ 48h test KA)

Classifications

ETIM 7.0	EC002637
ETIM 8.0	EC002637
ETIM 9.0	EC002637

© 2023 METZ CONNECT - Technische Änderungen vorbehalten! Subject to modifications! Sous réserve de modifications techniques!

U | Contact

Data sheet

Page 4/6

**PC board jack M12, X-coded, 8-pole, IP67,
rear mounting**

P/N

MMT371A3B5

EAN 4250184158493

2023/07/04

Version: I

Accessories

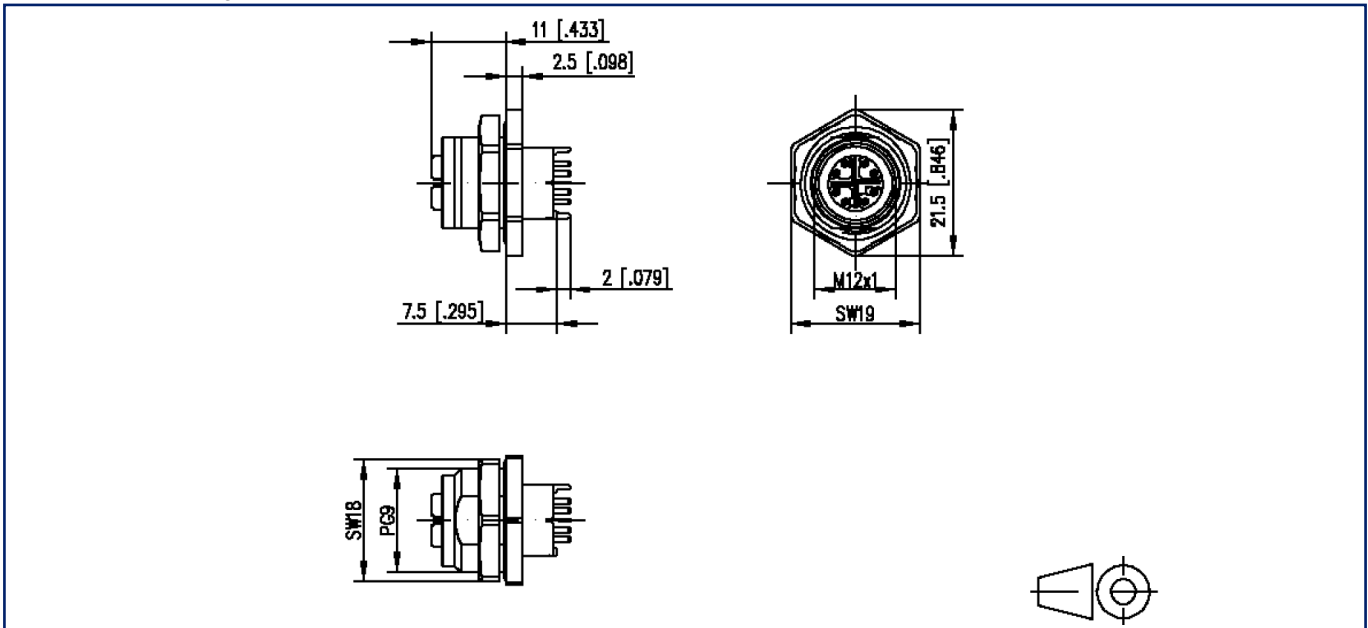
P/N	Designation
700701	M12 screw plug for jacks IP54

© 2023 METZ CONNECT - Technische Änderungen vorbehalten! Subject to modifications! Sous réserve de modifications techniques!

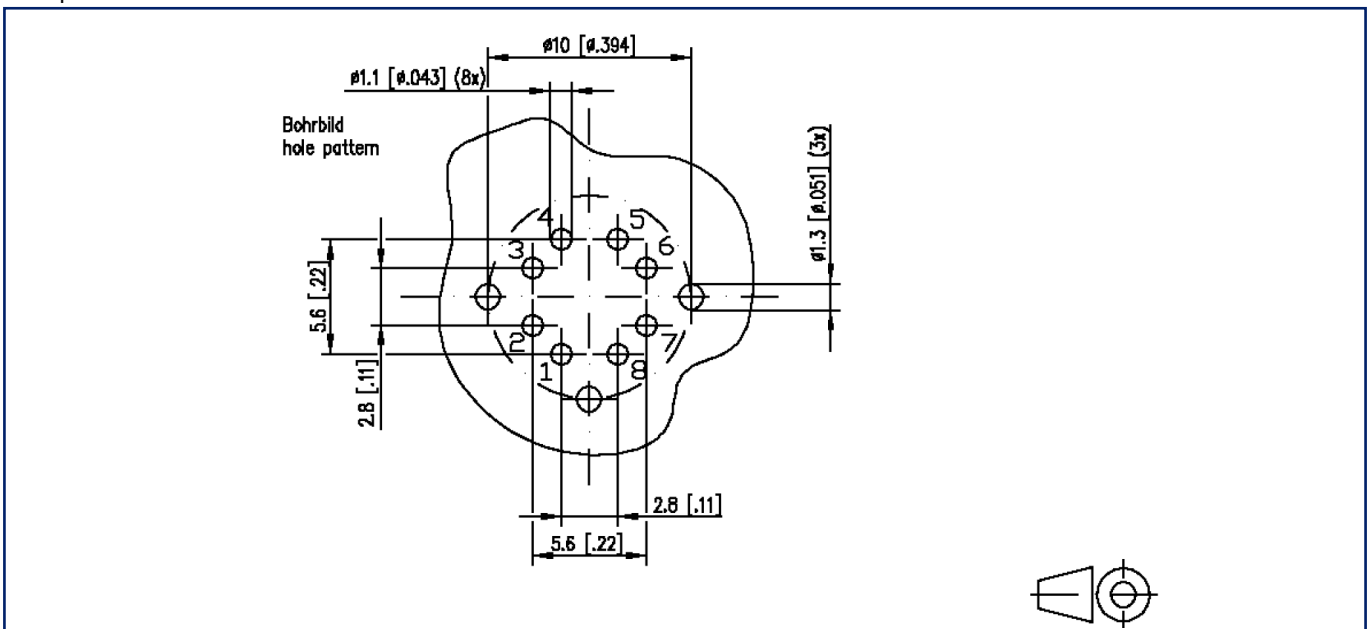


Illustrations

Dimensional drawing

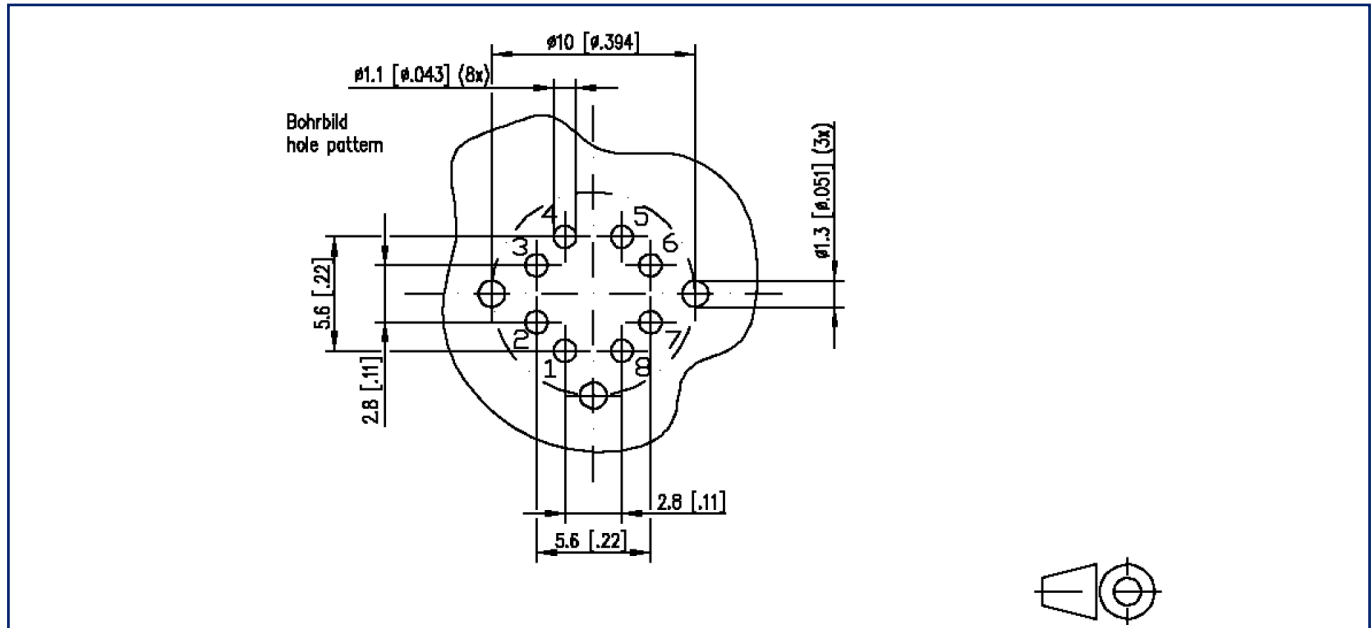


Drill pattern



Illustrations

Drill pattern



Cut-out

