

## Data sheet

PC board jack M12, X-coded, 8-pole, IP67,  
90° angled, max. 5 mm wall thickness

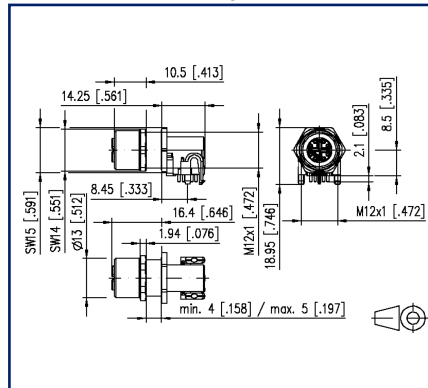
Page 1/6

P/N  
MMT471A315-0002  
EAN 4250184169499  
2023/07/04  
Version: J

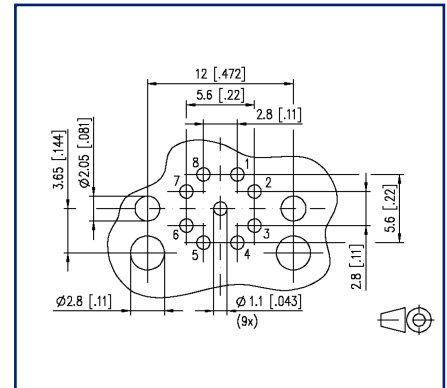
### Illustrations



Dimensional drawing



Drill pattern



See enlarged drawings at the end of document

### Product specification

- PC board jack M12
- 8-pole, X-coded according to IEC 61076-2-109
- 90° angled
- 10 GBit suitable according to IEEE 802.3an
- THR solderable
- Side entry
- Contact carriers green
- IP67 when plugged in
- suitable for a wall thickness up to 5 mm
- suitable for applications in the railway industry according to data sheet



## PC board jack M12, X-coded, 8-pole, IP67, 90° angled, max. 5 mm wall thickness

P/N  
MMT471A315-0002  
EAN 4250184169499  
2023/07/04  
Version: J

### Technical Data

#### General Data

##### Dimensions

Dimension (L x W x H)	30.65 mm x 16.82 mm x 18.95 mm
Dimension (L x W x H)	1.207 in. x 0.662 in. x 0.746 in.
Jack	M12
Coding	X-coded
For wall thickness (mm)	5 mm
For wall thickness (inch)	0.197 in.

#### Electrical characteristics

Rated voltage	50 V AC / 60 V DC
Nominal current at 50 °C	max. 0.5 A
Insulation resistance	min. 100 MOhm
Overvoltage category	II
Degree of pollution	2

#### Mechanical data

##### Material

Material - Housing	CuZnPb
Material - Contact	CuZnPb
Contact surface	Ni + Au
Material - Insulating body	PA UL94 V0
Life - Number of mating cycles	>= 100
Tightening torque - Plug	0,6 - 1 Nm
Tightening torque - Jack mounting	3 Nm +/- 0,5 Nm
Protection category	IP67 when plugged in

#### Climatic properties

Temperature - Operating °C	-40 °C - 85 °C
Temperature - Operating °F	-40 °F - 185 °F

Data sheet

Page 3/6

**PC board jack M12, X-coded, 8-pole, IP67,  
90° angled, max. 5 mm wall thickness**

P/N  
MMT471A315-0002  
EAN 4250184169499  
2023/07/04  
Version: J

## Technical Data

### Approvals

Approval mark UL E178484

### Packaging

Type of packaging 10 pc(s) / blister packaging

### Standards/Regulations

Railway applications

Electronic equipment used on rolling stock	following to DIN EN 50155
Fire protection on railway vehicles	following to DIN EN 45545-2
Contact holder	Thermoplastic HL3 according to R22 EN 45545-2
Sealings	Elastomer
Shock and vibration	DIN EN 50155:2018-05, DIN EN 61373:2011-04 Class 1 Category B
Salt spray	DIN EN 50155:2018-05, (DIN EN 60068-2-11:2000-02/ 48h test KA)

### Classifications

ETIM 7.0	EC002637
ETIM 8.0	EC002637
ETIM 9.0	EC002637



# U | Contact

Data sheet

Page 4/6

**PC board jack M12, X-coded, 8-pole, IP67,  
90° angled, max. 5 mm wall thickness**

P/N

MMT471A315-0002

EAN 4250184169499

2023/07/04

Version: J

## Accessories

P/N	Designation
700701	M12 screw plug for jacks IP54

© 2023 METZ CONNECT - Technische Änderungen vorbehalten! Subject to modifications! Sous réserve de modifications techniques!



# U | Contact

Data sheet

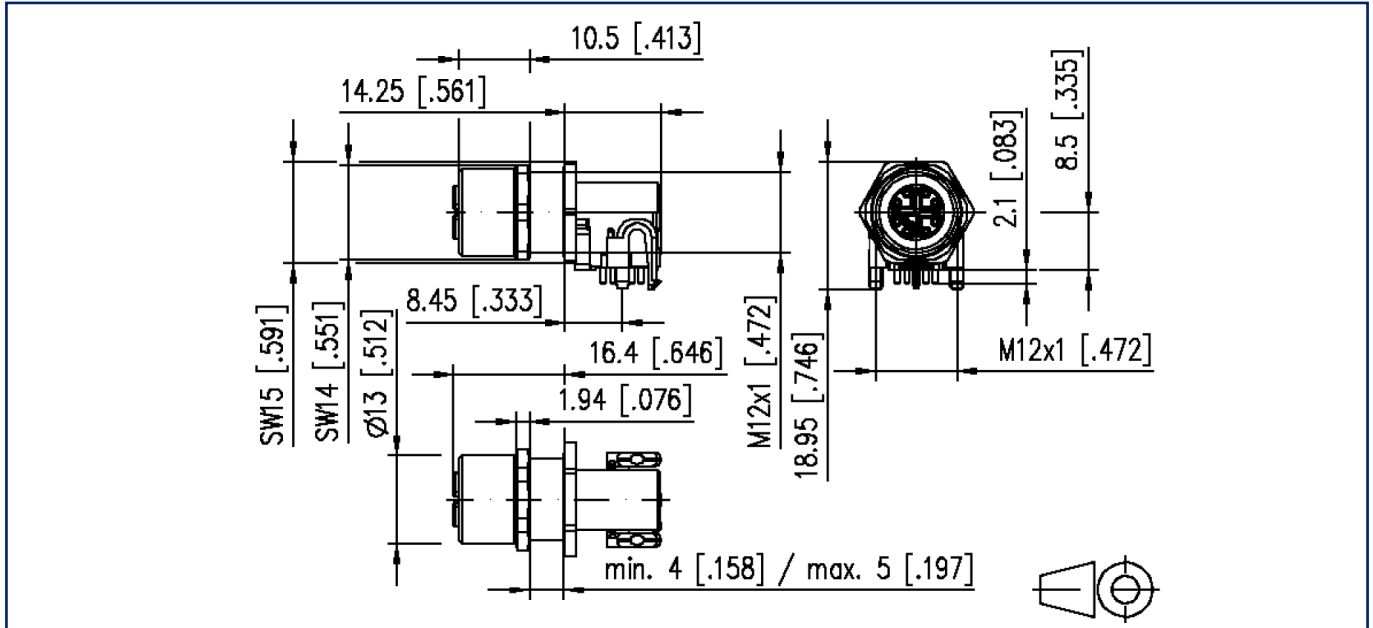
Page 5/6

**PC board jack M12, X-coded, 8-pole, IP67,  
90° angled, max. 5 mm wall thickness**

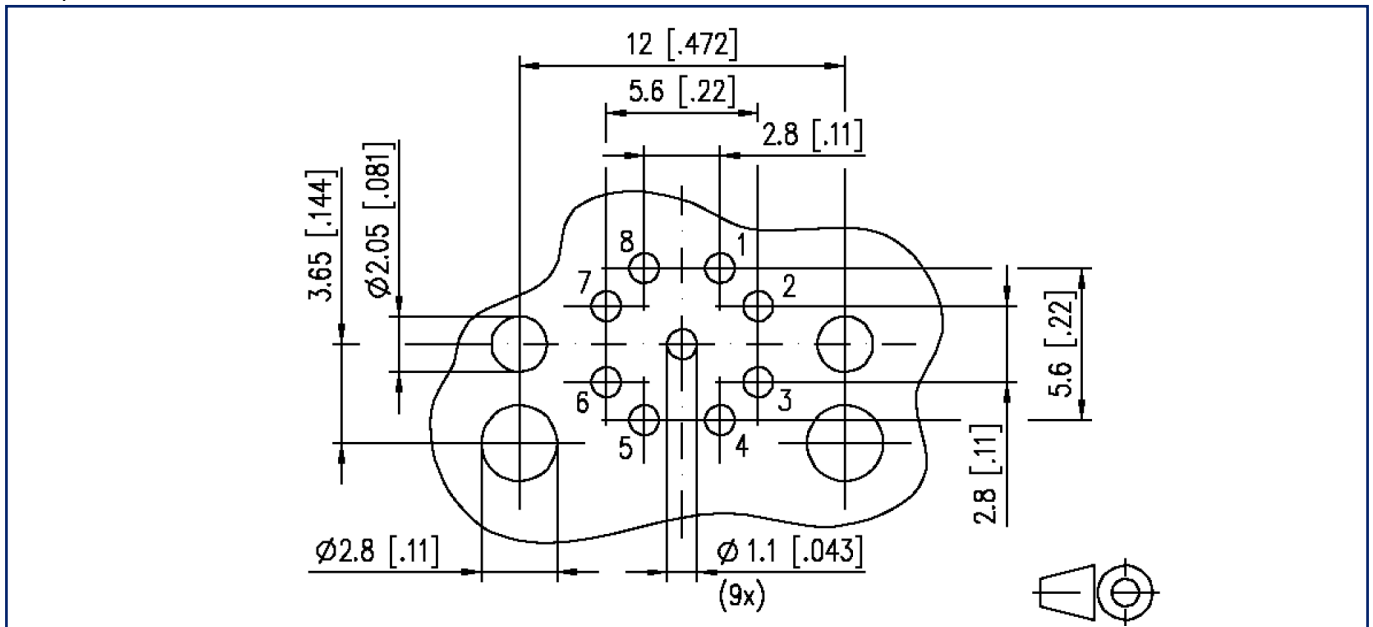
P/N  
MMT471A315-0002  
EAN 4250184169499  
2023/07/04  
Version: J

## Illustrations

Dimensional drawing



Drill pattern



# U | Contact

Data sheet

Page 6/6

**PC board jack M12, X-coded, 8-pole, IP67,  
90° angled, max. 5 mm wall thickness**

P/N  
MMT471A315-0002  
EAN 4250184169499  
2023/07/04  
Version: J

## Illustrations

Cut-out

