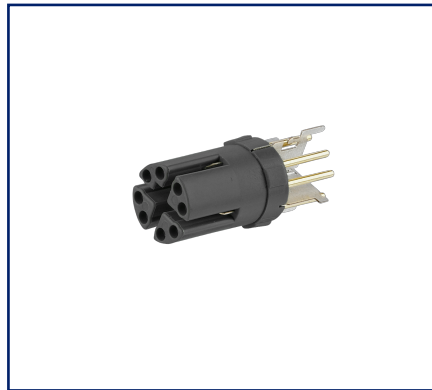


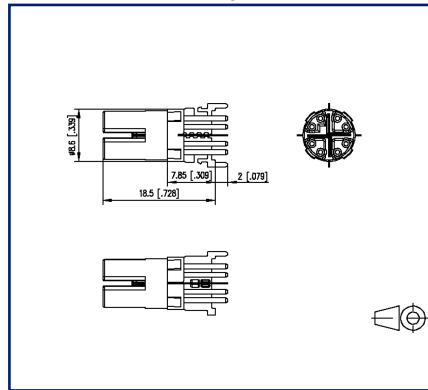
# Data sheet

## PC board insert M12, X-coded, 8-pole, black

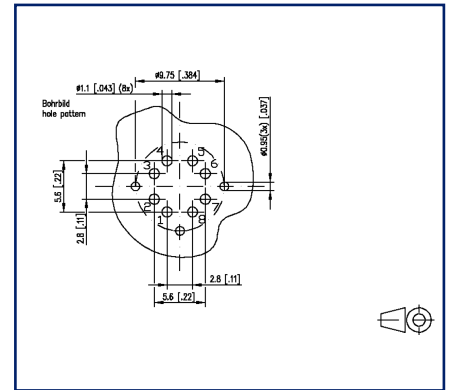
### Illustrations



Dimensional drawing



Drill pattern



See enlarged drawings at the end of document

### Product specification

- PC board insert M12
- 8-pole, X-coded according to IEC 61076-2-109
- 10 GBit suitable according to IEEE 802.3an
- THR solderable
- Top entry
- Contact carriers black
- suitable for applications in the railway industry according to data sheet

### Technical Data

#### General Data

##### Dimensions

Dimension (D x H)	Ø 9.2 mm x 20.5 mm
Dimension (D x H)	0.362 in. x 0.807 in.
Ports	Single port
Coding	X-coded

#### Electrical characteristics

Rated voltage	50 V AC / 60 V DC
Current carrying capacity at 40 °C	0.5 A
Insulation resistance	min. 100 MOhm
Overvoltage category	II
Degree of pollution	2

#### Mechanical data

##### Material

Material - Contact	CuZnPb
Contact surface	Ni + Au
Shield material	CuSn
Material - Insulating body	PA UL94 V0
Color	black
Life - Number of mating cycles	>= 100

#### Climatic properties

Temperature - Operating °C	-40 °C - 85 °C
Temperature - Operating °F	-40 °F - 185 °F

#### Approvals

Approval mark UL	E178484
------------------	---------

#### Packaging

Type of packaging	10 pc(s) / blister packaging
-------------------	------------------------------

### Technical Data

#### Standards/Regulations

##### Railway applications

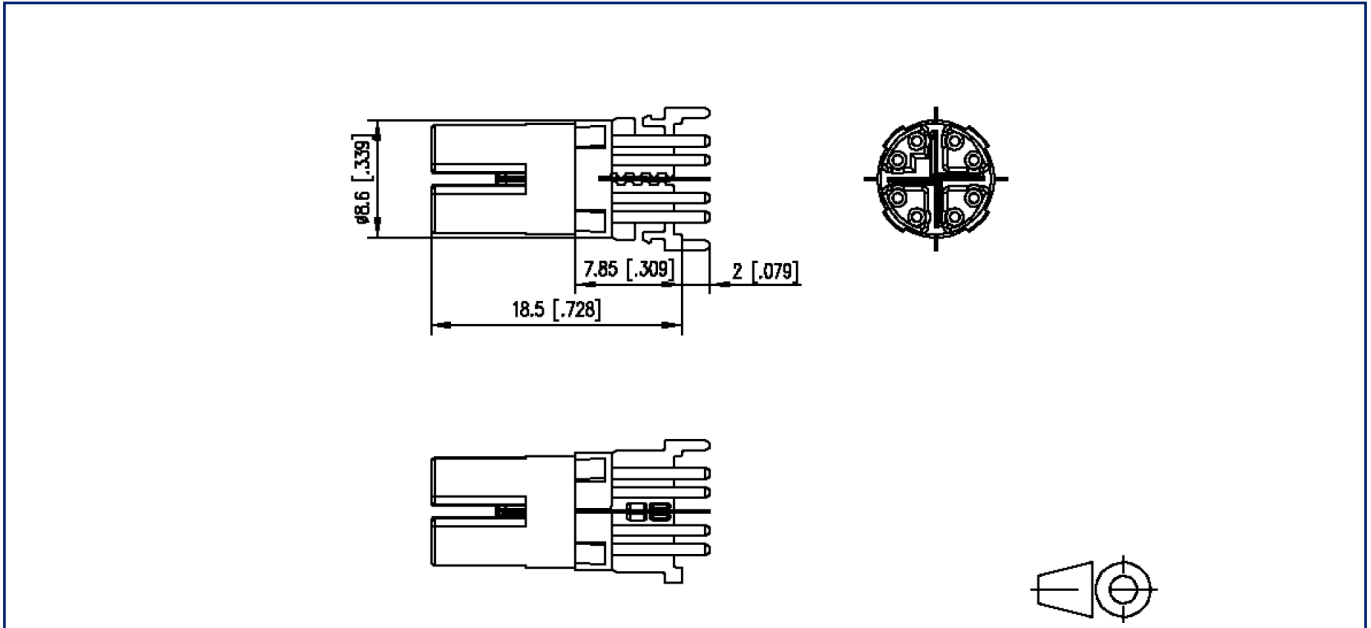
Electronic equipment used on rolling stock	following to DIN EN 50155
Fire protection on railway vehicles	following to DIN EN 45545-2

#### Classifications

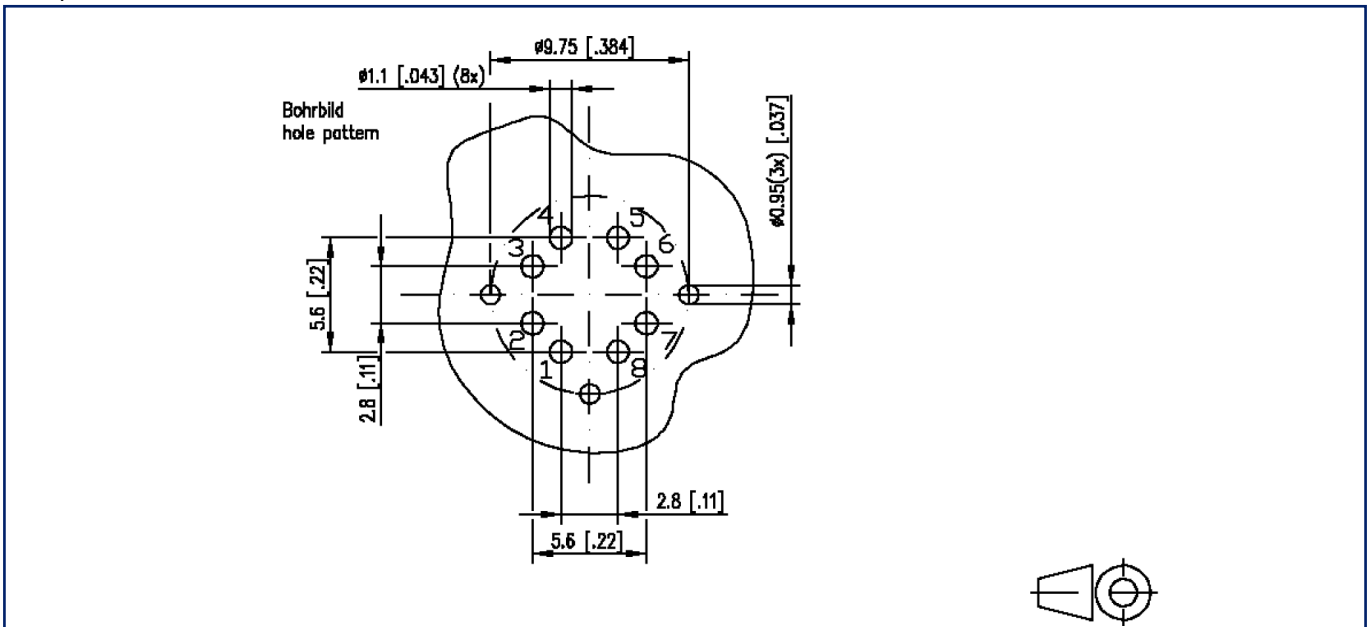
ETIM 7.0	EC002637
ETIM 8.0	EC002637
ETIM 9.0	EC002637

**Illustrations**

Dimensional drawing



Drill pattern



**Illustrations**

Snap-in geometry

