

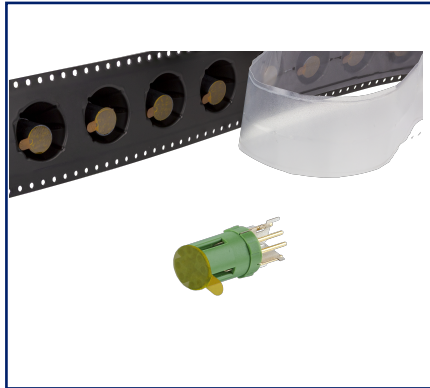
Data sheet

PC board insert M12, X-coded, 8-pole, green, Tape & Reel

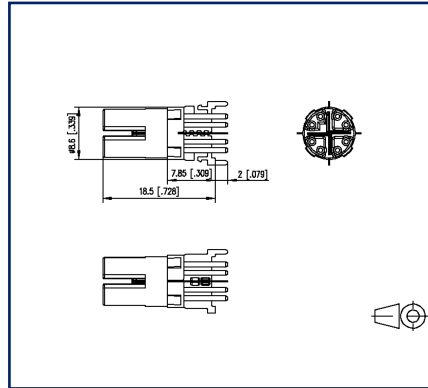
Page 1/5

P/N
MMT060A315-G2
EAN 4251394627977
2023/07/04
Version: K

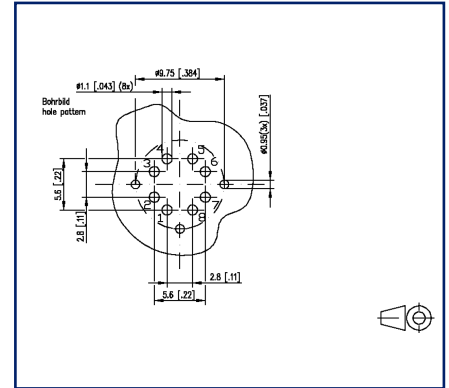
Illustrations



Dimensional drawing



Drill pattern



See enlarged drawings at the end of document

Product specification

- PC board insert M12
- 8-pole, X-coded according to IEC 61076-2-109
- 10 GBit suitable according to IEEE 802.3an
- THR solderable
- Top entry
- Contact carriers green
- Tape & Reel packaging
- suitable for applications in the railway industry according to data sheet



Data sheet
**PC board insert M12, X-coded, 8-pole, green,
 Tape & Reel**

Technical Data

General Data

Dimensions	
Dimension (D x H)	Ø 9.2 mm x 20.5 mm
Dimension (D x H)	0.362 in. x 0.807 in.
Ports	Single port
Coding	X-coded

Electrical characteristics

Rated voltage	50 V AC / 60 V DC
Current carrying capacity at 40 °C	0.5 A
Insulation resistance	min. 100 MOhm
Overvoltage category	II
Degree of pollution	2

Mechanical data

Material	
Material - Contact	CuZnPb
Contact surface	Ni + Au
Shield material	CuSn
Material - Insulating body	PA UL94 V0
Color	green
Life - Number of mating cycles	>= 100

Climatic properties

Temperature - Operating °C	-40 °C - 85 °C
Temperature - Operating °F	-40 °F - 185 °F

Approvals

Approval mark UL	E178484
------------------	---------

Packaging

Type of packaging	160 pc(s) / Tape & Reel
-------------------	-------------------------

Data sheet

Page 3/5

**PC board insert M12, X-coded, 8-pole, green,
Tape & Reel**

P/N
MMT060A315-G2
EAN 4251394627977
2023/07/04
Version: K

Technical Data**Standards/Regulations**

Railway applications

Electronic equipment used on rolling stock	following to DIN EN 50155
Fire protection on railway vehicles	following to DIN EN 45545-2

Classifications

ETIM 7.0	EC002637
ETIM 8.0	EC002637
ETIM 9.0	EC002637

U | Contact

Data sheet

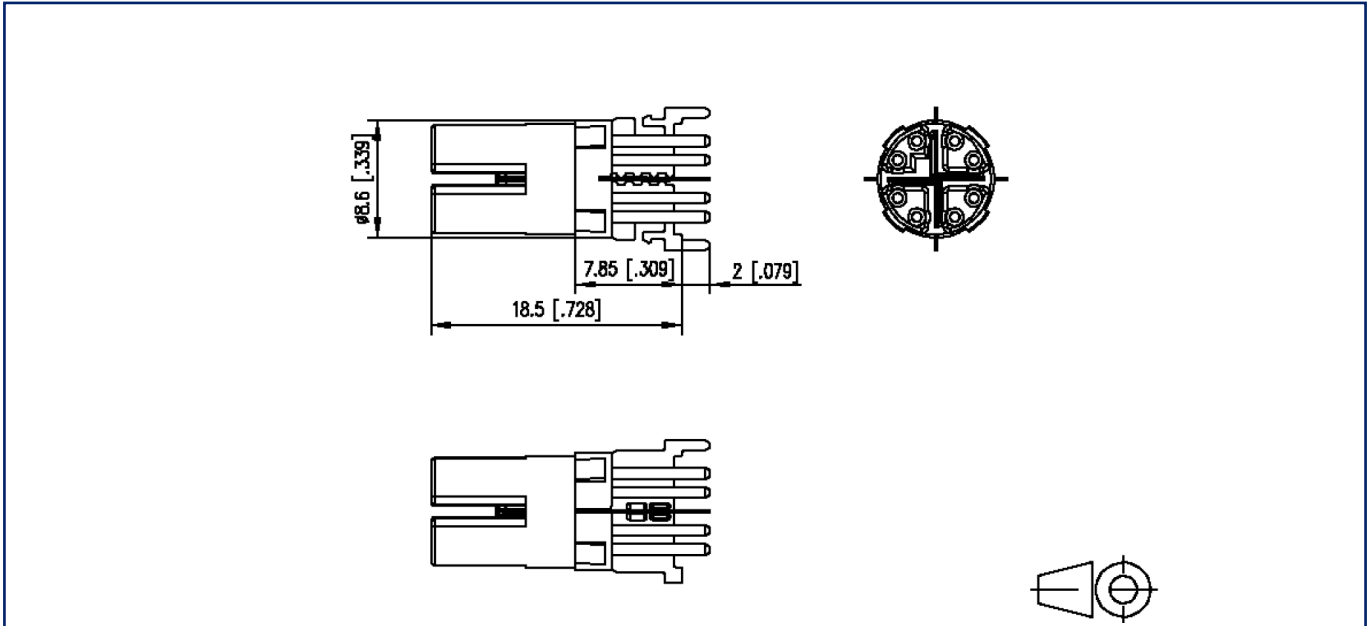
**PC board insert M12, X-coded, 8-pole, green,
Tape & Reel**

Page 4/5

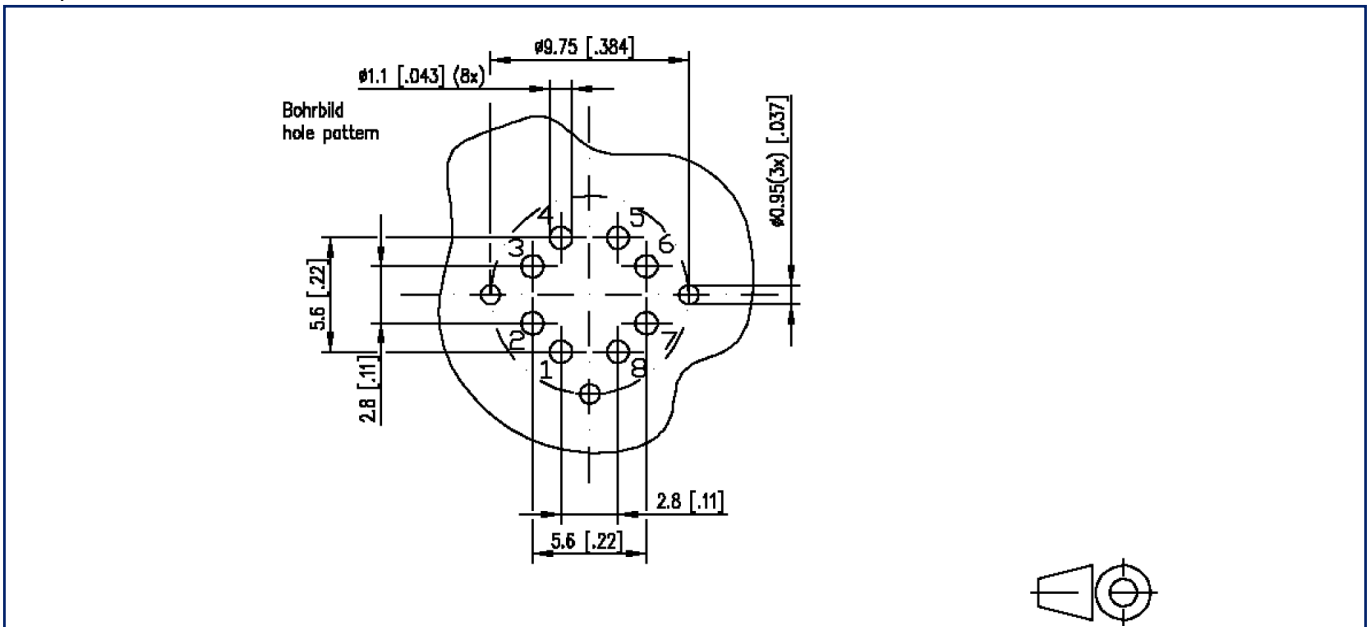
P/N
MMT060A315-G2
EAN 4251394627977
2023/07/04
Version: K

Illustrations

Dimensional drawing



Drill pattern



Illustrations

Snap-in geometry

