

## Data sheet

### OpDAT Industry IP67 V14 bulkhead central screw mounting + SC-RJ/2SC SM adapter insert

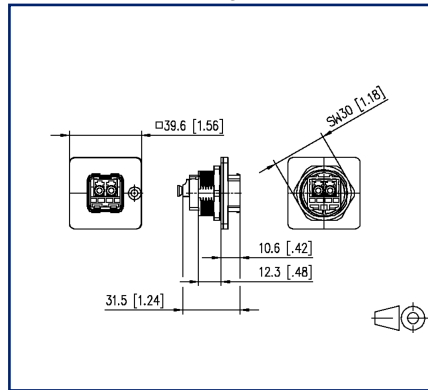
Page 1/6

P/N  
1402K83320ME  
EAN 4250184123552  
2023/04/05  
Version: X

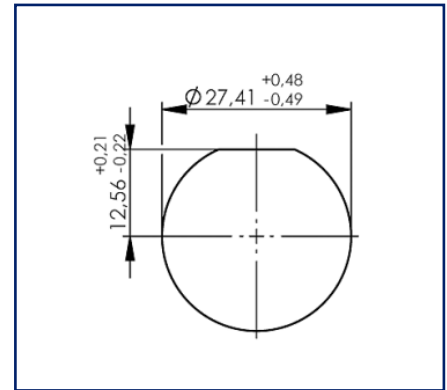
## Illustrations



Dimensional drawing



Cut-out



See enlarged drawings at the end of document

## Product specification

- flange with push-pull-lock acc. to ISO/IEC 24702 and IEC 61076-3-117 var. 14
- fiber optic cable adapter made of plastic
- slotted zirconium oxide ceramics sleeve (ZrO<sub>2</sub>) for single mode applications
- slotted metal sleeve (Ph-Br) for multi mode applications
- compliance with EN 50173-1 or ISO/IEC 24702 with regard to the limits for insertion loss
- flame-retardant and halogen-free plastic housing and adapter dust covers
- easy to mount due to round wall recesses made with inserts for commercially available punch pliers
- mounting from the front
- industry-compatible metal housing with improved durability
- flammability class as per UL 94V-0
- improved resistance to chemical substances

variants:

LC-D

blue (SM), beige (MM)

SC-RJ/2SC

blue (SM), beige (MM)

## OpDAT Industry IP67 V14 bulkhead central screw mounting + SC-RJ/2SC SM adapter insert

P/N  
1402K83320ME  
EAN 4250184123552  
2023/04/05  
Version: X

### Technical Data

#### General Data

|   |                                  |
|---|----------------------------------|
| Fields of application                         | harsh environment                |
| Mechanical measurement according to MICE      | M1                               |
| Ingress measurement according to MICE         | I1                               |
| Climatic measurement according to MICE        | C1                               |
| Electromagnetic measurement according to MICE | E3                               |
| Design  | coupler / adapter (FO)           |
| Mounting style                                | front side                       |
| Transmission technology                       | Fiber optic                      |
| Color   | metallike                        |
| Color protective housing                      | metallike                        |
| Dimensions                                    |                                  |
| Dimension (L x W x H)                         | 31.5 mm x 39.6 mm x 39.6 mm      |
| Dimension (L x W x H)                         | 1.24 in. x 1.559 in. x 1.559 in. |
| Mode type of the fiber                        | Singlemode                       |
| Labeling option                               | on housing                       |

#### Connections/interfaces

|  |           |
|--|-----------|
| Connector technology interface 1                 | SC-RJ/2SC |
| Connector technology interface 2                 | SC-RJ/2SC |
| Number of ports interface 1                      | 1         |
| Number of ports interface 2                      | 1         |
| Number of equipped ports interface 1             | 1         |
| Number of ports interface 2 equipped             | 1         |
| Number of ports with dust protection interface 2 | 1         |
| Protective housing interface 1                   | V14       |
| Protective housing interface 2                   | V14       |

#### Mechanical data

|                                |                  |
|--------------------------------|------------------|
| Cut-out                        | SC, LC-D, E2000  |
| Mounting method                | with central nut |
| Mounting style                 | front side       |
| Life - Number of mating cycles | min. 1000        |

## OpDAT Industry IP67 V14 bulkhead central screw mounting + SC-RJ/2SC SM adapter insert

P/N  
1402K83320ME  
EAN 4250184123552  
2023/04/05  
Version: X

### Technical Data

#### Materials and material properties

|                                   |                                  |
|-----------------------------------|----------------------------------|
| Material - Housing                | Plastics                         |
| Material - Protective housing     | metal                            |
| Material - Sleeve                 | ceramic, slotted                 |
| Material - Supporting body finish | Ni (nickel)                      |
| Material - Dust protection        | flame retardant and halogen free |
| Halogen free                      | yes                              |
| RoHS                              | compliant                        |

#### Environmental conditions

|                               |                              |
|-------------------------------|------------------------------|
| Particulate ingress           | IP6X with protective housing |
| Liquid ingress/immersion      | IPX7 with protective housing |
| Increased chemical resistance | yes                          |

General information  
This product is suitable for use in industrial environments inside buildings with IPxy protection class according to DIN EN 60529 specified in this data sheet. Not specified for outdoor applications.

#### Standards/Regulations

|  |   |
|--|---|
| Generic cabling systems                      |   |
| Industrial area                              | ISO/IEC 24702 AMD 1   DIN EN 50173-3<br>ANSI/TIA-1005 |
| Degrees of Protection Provided by Enclosures | IEC 60529:2014-09                                     |
| Connectors for electronic equipment          |   |
| Rectangular connectors                       | DIN EN 61076-3-117                                    |

#### Classifications

|          |          |
|----------|----------|
| ETIM 5.0 | EC002597 |
| ETIM 6.0 | EC002598 |
| ETIM 7.0 | EC002598 |
| ETIM 8.0 | EC002598 |
| ETIM 9.0 | EC002598 |

#### Packing details

|                                 |                         |
|---------------------------------|-------------------------|
| Type of packaging               | 10 pc(s) / box          |
| Packaging unit - Weight (gram)  | 636 g                   |
| Packaging unit - Weight (pound) | 1.4 lb                  |
| Packaging dimension             | 51 mm x 258 mm x 164 mm |

# P | Cabling

Data sheet

Page 4/6

## OpDAT Industry IP67 V14 bulkhead central screw mounting + SC-RJ/2SC SM adapter insert

P/N

1402K83320ME

EAN 4250184123552

2023/04/05

Version: X

### Technical Data

#### Packing details

Packaging dimension 2.008 in. x 10.157 in. x 6.457 in.



# P | Cabling

Data sheet

Page 5/6

## OpDAT Industry IP67 V14 bulkhead central screw mounting + SC-RJ/2SC SM adapter insert

P/N

1402K83320ME

EAN 4250184123552

2023/04/05

Version: X

### Accessories

| P/N          | Designation                                   |
|--------------|---|
| 1401088102KI | E-DAT Industry IP67 V14 flange protection cap |

© 2023 METZ CONNECT - Technische Änderungen vorbehalten! Subject to modifications! Sous réserve de modifications techniques!



# P | Cabling

Data sheet

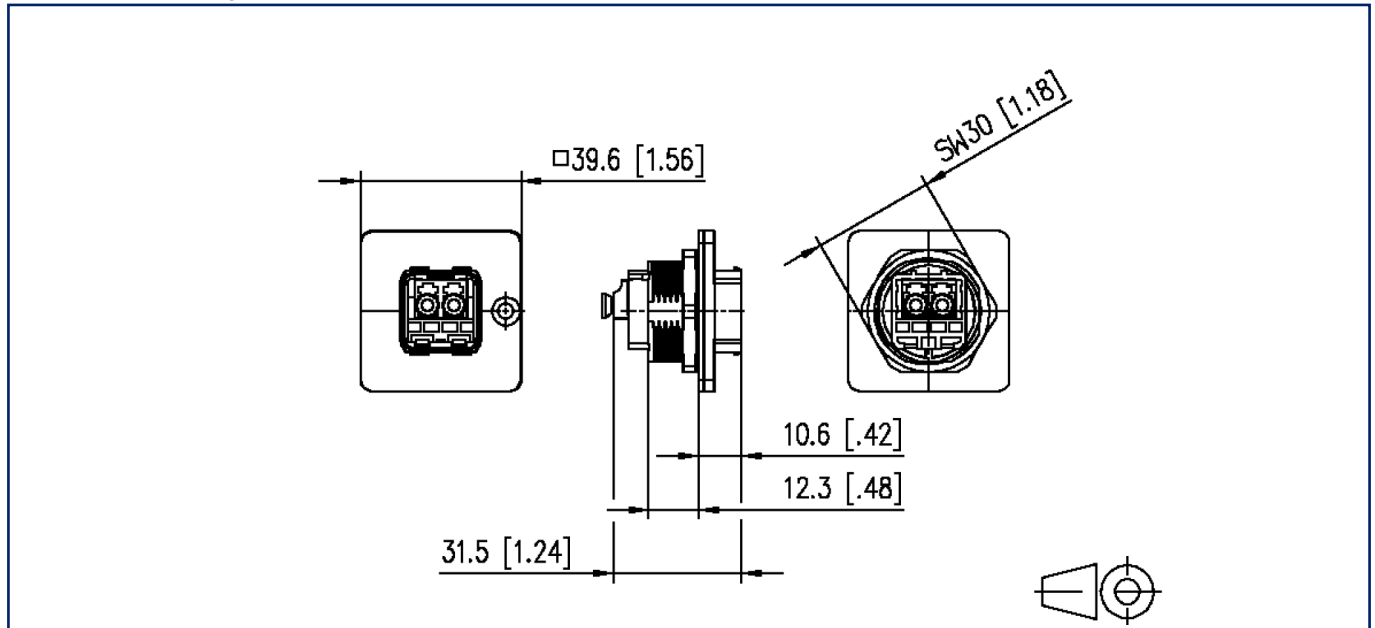
Page 6/6

## OpDAT Industry IP67 V14 bulkhead central screw mounting + SC-RJ/2SC SM adapter insert

P/N  
1402K83320ME  
EAN 4250184123552  
2023/04/05  
Version: X

### Illustrations

Dimensional drawing



Cut-out

