

Data sheet

Industry IP67 V5 metal bulkhead protective cap

Page 1/5

P/N

1401068100MI

EAN 4250184114307

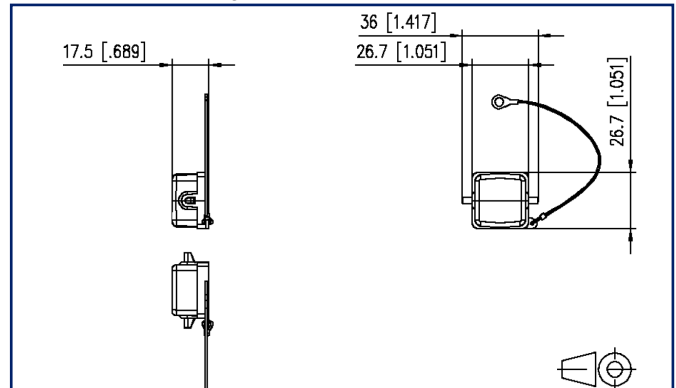
2023/03/30

Version: M

Illustrations



Dimensional drawing



See enlarged drawings at the end of document

Product specification

- good ingress protection also if not plugged in due to tight IP67 protective cap
- flammability class as per UL 94V-0
- improved resistance to chemical substances
- captive, attached protective cap
- variants: protective cap for plug or flange



Technical Data

General Data

Mechanical measurement according to MICE	M1
Ingress measurement according to MICE	I1
Climatic measurement according to MICE	C1
Electromagnetic measurement according to MICE	E3
Design	protective cap
Mounting style	Accessories
Color	gray
Dimensions	
Dimension (L x W x H)	17.5 mm x 36 mm x 26.7 mm
Dimension (L x W x H)	0.689 in. x 1.417 in. x 1.051 in.

Connections/interfaces

Protective housing	V5
--------------------	----

Mechanical data

IP67-protective cap	captive
---------------------	---------

Materials and material properties

Material	metal
Halogen free	yes
RoHS	compliant

Environmental conditions

Particulate ingress	IP6X
Liquid ingress/immersion	IPX7
Increased chemical resistance	yes
General information	This product is suitable for use in industrial environments inside buildings with IPxy protection class according to DIN EN 60529 specified in this data sheet. Not specified for outdoor applications.

Standards/Regulations

Degrees of Protection Provided by Enclosures	IEC 60529
--	-----------

P | Cabling

Data sheet

Page 3/5

Industry IP67 V5 metal bulkhead protective cap

P/N

1401068100MI

EAN 4250184114307

2023/03/30

Version: M

Technical Data

Classifications

ETIM 5.0	EC002597
ETIM 6.0	EC002597
ETIM 7.0	EC002314
ETIM 8.0	EC002314
ETIM 9.0	EC002314

Packing details

	8 pc(s)
Packaging unit - Weight (gram)	216 g
Packaging unit - Weight (pound)	0.48 lb
Packaging dimension	400 mm x 300 mm x 325 mm
Packaging dimension	15.748 in. x 11.811 in. x 12.795 in.



P | Cabling

Data sheet

Page 4/5

Industry IP67 V5 metal bulkhead protective cap

P/N

1401068100MI

EAN 4250184114307

2023/03/30

Version: M

Accessories from

P/N	Designation
1401060320ME	E-DAT Industry IP67 V5 2 port metal surface mount housing
1401063300ME	Industry IP67 V5 metal bulkhead
1401163310ME	E-DAT Industry IP67 V5 metal bulkhead + RJ45 field jack insert Cat.6 Class E _A , T568A
1401263310ME	E-DAT Industry IP67 V5 metal bulkhead + RJ45 coupler insert Cat.6 Class E _A



P | Cabling

Data sheet

Page 5/5

Industry IP67 V5 metal bulkhead protective cap

P/N

1401068100MI

EAN 4250184114307

2023/03/30

Version: M

Illustrations

Dimensional drawing

