

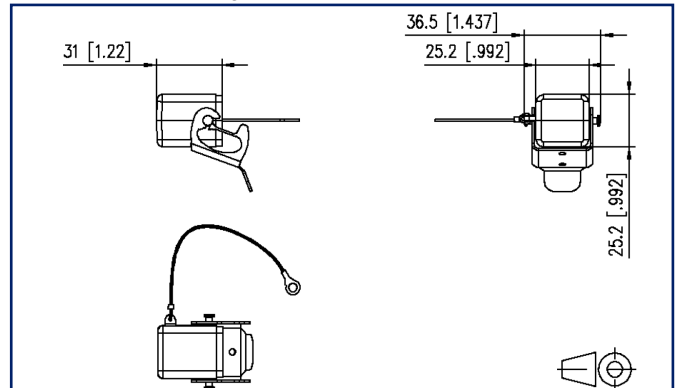
## Data sheet

### Industry IP67 V5 metal plug protective cap

## Illustrations



### Dimensional drawing



See enlarged drawings at the end of document

## Product specification

- good ingress protection also if not plugged in due to tight IP67 protective cap
- flammability class as per UL 94V-0
- improved resistance to chemical substances
- captive, attached protective cap
- variants: protective cap for plug or flange



# P | Cabling

Data sheet

Page 2/5

## Industry IP67 V5 metal plug protective cap

P/N

1401068000MI

EAN 4250184114185

2023/05/02

Version: O

### Technical Data

#### General Data

Fields of application	harsh environment
Mechanical measurement according to MICE	M1
Ingress measurement according to MICE	I1
Climatic measurement according to MICE	C1
Electromagnetic measurement according to MICE	E3
Design	protective cap
Mounting style	Accessories
Color	gray
Dimensions	
Dimension (L x W x H)	31 mm x 36.5 mm x 25.2 mm
Dimension (L x W x H)	1.22 in. x 1.437 in. x 0.992 in.

#### Connections/interfaces

Protective housing	V5
--------------------	----

#### Mechanical data

IP67-protective cap	captive
---------------------	---------

#### Materials and material properties

Material	metal
Halogen free	yes
RoHS	compliant

#### Environmental conditions

Temperature (min. - max.)	
Temperature - Storage °C	-40 °C - 70 °C
Temperature - Storage °F	-40 °F - 158 °F
Particulate ingress	IP6X
Liquid ingress/immersion	IPX7
Increased chemical resistance	yes
General information	This product is suitable for use in industrial environments inside buildings with IPxy protection class according to DIN EN 60529 specified in this data sheet. Not specified for outdoor applications.

# P | Cabling

Data sheet

Page 3/5

## Industry IP67 V5 metal plug protective cap

P/N

1401068000MI

EAN 4250184114185

2023/05/02

Version: O

### Technical Data

#### Approvals

UL listed (file no.)



DUXR.E178484

#### Standards/Regulations

Degrees of Protection Provided by Enclosures IEC 60529

#### Classifications

ETIM 5.0 EC001121

ETIM 6.0 EC001121

ETIM 7.0 EC002314

ETIM 8.0 EC002314

ETIM 9.0 EC002314

#### Packing details

Type of packaging 10 pc(s) / box

Packaging unit - Weight (gram) 186 g

Packaging unit - Weight (pound) 0.41 lb

Packaging dimension 258 mm x 164 mm x 51 mm

Packaging dimension 10.157 in. x 6.457 in. x 2.008 in.

# P | Cabling

Data sheet

Page 4/5

## Industry IP67 V5 metal plug protective cap

P/N

1401068000MI

EAN 4250184114185

2023/05/02

Version: O

### Accessories from

P/N	Designation
1401065000ME	Industry IP67 V5 metal plug housing
1401465010ME	E-DAT Industry IP67 V5 metal plug housing + RJ45 field plug insert Cat.6 Class E <sub>A</sub>
1401565010ME	E-DAT Industry IP67 V5 metal plug housing + RJ45 plug insert Cat.6 Class E <sub>A</sub>



# P | Cabling

Data sheet

## Industry IP67 V5 metal plug protective cap

Page 5/5

P/N

1401068000MI

EAN 4250184114185

2023/05/02

Version: O

### Illustrations

Dimensional drawing

