

## Data sheet

### Industry IP67 V4 bulkhead protective cap

Page 1/5

P/N

1401048102KI

EAN 4250184114154

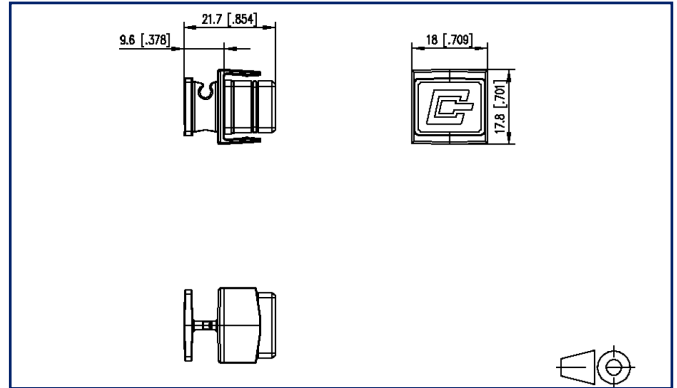
2023/03/30

Version: M

## Illustrations



Dimensional drawing



See enlarged drawings at the end of document

## Product specification

- good ingress protection also if not plugged in due to tight IP67 protective cap
- flammability class as per UL 94V-0
- improved resistance to chemical substances
- captive, attached protective cap
- grip to remove it
- variants: protective cap for plug or flange



# P | Cabling

Data sheet

Page 2/5

## Industry IP67 V4 bulkhead protective cap

P/N

1401048102KI

EAN 4250184114154

2023/03/30

Version: M

### Technical Data

#### General Data

|   |                                   |
|---|-----------------------------------|
| Fields of application                         | harsh environment                 |
| Mechanical measurement according to MICE      | M1                                |
| Ingress measurement according to MICE         | I1                                |
| Climatic measurement according to MICE        | C1                                |
| Electromagnetic measurement according to MICE | E3                                |
| Design  | protective cap                    |
| Mounting style                                | Accessories                       |
| Color   | black                             |
| Dimensions                                    |                                   |
| Dimension (L x W x H)                         | 21.7 mm x 18 mm x 17.8 mm         |
| Dimension (L x W x H)                         | 0.854 in. x 0.709 in. x 0.701 in. |

#### Connections/interfaces

|                    |    |
|--------------------|----|
| Protective housing | V4 |
|--------------------|----|

#### Mechanical data

|                     |         |
|---------------------|---------|
| IP67-protective cap | captive |
|---------------------|---------|

#### Materials and material properties

|              |           |
|--------------|-----------|
| Material     | Plastics  |
| Halogen free | yes       |
| RoHS         | compliant |

#### Environmental conditions

|                               |                 |
|-------------------------------|-----------------|
| Temperature (min. - max.)     |                 |
| Temperature - Storage °C      | -40 °C - 70 °C  |
| Temperature - Storage °F      | -40 °F - 158 °F |
| Temperature - Operating °C    | -40 °C - 70 °C  |
| Temperature - Operating °F    | -40 °F - 158 °F |
| Particulate ingress           | IP6X            |
| Liquid ingress/immersion      | IPX7            |
| Increased chemical resistance | yes             |

General information  
 This product is suitable for use in industrial environments inside buildings with IPxy protection class according to DIN EN 60529 specified in this data sheet. Not specified for outdoor applications.

# P | Cabling

Data sheet

Page 3/5

## Industry IP67 V4 bulkhead protective cap

P/N

1401048102KI

EAN 4250184114154

2023/03/30

Version: M

### Technical Data

#### Standards/Regulations

Degrees of Protection Provided by Enclosures IEC 60529

#### Classifications

|          |          |
|----------|----------|
| ETIM 5.0 | EC002597 |
| ETIM 6.0 | EC002597 |
| ETIM 7.0 | EC002314 |
| ETIM 8.0 | EC002314 |
| ETIM 9.0 | EC002314 |

#### Packing details

|                                 |                                    |
|---------------------------------|------------------------------------|
| Type of packaging               | 10 pc(s) / box                     |
| Packaging unit - Weight (gram)  | 146 g                              |
| Packaging unit - Weight (pound) | 0.32 lb                            |
| Packaging dimension             | 258 mm x 164 mm x 51 mm            |
| Packaging dimension             | 10.157 in. x 6.457 in. x 2.008 in. |

# P | Cabling

Data sheet

Page 4/5

## Industry IP67 V4 bulkhead protective cap

P/N

1401048102KI

EAN 4250184114154

2023/03/30

Version: M

### Accessories from

| P/N          | Designation  |
|--------------|--|
| 1401043302KE | Industry IP67 V4 bulkhead  |
| 1401143312KE | E-DAT Industry IP67 V4 bulkhead<br>+ RJ45 field jack insert Cat.6 Class E <sub>A</sub> , T568A |
| 1401243312KE | E-DAT Industry IP67 V4 bulkhead<br>+ RJ45 coupler insert Cat.6 Class E <sub>A</sub>            |
| 1402143322KE | OpDAT Industry IP67 V4 bulkhead<br>+ SC-RJ/2SC MM adapter insert                               |
| 1402343322KE | OpDAT Industry IP67 41 bulkhead<br>+ LC-D MM adapter insert                                    |
| 1402K43322KE | OpDAT Industry IP67 V4 bulkhead<br>+ SC-RJ/2SC SM adapter insert                               |
| 1402L43322KE | OpDAT Industry IP67 V4 bulkhead<br>+ LC-D SM adapter insert                                    |



# P | Cabling

Data sheet

## Industry IP67 V4 bulkhead protective cap

Page 5/5

P/N

1401048102KI

EAN 4250184114154

2023/03/30

Version: M

### Illustrations

Dimensional drawing

