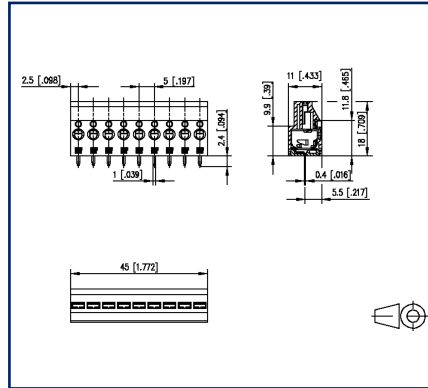


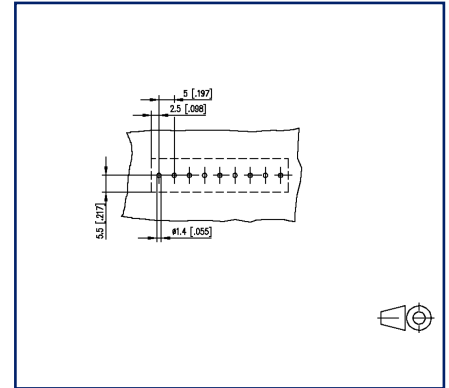
Illustrations



Dimensional drawing



Drill pattern



See enlarged drawings at the end of document

Product specification

- spring clamp terminal block, THT solderable
- centerline 5.00 mm, direction of connection 90°
- fittable without loss of poles
- color black



Technical Data



General Data

Solder pin length	2.4 mm		
pole size	9		
Insulating material class	CTI 600		
clearance/creepage dist.	4 mm		
Protection category	IP20		
Min. insul. strip length	8 mm		
Rated current	20 A		
Overvoltage category	III	III	II
Pollution degree	3	2	2
Rated voltage	320 V	800 V	800 V
Rated test voltage	4 kV	4 kV	4 kV

Terminal data

rat.wiring solid AWGmax	0.2 mm ² - 2.5 mm ² / AWG 24 - AWG 14		
rat.wiring strand.AWGmax	0.2 mm ² - 2.5 mm ² / AWG 24 - AWG 12		

Approvals

 V / A / AWG	300 / 19 / 24 - 12		
approval UL - File No.	E121004		
 2.5 mm ²	250 V / 2.5 kV / 20 A		

Material

insulating material	PPA
flammability class	V0
spring material	Spring steel
contact material	CuSn
Contact surface	Sn
Glow-Wire Flammability GWFI	960 °C acc. to IEC 60695-2-12
Glow-Wire Flammability GWIT	800 °C acc. to IEC 60695-2-13

Climatic Data

upper limit temperature	105 °C
lower limit temperature	-40 °C

general

U | Contact

Data sheet
SR25509HBNC, 9-pole

Page 3/5

P/N
SR25509HBNC

2023/07/03
Version: D

Technical Data

Tolerance	ISO 2768 -mH
Solderability	Acc. to JEDEC JESD22-B102E 245°C/5s



U | Contact

Data sheet
SR25509HBNC, 9-pole

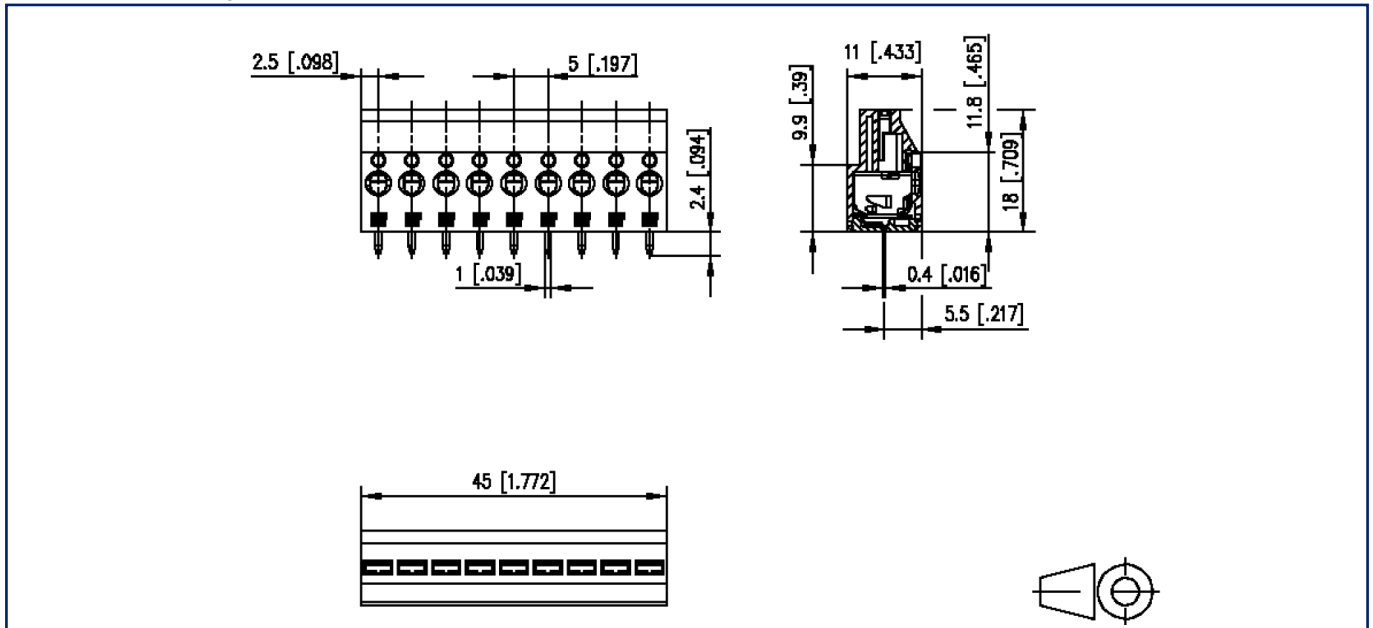
Page 4/5

P/N
SR25509HBNC

2023/07/03
 Version: D

Illustrations

Dimensional drawing



$$L = (\text{pole size} - 1) \times \text{centerline} + 5 \text{ mm [0.197]}$$

Illustrations

Drill pattern

