

Data sheet

Subway-M underfloor unit OBO GES6 SI unequipped

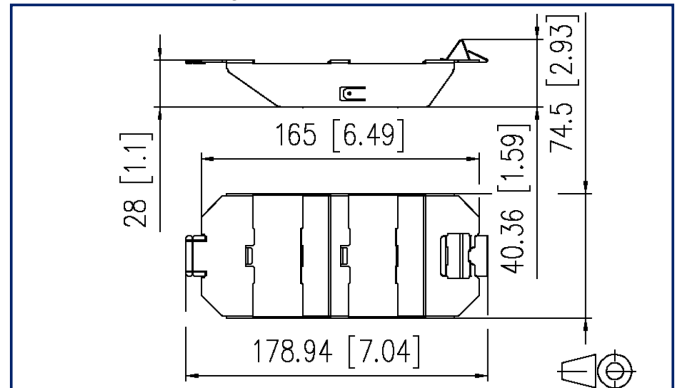
Page 1/4

P/N
13093-BGES6-E
EAN 4251394640402
2023/04/11
Version: B

Illustrations



Dimensional drawing



See enlarged drawings at the end of document

Product specification

- Subway-M metal termination unit SI for mounting in service outlets for underfloor systems for 2 adapter plates Subway-M SI
- suitable for underfloor service outlets of OBO Bettermann (Ackermann), GES6
- modul design GB2
- without adapter plates and blind plates
- plug direction of adapter plates 45° upwards
- color: black



P | Cabling

Data sheet

Page 2/4

Subway-M underfloor unit OBO GES6 SI unequipped

P/N
13093-BGES6-E
EAN 4251394640402
2023/04/11
Version: B

Technical Data

General Data

Fields of application	office areas
Mechanical measurement according to MICE	M1
Ingress measurement according to MICE	I1
Climatic measurement according to MICE	C1
Electromagnetic measurement according to MICE	E3
Design	wall outlet
Mounting style	GB2
Color	black
Dimensions	
Dimension (L x W x H)	178.94 mm x 7.04 mm x 74.5 mm
Dimension (L x W x H)	7.045 in. x 0.277 in. x 2.933 in.

Connections/interfaces

Number of ports interface 2	2
Number of ports interface 2 equipped	0

Materials and material properties

Material - Device casing	steel
Halogen free	yes
RoHS	compliant

Classifications

ETIM 5.0	EC001264
ETIM 6.0	EC001264
ETIM 7.0	EC001264
ETIM 8.0	EC001264
ETIM 9.0	EC001264

Packing details

Type of packaging	1 pc(s) / box
-------------------	---------------

P | Cabling

Data sheet

Page 3/4

Subway-M underfloor unit OBO GES6 SI unequipped

P/N

13093-BGES6-E

EAN 4251394640402

2023/04/11

Version: B

Accessories

P/N	Designation
13093-AB-E	Subway-M adapter plate SI blind
13093-AK3-E	Subway-M adapter plate SI 3 x Keystone
13093-AK4-E	Subway-M adapter plate SI 4 x Keystone
13093-AM3-E	Subway-M adapter plate SI 3 x MC-Modul



P | Cabling

Data sheet

Page 4/4

Subway-M underfloor unit OBO GES6 SI unequipped

P/N

13093-BGES6-E

EAN 4251394640402

2023/04/11

Version: B

Illustrations

Dimensional drawing

