

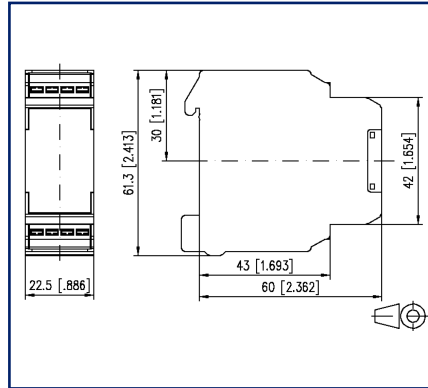
Data sheet

KRS-F-E08 3 24 V AC/DC

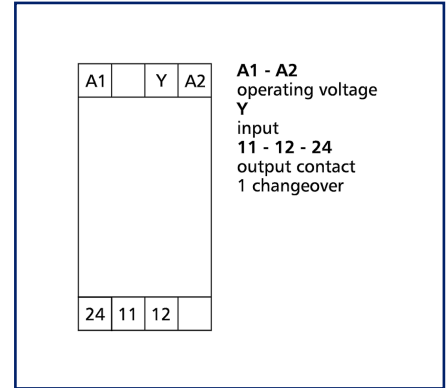
Illustrations



Dimensional drawing



Wiring diagram



See enlarged drawings at the end of document

Product specification

The threshold gate switches units, pumps, fans, burners, etc. As soon as the input voltage reaches the switching threshold, the relay is activated. When the input voltage falls below the switch-off threshold, the relay is released again. The module is designed for a two-level control by means of an analog 0 to 10 V DC control signal.

- Connection with spring clamp terminal blocks (push-in)
- Control signal 0 V DC = Level 1 active
- Control signal 5 V DC = No level is active (OFF)
- Control signal 10 V DC = Level 2 active

Technical Data

Supply	
Operating voltage	24 V AC/DC -10% ... +10%
Power consumption AC (max.)	100 mA
Power consumption DC (max.)	35 mA
Duty cycle relative	100 %
Response time typical	20 ms
Release time typical	20 ms
Manual control level	
Mechanical life	3x10 ⁴ switchings
Switching capacity (max.)	24 V AC/DC / 1 A
Inputs	
Power consumption	
Power consumption at 10 V DC	1 mA
Outputs	
Contacts	1 changeover contact with 0 position
Contact material	AgSnO ₂
Switching voltage (max.)	250 V AC
Continuous Current	4 A
Switching frequency	1200 switching cycles/h
Breaking capacity (resistive load)	
Mechanical life	1x10 ⁷ switching cycles
Electrical life	1x10 ⁵ switching cycles
Indicator	yellow and red LED
Insulation coil - contact set	
Nominal voltage of the power supply system	230 / 400 V AC
Overvoltage category	III II
Degree of pollution	2 2
Rated test voltage	4 kV 2.5 kV
Type of insulation	basic insulation reinforced insulation

Technical Data

Housing	
Dimensions	
Dimension (W x H x D)	22.5 mm x 61.3 mm x 60 mm
Dimension (W x H x D)	0.886 in. x 2.413 in. x 2.362 in.
Weight	70 g
Mounting style	Standard rail TH35
Mounting position	any
Apposition	without distance
Connection type	Spring clamp terminal blocks
Terminal blocks	
Wire cross section solid	0.2 mm ² - 2.5 mm ² / AWG 24-14
Wire cross section multi	0.25 mm ² - 2.5 mm ² / AWG 24-12
Wire cross section with wire ferrule	0.25 mm ² - 1.5 mm ² / AWG 24-16
Stripping length (min.)	8 mm
Material	
Material - Housing	Polyamid 6.6 V0
Color	gray
Material - Terminal block	Polyamid 6.6 V0
Material - Covers	Polyamid 6.6 V0
Protection category according to IEC 60529	
Protection category - housing (acc. to IEC 60529)	IP40
Protection category - terminal blocks (acc. to IEC 60529)	IP20
Temperature range	
Operating	
Temperature - Operating °C	-10 °C - 50 °C
Temperature - Operating °F	14 °F - 122 °F
Storage	
Temperature - Storage °C	-25 °C - 70 °C
Temperature - Storage °F	-13 °F - 158 °F

Technical Data

Power loss

Power loss (typical)	1.2 W
----------------------	-------

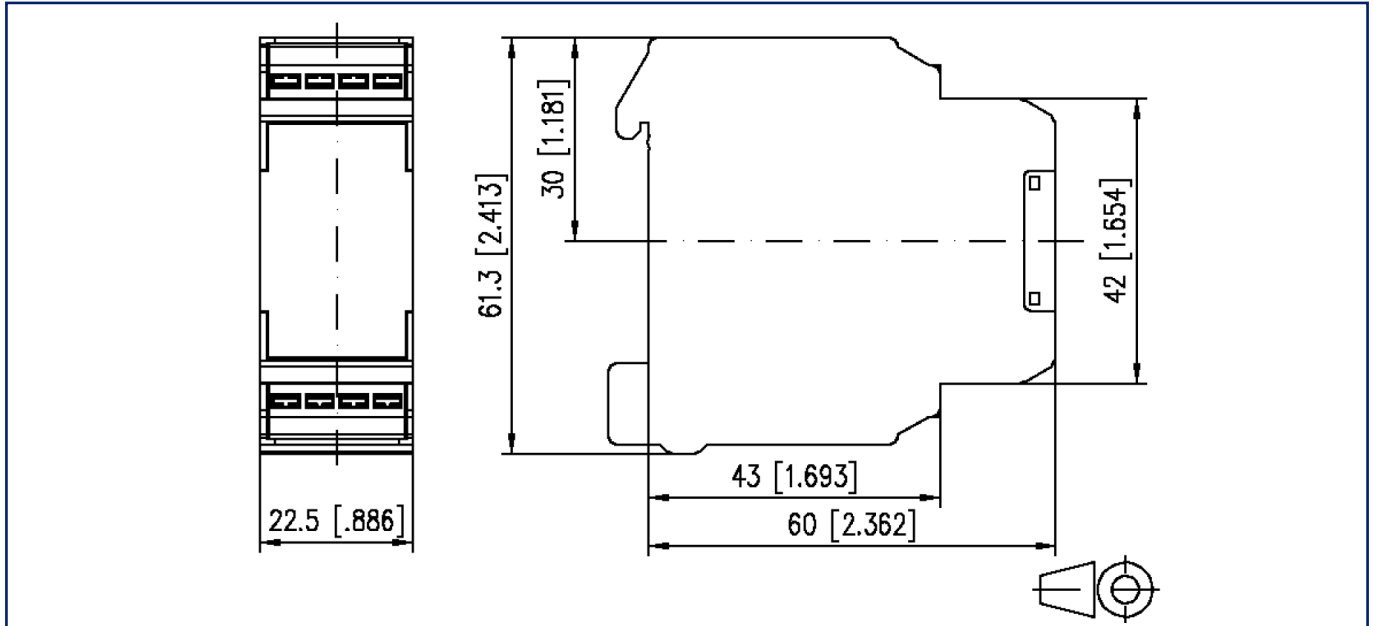
Classifications

ETIM 6.0	EC000310
ETIM 7.0	EC001437
ETIM 8.0	EC001437
ETIM 9.0	EC001437

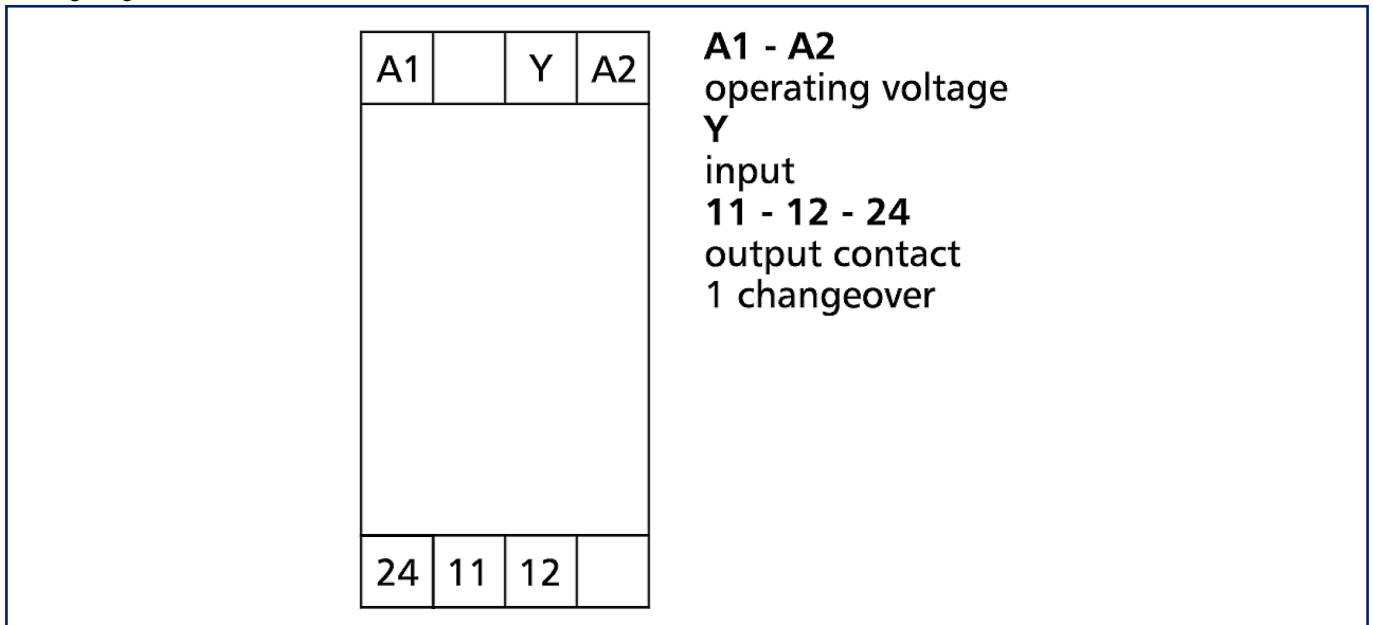


Illustrations

Dimensional drawing

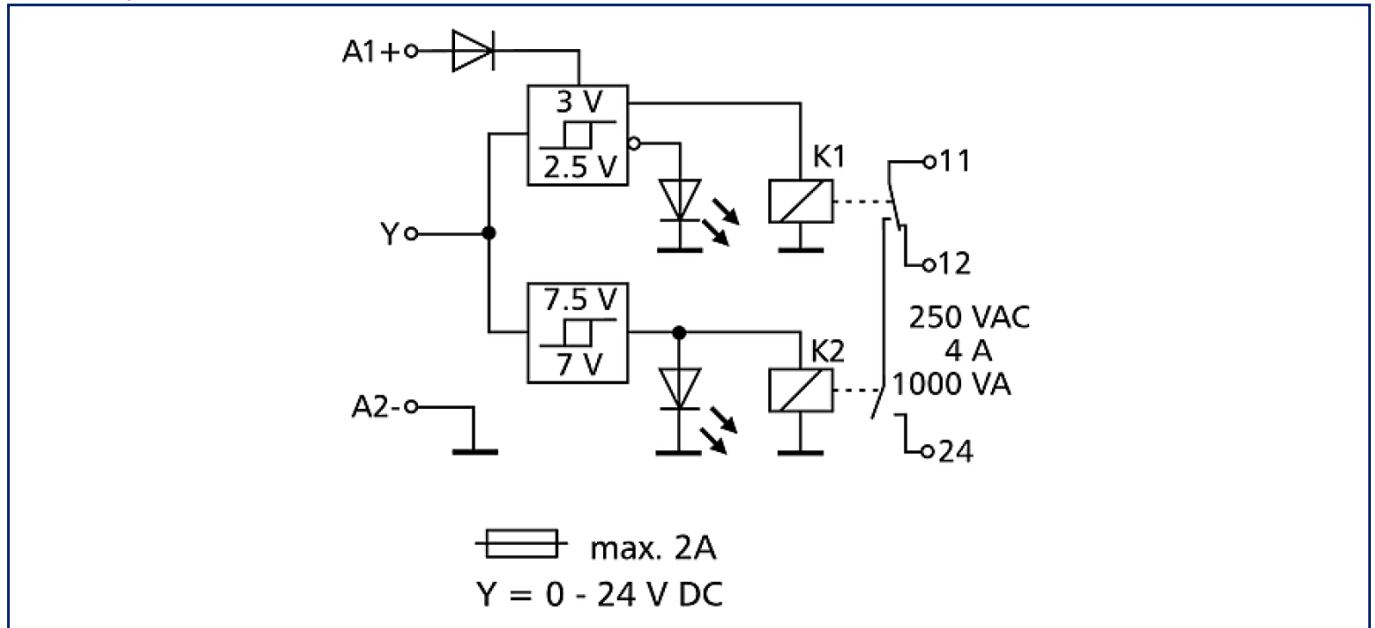


Wiring diagram



Illustrations

Circuit diagram



© 2023 METZ CONNECT - Technische Änderungen vorbehalten! Subject to modifications! Sous réserve de modifications techniques!