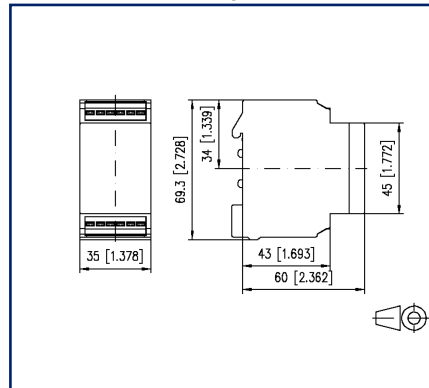


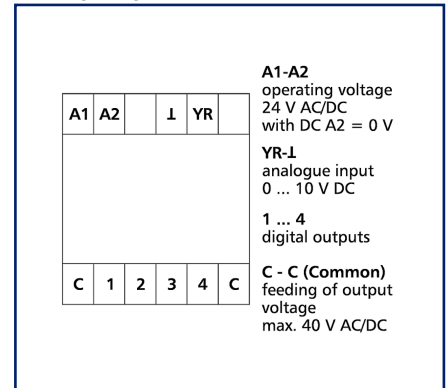
## Illustrations



Dimensional drawing



Wiring diagram



See enlarged drawings at the end of document

## Product specification

The analog/digital converter ADU-C12 processes input voltages from 0 to 7.5 V DC in 0.5 V steps. The digital outputs switch according to the applied input voltage. The outputs are updated every 1.5 seconds, and the switching state is signaled by means of an LED.

- Connection with spring clamp terminal blocks (push-in)
- Switching states are indicated by means of LEDs

## Technical Data

<b>Supply</b>	
Operating voltage	24 V AC/DC
Power consumption AC (max.)	50.2 mA
Power consumption DC (max.)	42 mA
<b>Inputs</b>	
Voltage input analogue (YR)	0 - 10 V DC
Power consumption	max. 0.5 mA
Scanning	0.5 V steps
<b>Outputs</b>	
Power consumption	max. 100 mA
Indicator	yellow and green LED
<b>Housing</b>	
Dimensions	
Dimension (W x H x D)	35 mm x 69.3 mm x 60 mm
Dimension (W x H x D)	1.378 in. x 2.728 in. x 2.362 in.
Weight	30 g
Mounting style	Standard rail TH35
Mounting position	any
Apposition	without distance
Connection type	Spring clamp terminal blocks
<b>Terminal blocks</b>	
Wire cross section solid	0.2 mm <sup>2</sup> - 2.5 mm <sup>2</sup> / AWG 24-14
Wire cross section multi	0.25 mm <sup>2</sup> - 2.5 mm <sup>2</sup> / AWG 24-12
Wire cross section with wire ferrule	0.25 mm <sup>2</sup> - 1.5 mm <sup>2</sup> / AWG 24-16
Stripping length (min.)	8 mm
<b>Material</b>	
Material - Housing	Polyamid 6.6 V0
Color	gray
Material - Terminal block	Polyamid 6.6 V0
Material - Covers	Polycarbonat

## Technical Data

### Protection category according to IEC 60529

Protection category - housing (acc. to IEC 60529)	IP40
Protection category - terminal blocks (acc. to IEC 60529)	IP20

### Temperature range

#### Operating

Temperature - Operating °C	-10 °C - 50 °C
Temperature - Operating °F	14 °F - 122 °F

#### Storage

Temperature - Storage °C	-25 °C - 70 °C
Temperature - Storage °F	-13 °F - 158 °F

### Power loss

Power loss (typical)	0.8 W
----------------------	-------

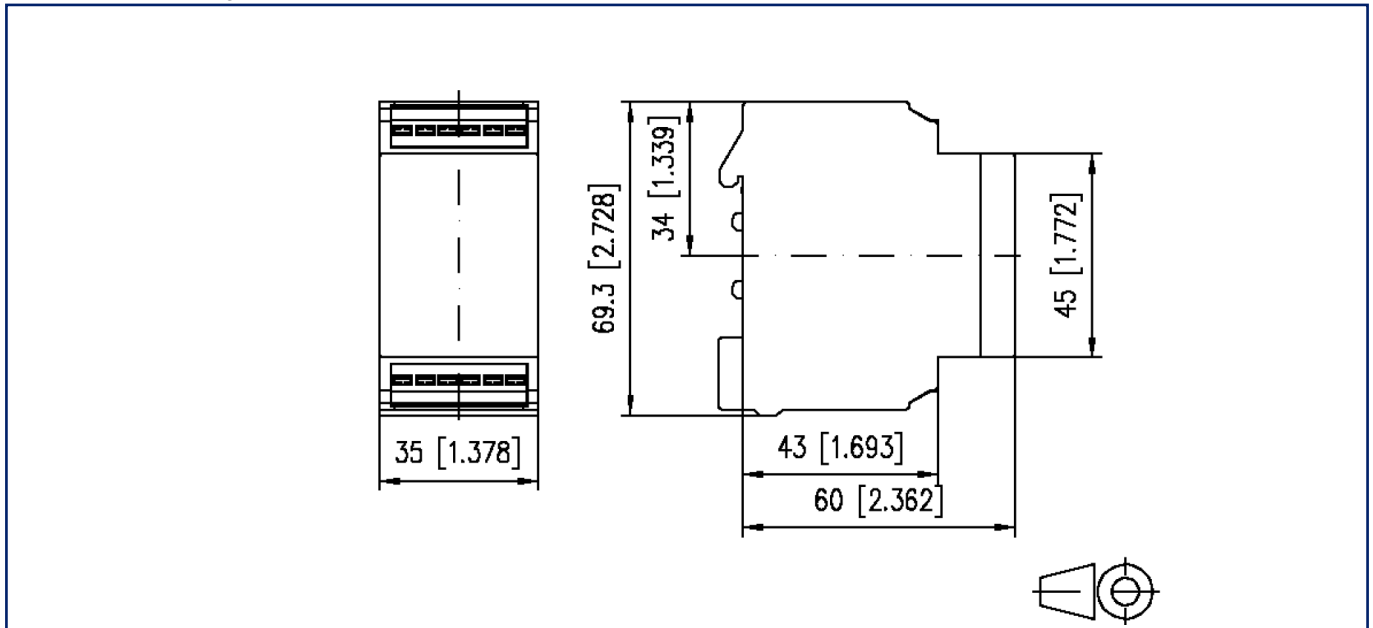
### Classifications

ETIM 7.0	EC000310
ETIM 8.0	EC000310
ETIM 9.0	EC000310



## Illustrations

Dimensional drawing



Wiring diagram

A1	A2		⊥	YR	
C	1	2	3	4	C

**A1-A2**  
operating voltage  
24 V AC/DC  
with DC A2 = 0 V

**YR-⊥**  
analogue input  
0 ... 10 V DC

**1 ... 4**  
digital outputs

**C - C (Common)**  
feeding of output  
voltage  
max. 40 V AC/DC

## Illustrations

Circuit diagram

