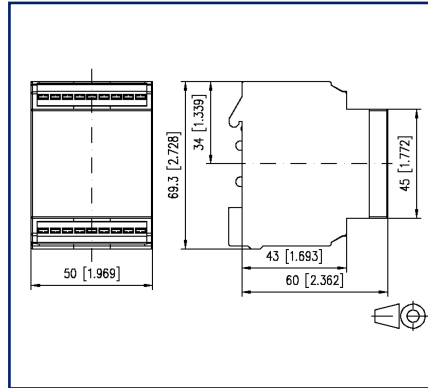


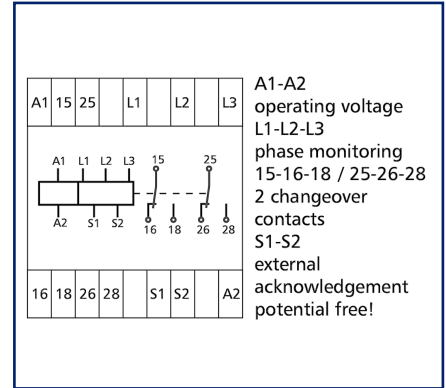
Illustrations



Dimensional drawing



Wiring diagram



See enlarged drawings at the end of document

Product specification

Monitoring relay for monitoring asymmetry, phase failure, phase sequence errors, overvoltage and undervoltage of a three-phase connection. With external fault acknowledgement.

- Connection with spring clamp terminal blocks (push-in)
- Adjustable response delay
- Adjustable asymmetry
- Selectable fault memory
- 7-segment display

Technical Data

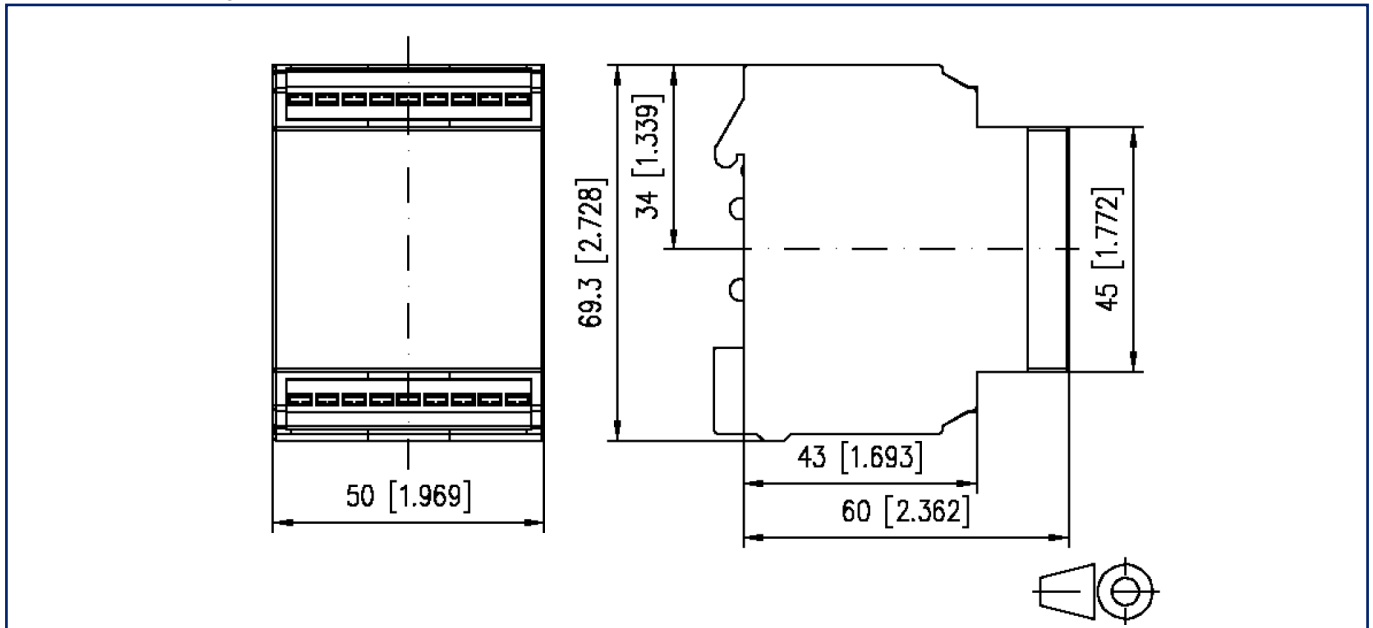
Supply	
Operating voltage	230 V AC -15% ... +10%
Frequency range	50 Hz
Power consumption (max.)	15 mA
Duty cycle relative	100 %
Inputs	
Monitoring voltage (L1, L2, L3)	3 x 230/400 V AC, 50 Hz
Response delay	0.1 s - 9.9 s, adjustable
Confirmation time, adjustable	0,1 ... 9,9 min.
Asymmetry, adjustable	5 ... 20 %
Switching hysteresis	20 %
Measurement cycle	max. 100 ms
Temperature error	<= 0.06 %/°C
Measurement error within the operating voltage	<= 5 %
Outputs	
Contacts	2 changeover contacts
Contact material	AgNi
Switching voltage (max.)	250 V AC
Continuous Current	8 A
Pick-up delay	230 V~ 6 A AC1
Switch-off delay	230 V~ 3 A AC3
Switching frequency	360 switching cycles/h
Mechanical life	3x10 ⁷ switching cycles
Electrical life	1x10 ⁵ switching cycles
Indicator	green LED
Housing	
Dimensions	
Dimension (W x H x D)	50 mm x 69.3 mm x 60 mm
Dimension (W x H x D)	1.969 in. x 2.728 in. x 2.362 in.
Weight	200 g
Mounting style	Standard rail TH35
Mounting position	any

Technical Data

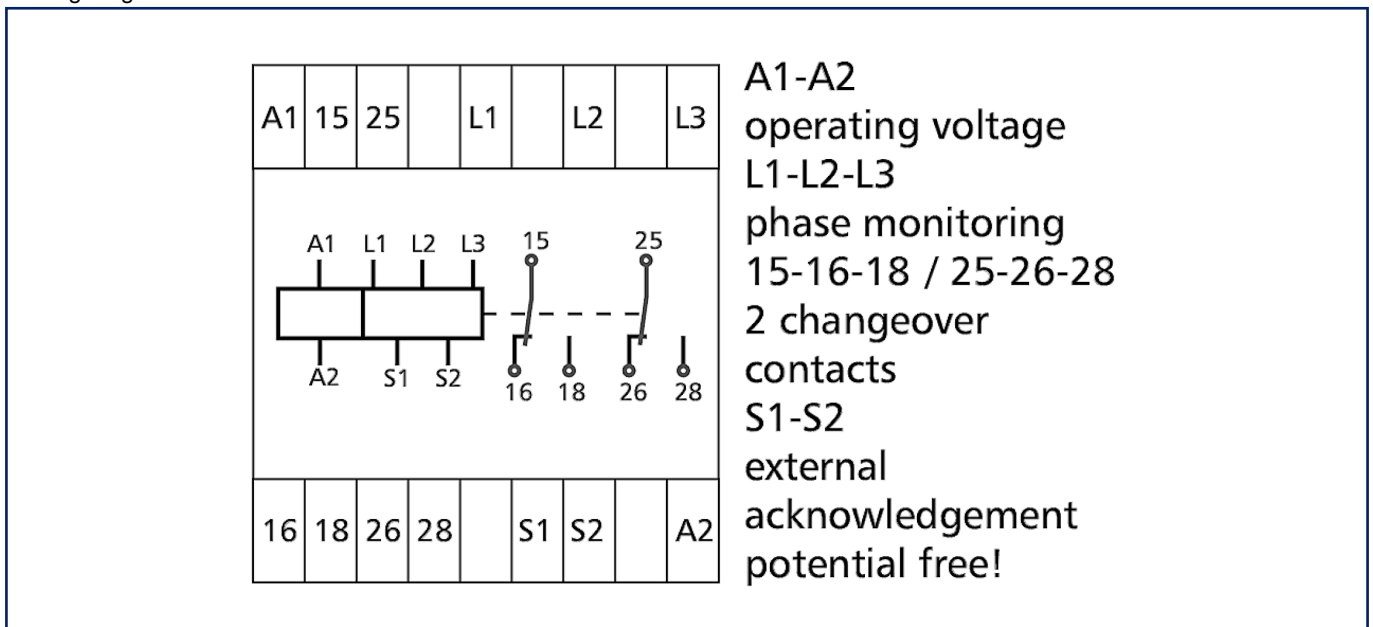
Housing	
Apposition	without distance
Connection type	Spring clamp terminal blocks
Terminal blocks	
Wire cross section solid	0.2 mm ² - 2.5 mm ² / AWG 24-14
Wire cross section multi	0.25 mm ² - 2.5 mm ² / AWG 24-12
Wire cross section with wire ferrule	0.25 mm ² - 1.5 mm ² / AWG 24-16
Stripping length (min.)	8 mm
Material	
Material - Housing	Polyamid 6.6 V0
Color	gray
Material - Terminal block	Polyamid 6.6 V0
Material - Covers	Polycarbonat
Protection category according to IEC 60529	
Protection category - housing (acc. to IEC 60529)	IP40
Protection category - terminal blocks (acc. to IEC 60529)	IP20
Temperature range	
Operating	
Temperature - Operating °C	-5 °C - 55 °C
Temperature - Operating °F	23 °F - 131 °F
Storage	
Temperature - Storage °C	-20 °C - 70 °C
Temperature - Storage °F	-4 °F - 158 °F
Power loss	
Power loss (typical)	5 W
Classifications	
ETIM 7.0	EC001441
ETIM 8.0	EC001441
ETIM 9.0	EC001441

Illustrations

Dimensional drawing

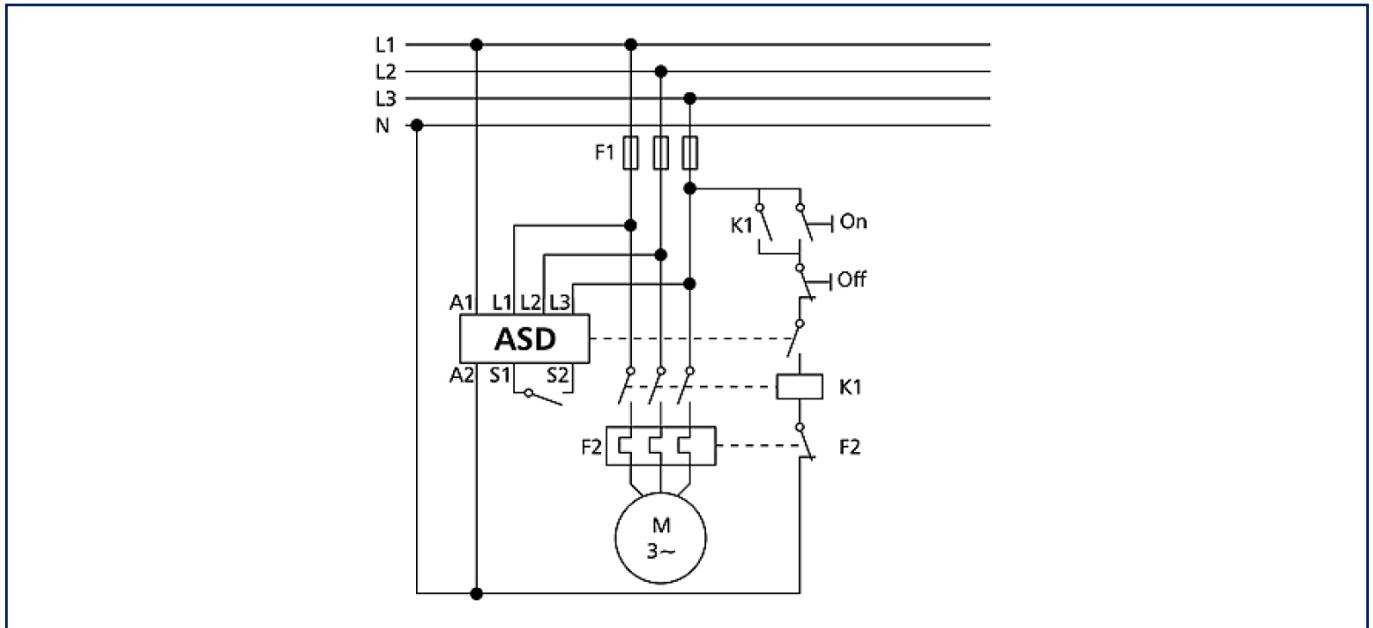


Wiring diagram

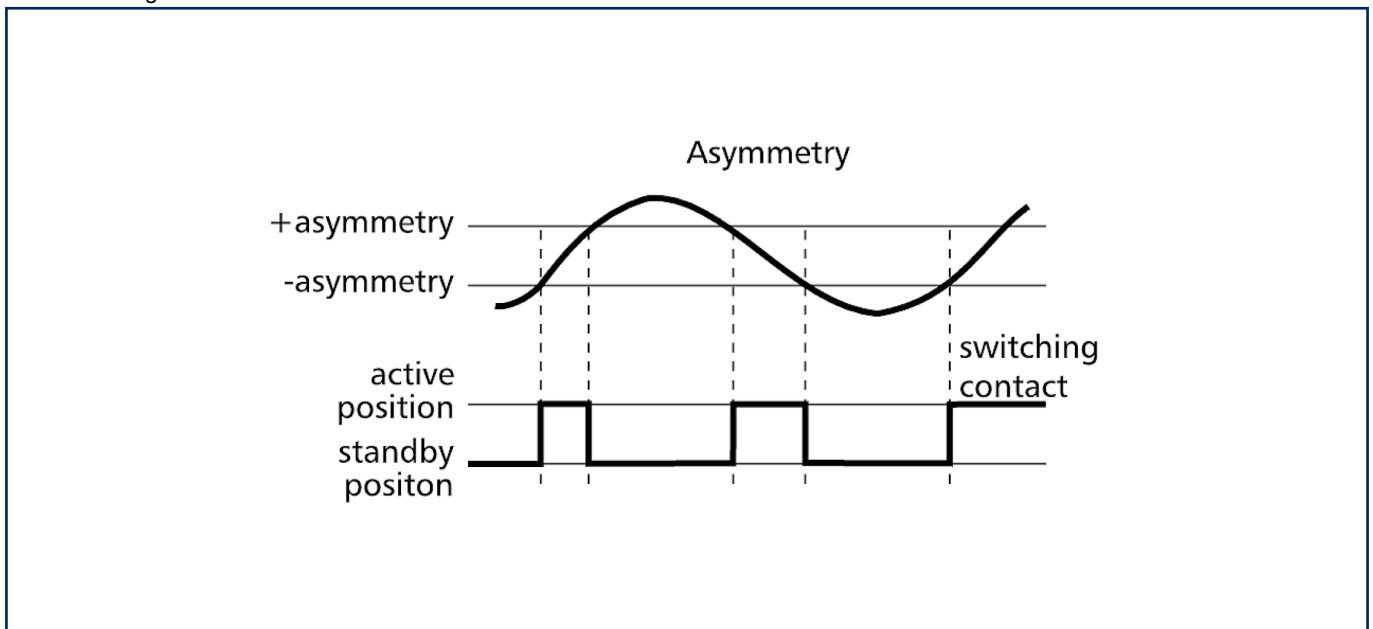


Illustrations

Schaltbeispiel

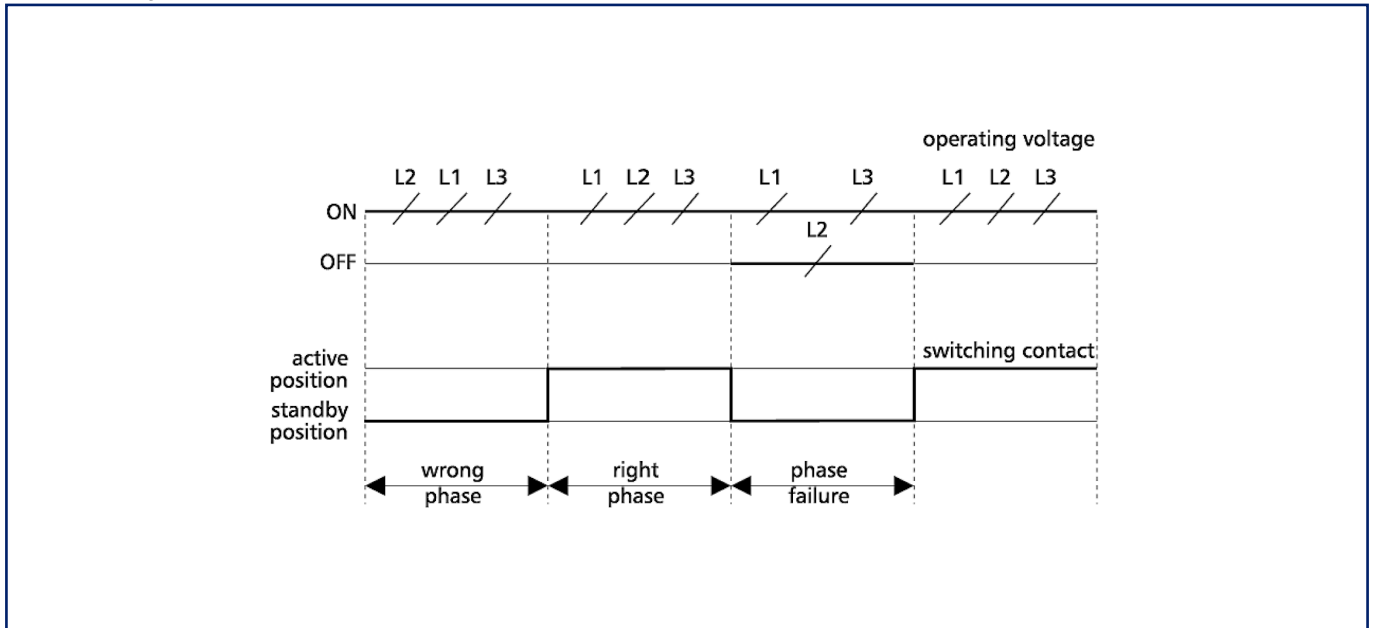


Function diagram



Illustrations

Function diagram



Function diagram

