

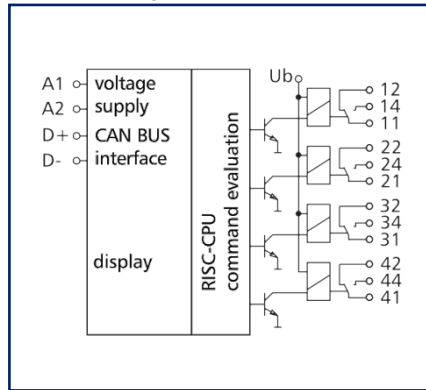
# Data sheet

## FRAS-F 4/21 24 V AC/DC CAN

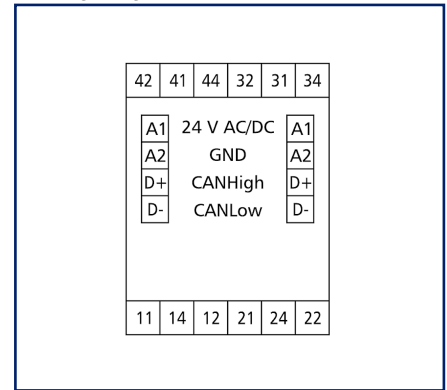
### Illustrations



Principle diagram



Wiring diagram



See enlarged drawings at the end of document

### Product specification

CAN module with 4 digital outputs. It is suitable for switching electrical components, for example motors, contactors, lamps, louvers, etc. With strong inductive loads, we recommend protecting the relay contacts additionally with an RC element. The fieldbus module is an input module for universal use. It is controlled by means of the CAN bus. The module is addressed by means of an adjustable address. Data bytes transmit whether data are queried or commands are executed. If there is a digital input module with the same address in the system, the module can be operated by remote control.

- Connection with spring clamp terminal blocks (push-in)

## Technical Data

<b>RS485 interface</b>	
Protocol	CAN
Address range	00 - 99
Bus interface	2.0B passive (two wire bus)
Transmission parameters	
Transmission rate	min. 20 Kbit/s - max. 500 Kbit/s
Transmission rate default setting	125 Kbit/s
<b>Supply</b>	
Operating voltage	24 V AC/DC +/- 10 % (SELV)
Power consumption	
Power consumption AC (max.)	205 mA
Power consumption DC (max.)	67 mA
Duty cycle relative	100 %
Recovery time	550 ms
<b>Outputs</b>	
Digital outputs	4 changeover contacts
Switching voltage (max.)	250 V AC
Continuous current	5 A
Total current across all outputs	12 A
Contact material	AgNi
Switching frequency	360 switching cycles/h
Mechanical life	1x10 <sup>7</sup> switching cycles
Electrical life	1x10 <sup>5</sup> switching cycles
<b>Insulation coil - contact set</b>	
Nominal voltage of the power supply system	230 / 400 V AC
Overvoltage category	III   II
Degree of pollution	2   2
Rated test voltage	4 kV   2.5 kV
Type of insulation	basic insulation   reinforced insulation

## Technical Data

<b>Housing</b>	
Dimensions	
Dimension (W x H x D)	35 mm x 69.3 mm x 60 mm
Dimension (W x H x D)	1.378 in. x 2.728 in. x 2.362 in.
Weight	104 g
Mounting style	Standard rail TH35
Mounting position	any
Connection type	Spring clamp terminal blocks
Indicator	green, red and yellow LED
<b>Terminal blocks</b>	
Supply and bus	
Terminal block	4-pole
Solid wire (AWG)	max. 1.5 mm <sup>2</sup> / max. 16 AWG
Stranded wire (AWG)	max. 1 mm <sup>2</sup> / max. 18 AWG
Wire diameter	max. 1.4 mm - min. 0.3 mm
Module connection	
Wire cross section solid	0.2 mm <sup>2</sup> - 2.5 mm <sup>2</sup> / AWG 24-14
Wire cross section multi	0.25 mm <sup>2</sup> - 2.5 mm <sup>2</sup> / AWG 24-12
Wire cross section with wire ferrule	0.25 mm <sup>2</sup> - 1.5 mm <sup>2</sup> / AWG 24-16
Stripping length (min.)	8 mm
Protection circuit	Polarity reversal protection for DC operating voltage
<b>Material</b>	
Material - Housing	Polyamid 6.6 V0
Color	gray
Material - Terminal block	Polyamid 6.6 V0
Material - Covers	Polycarbonat
<b>Protection category according to IEC 60529</b>	
Protection category - housing (acc. to IEC 60529)	IP40
Protection category - terminal blocks (acc. to IEC 60529)	IP20

**Data sheet**  
**FRAS-F 4/21 24 V AC/DC CAN**

Page 4/7

P/N  
110570132170  
EAN 4251394610078  
2023/06/22  
Version: C**Technical Data**

<b>Temperature range</b>	
Operating	
Temperature - Operating °C	-5 °C - 55 °C
Temperature - Operating °F	23 °F - 131 °F
Storage	
Temperature - Storage °C	-20 °C - 70 °C
Temperature - Storage °F	-4 °F - 158 °F
<b>Classifications</b>	
ETIM 7.0	EC001097
ETIM 8.0	EC001097
ETIM 9.0	EC001097
<b>Software and additional documents</b>	
Software and documentation	Further documentation is available for free download at <a href="http://www.metz-connect.com">www.metz-connect.com</a>

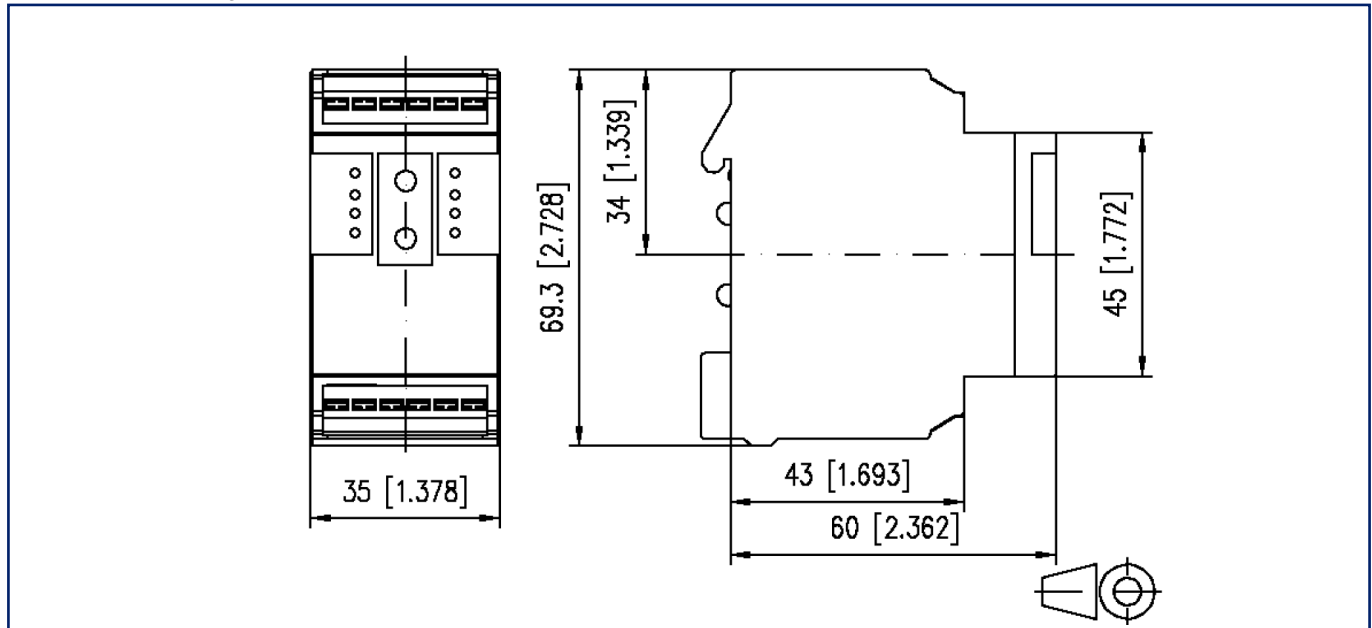


## Accessories

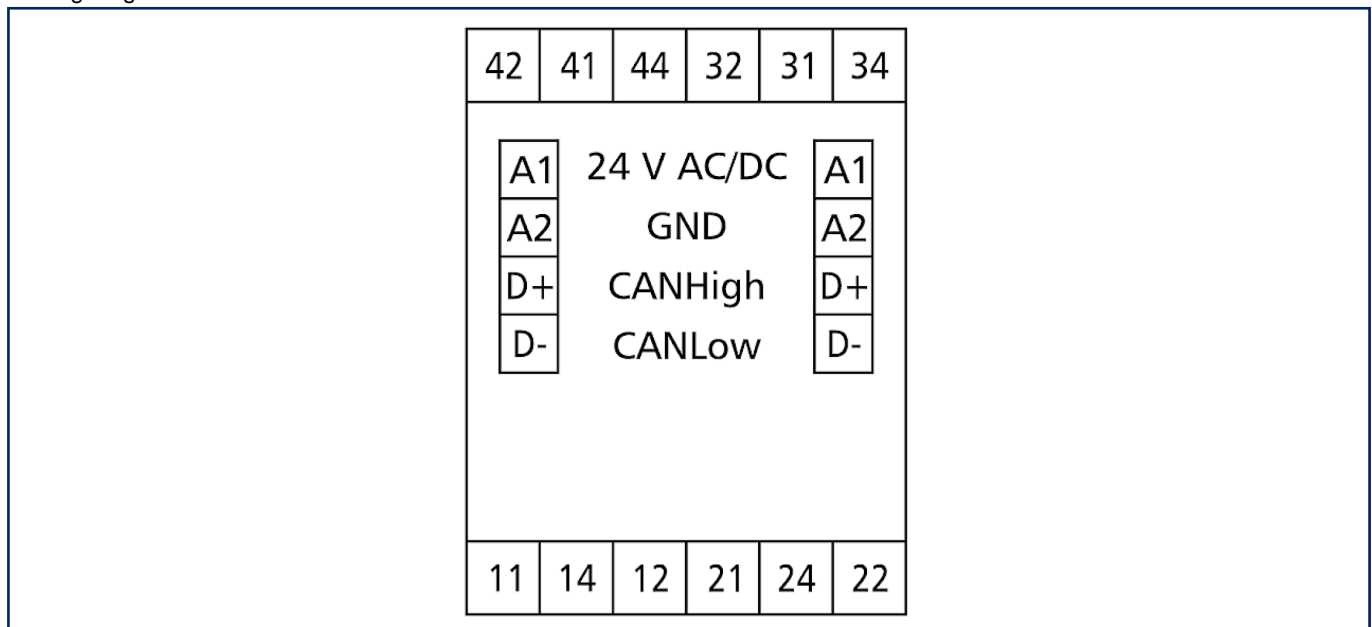
P/N	Designation
110369	Terminal block Type 259
11056170	Power supply NG4-F 24 V DC
31135104	Typ 135 RIACON 135_3.5

### Illustrations

#### Dimensional drawing

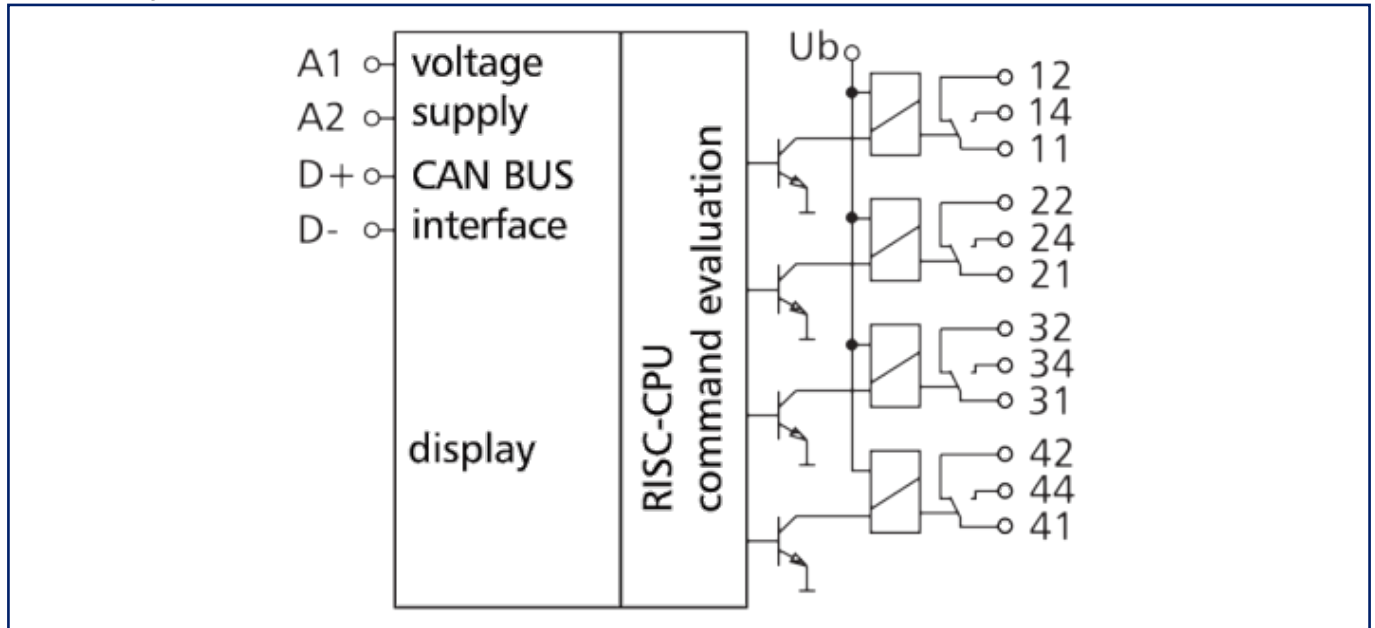


#### Wiring diagram



**Illustrations**

Principle diagram



© 2023 METZ CONNECT - Technische Änderungen vorbehalten! Subject to modifications! Sous réserve de modifications techniques!