

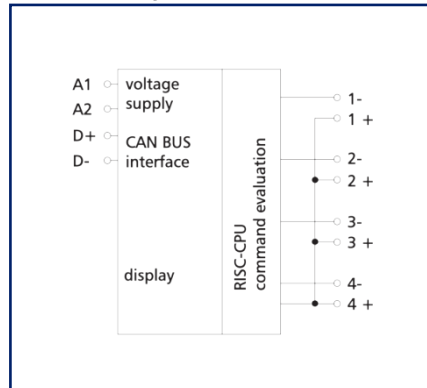
Data sheet

FDE-F 4 24 V AC/DC CAN

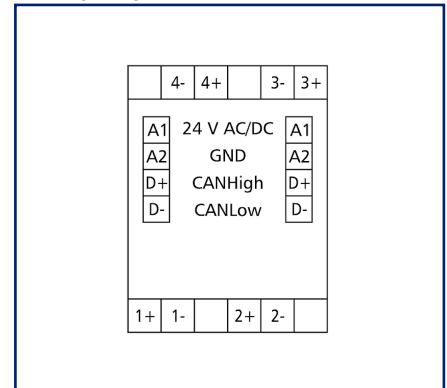
Illustrations



Principle diagram



Wiring diagram



See enlarged drawings at the end of document

Product specification

CAN module with 4 digital inputs, which can be operated as contact or voltage inputs. It is suitable for detecting switch states, for example, of electrical limit switches on vent valves or auxiliary contacts of power contactors. The fieldbus module is an input module for universal use. It is controlled by means of the CAN bus. The module is addressed by means of an adjustable address, and the input states are transmitted in data bytes. If there is one (or more) relay output module(s) with the same address in the system, the respective outputs are switched.

- Connection with spring clamp terminal blocks (push-in)

Technical Data

RS485 interface	
Protocol	CAN
Address range	00 - 99
Bus interface	2.0B passive (two wire bus)
Transmission parameters	
Transmission rate	min. 20 Kbit/s - max. 500 Kbit/s
Transmission rate default setting	125 Kbit/s
Supply	
Operating voltage	24 V AC/DC +/- 10 % (SELV)
Power consumption	
Power consumption AC (max.)	63 mA
Power consumption DC (max.)	21 mA
Duty cycle relative	100 %
Recovery time	550 ms
Inputs	
Voltage range	
Resolution voltage input	0 V - 10 V DC
Error voltage input	10 mV / digit
	approx. +/- 100 mV
Digital inputs	4
High signal detection	> 7 V DC
Housing	
Dimensions	
Dimension (W x H x D)	35 mm x 69.3 mm x 60 mm
Dimension (W x H x D)	1.378 in. x 2.728 in. x 2.362 in.
Weight	83 g
Mounting style	Standard rail TH35
Mounting position	any
Connection type	Spring clamp terminal blocks
Indicator	green, red and yellow LED

Technical Data

Terminal blocks	
Supply and bus	
Terminal block	4-pole
Solid wire (AWG)	max. 1.5 mm ² / max. 16 AWG
Stranded wire (AWG)	max. 1 mm ² / max. 18 AWG
Wire diameter	max. 1.4 mm - min. 0.3 mm
Module connection	
Wire cross section solid	0.2 mm ² - 2.5 mm ² / AWG 24-14
Wire cross section multi	0.25 mm ² - 2.5 mm ² / AWG 24-12
Wire cross section with wire ferrule	0.25 mm ² - 1.5 mm ² / AWG 24-16
Stripping length (min.)	8 mm
Protection circuit	Polarity reversal protection for DC operating voltage
Material	
Material - Housing	Polyamid 6.6 V0
Color	gray
Material - Terminal block	Polyamid 6.6 V0
Material - Covers	Polycarbonat
Protection category according to IEC 60529	
Protection category - housing (acc. to IEC 60529)	IP40
Protection category - terminal blocks (acc. to IEC 60529)	IP20
Temperature range	
Operating	
Temperature - Operating °C	-5 °C - 55 °C
Temperature - Operating °F	23 °F - 131 °F
Storage	
Temperature - Storage °C	-20 °C - 70 °C
Temperature - Storage °F	-4 °F - 158 °F

Technical Data

Classifications

ETIM 7.0	EC000688
ETIM 8.0	EC000688
ETIM 9.0	EC000688

Software and additional documents

Software and documentation	Further documentation is available for free download at www.metz-connect.com
----------------------------	--

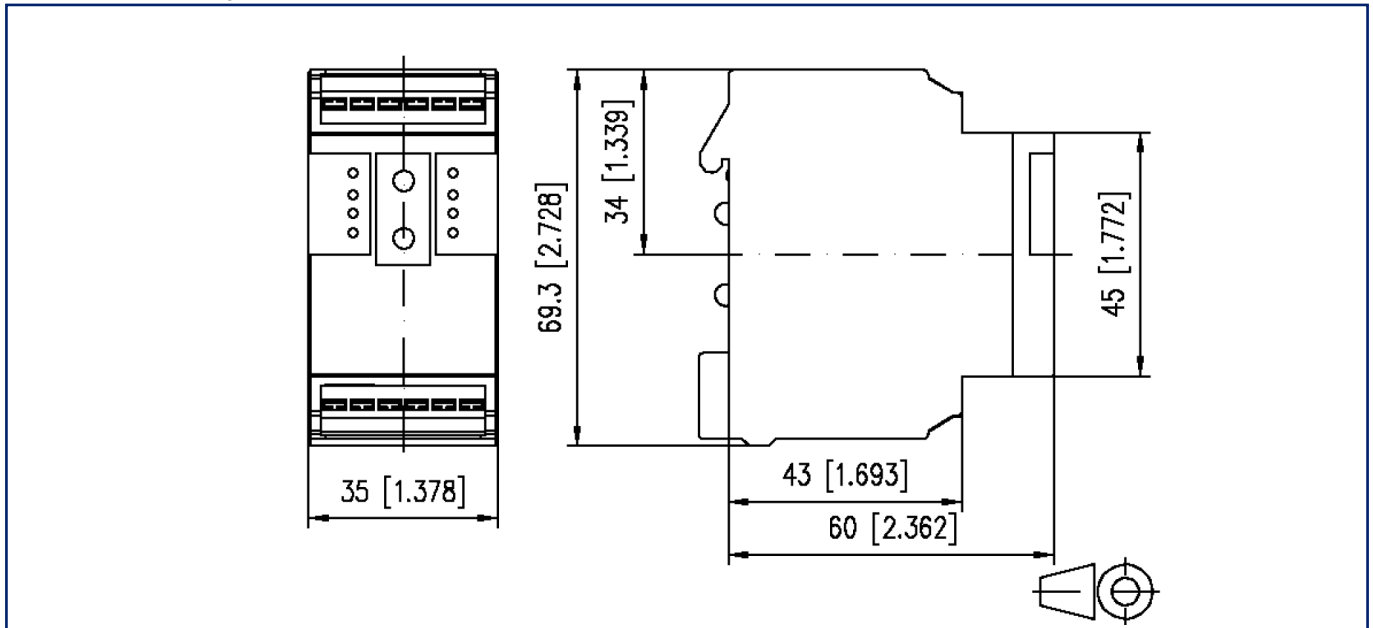


Accessories

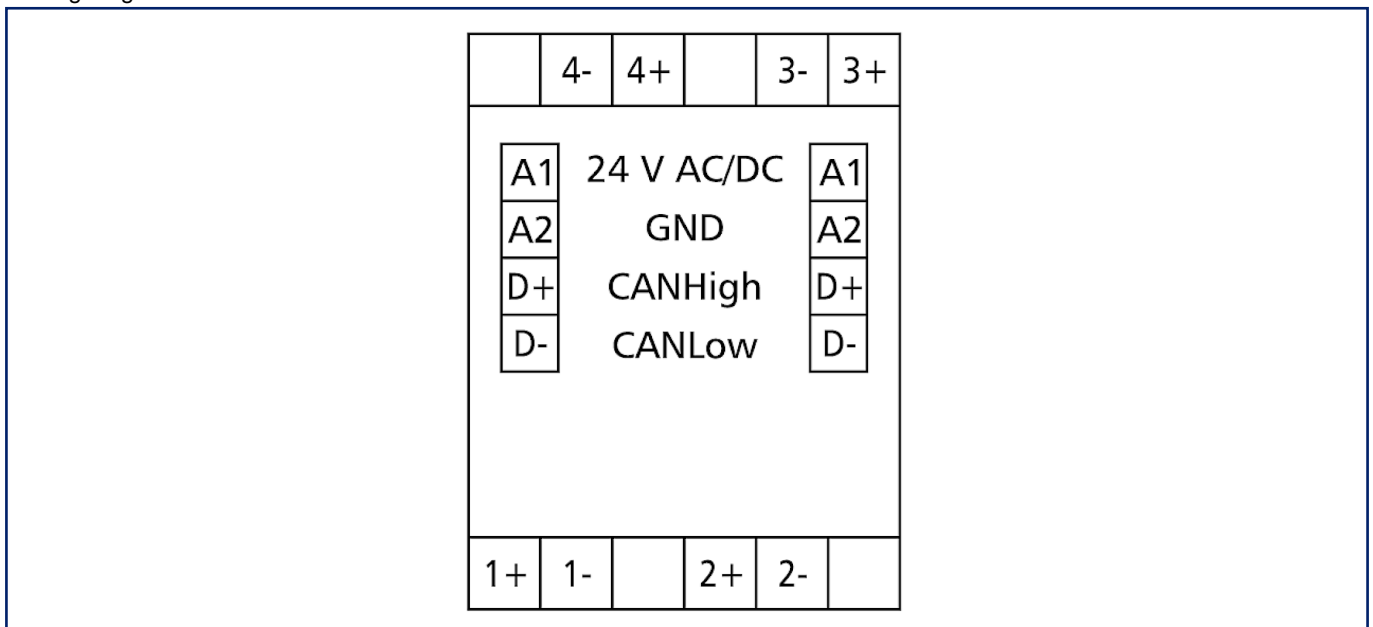
P/N	Designation
110369	Terminal block Type 259
11056170	Power supply NG4-F 24 V DC
31135104	Typ 135 RIACON 135_3.5

Illustrations

Dimensional drawing

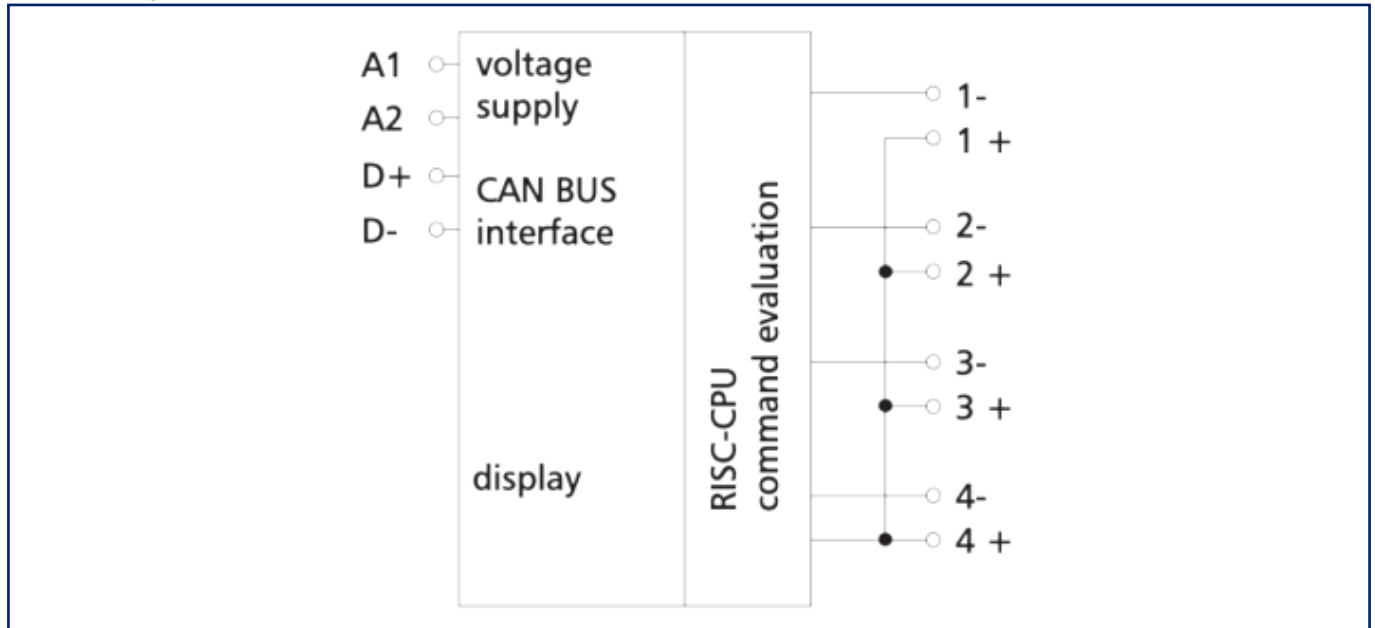


Wiring diagram



Illustrations

Principle diagram



© 2023 METZ CONNECT - Technische Änderungen vorbehalten! Subject to modifications! Sous réserve de modifications techniques!