

Data sheet

OpDAT VADT splice 4xLC APC OS2, cable Ø2.3 mm

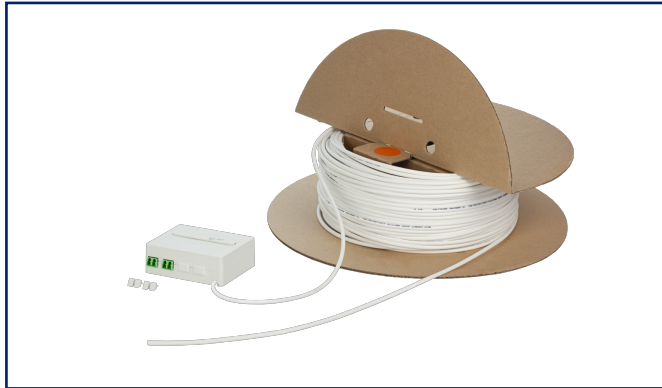
Page 1/5

P/N
150F049HK00XXE

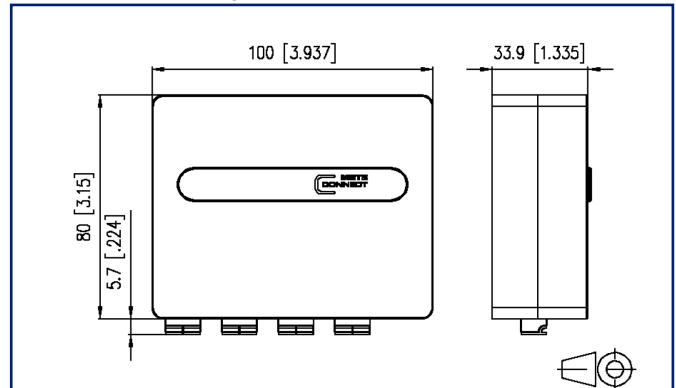
2023/04/17

Version: E

Illustrations



Dimensional drawing



See enlarged drawings at the end of document

Product specification

- compact fiber optic termination unit for flush mounted outlets or cavity wall boxes
- Box ready for installation, pre-terminated with singlemode indoor cable and equipped with adapters including laser protection for the connection of up to four fiber optic patch cables.
- The second cable end is open to be inserted, pulled in or blown into empty tubes. Suitable for splicing or for mounting field attachable fiber optic connectors (OpDAT FAST® Hybrid).
- cable easy to mount on carton drum
- Two cable types available:
 - Mini Breakout Cable Compact, white, Ø 4.5 mm
 - FITH cable, white, Ø 2.3 mm
- single mode fiber OS2, E9/125 µm, bend insensitive according to ITU-T G.657.A, compatible to G.652.D
- supplied with fixing material
- color box pure white (similar to RAL 9010)
- cable lengths: 5 to 100 m in 5 m steps
- (replace XX in the part number by the length, for example 05=5 m, A0=100 m)
- all available variants can be created with the VADT configurator



P | Cabling

Data sheet

Page 2/5

OpDAT VADT splice 4xLC APC OS2, cable Ø2.3 mm

P/N
150F049HK00XXE

2023/04/17

Version: E

Technical Data

General Data

Mechanical measurement according to MICE	M1
Ingress measurement according to MICE	I1
Climatic measurement according to MICE	C1
Electromagnetic measurement according to MICE	E3
Design	wall outlet
Mounting style	AP
Transmission technology	Fiber optic
Color	white
Dimensions	
Dimension (L x W x H)	85 mm x 100 mm x 35 mm
Dimension (L x W x H)	3.346 in. x 3.937 in. x 1.378 in.
Mode type of the fiber	Singlemode
Fiber class	OS2: IEC 60793-2-50 B6_a, B6_b & ITU-T G.657.A2, G.657.B2, G.652.D
Shape	APC (Angled Physical Contact)
Fiber construction	9/125 µm

Connections/interfaces

Connector technology interface 1	LC APC
Number of ports interface 1	4
Number of equipped ports interface 1	4
Number of blind	2
Cable sheath diameter (min. - max.)	
Cable sheath diameter	2.3
Cable sheath diameter	0.091
Cable access/outlet	bottom

Elektrische/ Optische Eigenschaften

Insertion loss	max. 0,3 dB
Return loss	min. 65 dB

P | Cabling

Data sheet

Page 3/5

OpDAT VADT splice 4xLC APC OS2, cable Ø2.3 mm

P/N
150F049HK00XXE

2023/04/17
Version: E

Technical Data

Mechanical data

strain relief	aramide fibres
---------------	----------------

Materials and material properties

Material - Housing	Plastics
Material - Coupler housing	Plastics
Material - Sleeve	ceramic, slotted
Material - Ferrule	Ceramic
Flame retardancy	yes
Halogen free	yes

Standards/Regulations

Generic cabling systems	
General requirements	ISO/IEC 11801-1
Lichtwellenleiter: LWL-Innenkabel	
Sectional specification for class B single-mode fibres	ISO/IEC 60793-2-50 type B.1.3 & B6_a
Optical fibers - Interconnecting devices and passive components - basic test and measuring methods	
Fibre optic interconnecting devices and passive components	IEC 61300-3-4
Fibre optic interconnecting devices and passive components	IEC 61300-3-6
Fibre optic interconnecting devices and passive components	IEC 61300-3-35
ITU-T standard	ITU-T G.657.A1 compatible with ITU-T G.652.D
Common test methods for cables under fire conditions	
Fire behaviour - class (EN 50399)	B2ca



Classifications

ETIM 7.0	EC001409
ETIM 8.0	EC001409

P | Cabling

Data sheet

Page 4/5

OpDAT VADT splice 4xLC APC OS2, cable Ø2.3 mm

**P/N
150F049HK00XXE**

2023/04/17
Version: E

Technical Data

Packing details

Type of packaging	1 pc(s) / box
-------------------	---------------

P | Cabling

Data sheet

OpDAT VADT splice 4xLC APC OS2, cable Ø2.3 mm

Page 5/5

P/N
150F049HK00XXE

2023/04/17
Version: E

Illustrations

Dimensional drawing

