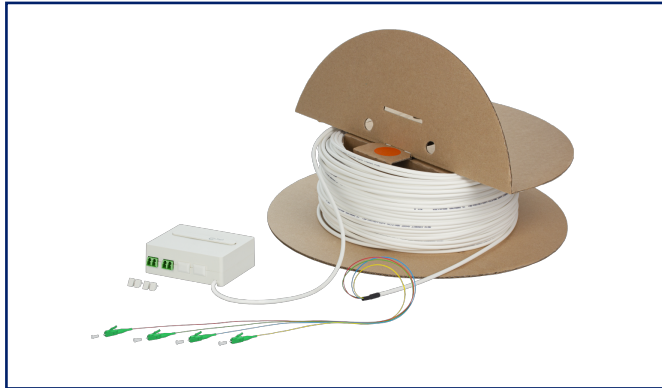


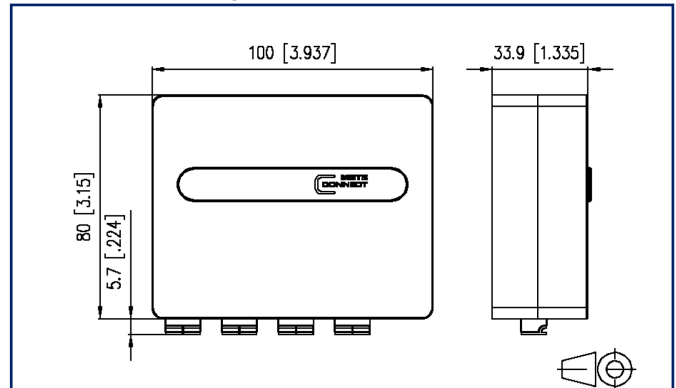
Data sheet

OpDAT VADT plug-in 4xLC APC/LC APC OS2

Illustrations



Dimensional drawing



See enlarged drawings at the end of document

Product specification

- compact fiber optic termination unit for flush mounted outlets or cavity wall boxes
- Box ready for installation, pre-terminated with singlemode indoor cable and equipped with adapters including laser protection for the connection of up to four fiber optic patch cables.
- The second cable end is pre-assembled with fiber optic plugs, plug type selectable. To protect these connectors, nubbed foil or a retractable aid with IP50 is available.
- cable easy to mount on carton drum
- cable type: Mini Breakout Cable Compact, white, Ø 4.5 mm
- single mode fiber OS2, E9/125 µm, bend insensitive according to ITU-T G.657.A, compatible to G.652.D
- supplied with fixing material
- color box pure white (similar to RAL 9010)
- cable lengths: 2 to 100 m
- (replace XX in the part number by the length, for example 05=5 m, A0=100 m)
- all available variants can be created with the VADT configurator



Technical Data

General Data

Mechanical measurement according to MICE	M1
Ingress measurement according to MICE	I1
Climatic measurement according to MICE	C1
Electromagnetic measurement according to MICE	E3
Design	wall outlet
Mounting style	AP
Transmission technology	Fiber optic
Color	white
Dimensions	
Dimension (L x W x H)	85 mm x 100 mm x 35 mm
Dimension (L x W x H)	3.346 in. x 3.937 in. x 1.378 in.
Mode type of the fiber	Singlemode
Fiber class	OS2: IEC 60793-2-50 B6_a, B6_b & ITU-T G.657.A2, G.657.B2, G.652.D
Shape	APC (Angled Physical Contact)
Fiber construction	9/125 µm

Connections/interfaces

Connector technology interface 1	LC APC
Connector technology interface 2	LC APC
Number of ports interface 1	4
Number of ports interface 2	4
Number of equipped ports interface 1	4
Number of ports interface 2 equipped	4
Number of blind	2
Cable sheath diameter (min. - max.)	
Cable sheath diameter	4.50
Cable sheath diameter	0.177

P | Cabling

Data sheet

Page 3/4

OpDAT VADT plug-in 4xLC APC/LC APC OS2

P/N
150C049HKKXXE

2023/07/11

Version: E

Technical Data

Elektrische/ Optische Eigenschaften	
Insertion loss	max. 0,3 dB
Return loss	min. 65 dB
Mechanical data	
strain relief	aramide fibres
Materials and material properties	
Material - Housing	Plastics
Material - Coupler housing	Plastics
Material - Sleeve	ceramic, slotted
Flame retardancy	yes
Halogen free	yes
RoHS	compliant
Standards/Regulations	
Generic cabling systems	
General requirements	ISO/IEC 11801-1
Lichtwellenleiter: LWL-Innenkabel	
Sectional specification for classÂ B single-mode fibres	ISO/IEC 60793-2-50 type B.1.3 & B6_a
Optical fibers - Interconnecting devices and passive components - basic test and measuring methods	
Fibre optic interconnecting devices and passive components - Insertion loss	IEC 61300-3-4
Fibre optic interconnecting devices and passive components - Return loss	IEC 61300-3-6
Fibre optic interconnecting devices and passive components - Visual inspection of plug end face	IEC 61300-3-35
ITU-T standard	ITU-T G.657.A1 compatible with ITU-T G.652.D
Classifications	
ETIM 7.0	EC001409
ETIM 8.0	EC001409
Packing details	
Type of packaging	1 pc(s) / box

P | Cabling

Data sheet

OpDAT VADT plug-in 4xLC APC/LC APC OS2

Page 4/4

P/N
150C049HKKXXE

2023/07/11
Version: E

Illustrations

Dimensional drawing

