

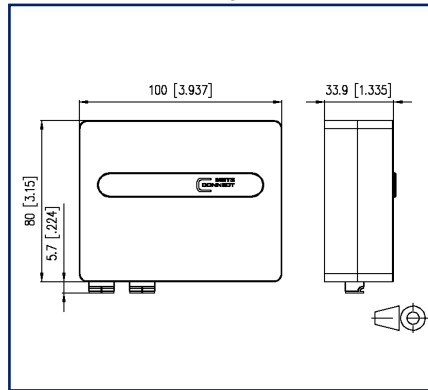
Data sheet

OpDAT ADT VIK 2xLC-D UPC OS2

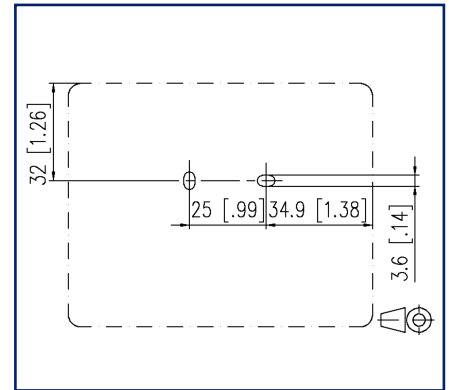
Illustrations



Dimensional drawing



Drill pattern



See enlarged drawings at the end of document

Product specification

- Compact, universal fiber optic termination unit for flush mounted outlets or cavity wall boxes, surface mounting or rail mounting
- To connect pre-terminated installation cables with mini breakout cables or to mount pigtails
- Equipped with adapters
- Unequipped ports are closed with blind plugs
- Possible cable entries: on the back, from above, from below, from the left or the right side
- With integrated clips for rail mounting in two directions
- Pivoting, removable splice tray for up to 8 shrink splice protections
- Cover removable without tool
- Plug direction 90°
- Color of the cover parts pure white RAL 9010
- Variants: equipped with SC APC, SC UPC, LC-D APC or LC-D UPC adapters

P | Cabling

Data sheet

Page 2/5

OpDAT ADT VIK 2xLC-D UPC OS2

P/N

1501107R02HC

EAN 4251394639024

2023/04/13

Version: E

Technical Data

General Data

Mechanical measurement according to MICE	M1
Ingress measurement according to MICE	I1
Climatic measurement according to MICE	C1
Electromagnetic measurement according to MICE	E3
Design	wall outlet
Mounting style	surface mount, standard rail TH35
Transmission technology	Fiber optic
Color	Pure white RAL 9010
Dimensions	
Dimension (L x W x H)	85 mm x 100 mm x 35 mm
Dimension (L x W x H)	3.346 in. x 3.937 in. x 1.378 in.
Mode type of the fiber	Singlemode
Shape	UPC (Ultra Physical Contact)
Fiber construction	9/125 µm

Connections/interfaces

Connector technology interface 1	LC-D
Connector technology interface 2	LC-D
Number of ports interface 1	4
Number of ports interface 2	4
Number of equipped ports interface 1	2
Number of ports interface 2 equipped	2
Number of ports with dust protection interface 1	2
Number of ports with dust protection interface 2	2
Number of blind	2
Module plug-in direction	straight
Cable access/outlet	rear, top, bottom, left or right

Mechanical data

Cut-out	LC-D
Connector type	duplex



P | Cabling

Data sheet

Page 3/5

OpDAT ADT VIK 2xLC-D UPC OS2

P/N

1501107R02HC

EAN 4251394639024

2023/04/13

Version: E

Technical Data

Materials and material properties

Material - Housing	ABS + PC
Material - Lower housing	ABS
Material - Coupler housing	Plastics
Material - Sleeve	ceramic, slotted
RoHS	compliant

Environmental conditions

Temperature (min. - max.)	
Temperature - Storage °C	-10 °C - 60 °C
Temperature - Storage °F	14 °F - 140 °F
Temperature - Operating °C	-10 °C - 60 °C
Temperature - Operating °F	14 °F - 140 °F
Particulate ingress	IP2X
Liquid ingress/immersion	IPX0

Standards/Regulations

Fibre optic connector interfaces	IEC 61754-20
----------------------------------	--------------

Classifications

ETIM 7.0	EC001409
ETIM 8.0	EC001409
ETIM 9.0	EC001409

Packing details

Type of packaging	1 pc(s) / box
-------------------	---------------

P | Cabling

Data sheet

OpDAT ADT VIK 2xLC-D UPC OS2

Page 4/5

P/N

1501107R02HC

EAN 4251394639024

2023/04/13

Version: E

Accessories

P/N	Designation
15090304-I	OpDAT splice protection cover for 6 crimp splices
15090401-E	OpDAT crimp splice protection (12 pieces)



P | Cabling

Data sheet

OpDAT ADT VIK 2xLC-D UPC OS2

Page 5/5

P/N

1501107R02HC

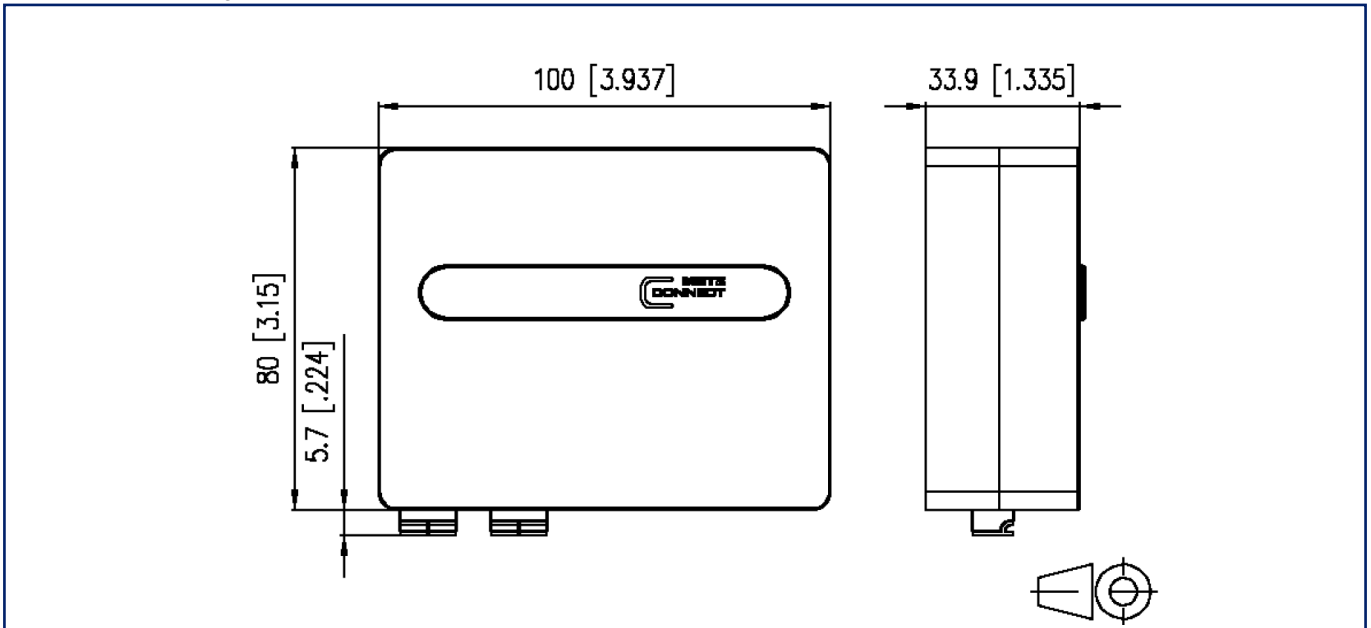
EAN 4251394639024

2023/04/13

Version: E

Illustrations

Dimensional drawing



Drill pattern

