

Data sheet

KRS-C12 3VHR 24 V AC/DC

Page 1/6

P/N

11043413

EAN 4250184121978

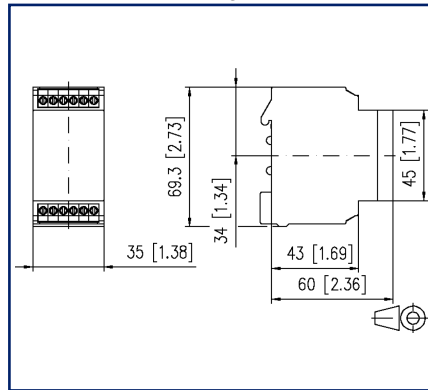
2023/06/19

Version: D

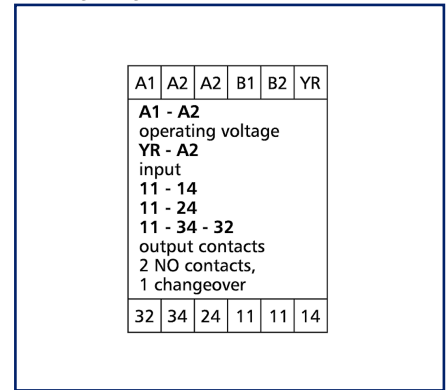
Illustrations



Dimensional drawing



Wiring diagram



See enlarged drawings at the end of document

Product specification

The threshold gate was developed for three-level motor control. Three LEDs are integrated in the module for visually checking the switching state.

- Connection with screw type terminal blocks
- Activation by just one analog input
- Manual control level with checkback
- integrated timer relay
- 3 changeover contacts (3PDT) with automatic locking

Technical Data

Supply	
Operating voltage	24 V AC/DC -20% ... +10%
Power consumption AC (max.)	60 mA
Power consumption DC (max.)	22 mA
Duty cycle relative	100 %
Recovery time	50 ms
Manual control level	
Mechanical life	3x10 ⁴ switchings
Switching capacity (max.)	24 V AC/DC / 1 A
Inputs	
Threshold voltage	8.5 V DC
Tolerance	+/- 10 %
Power consumption	
Power consumption at 10 V DC	24 µA
Outputs	
Contacts	3 changeover contacts with automatic locking
Contact material	AgSnO ₂
Switching voltage (max.)	250 V AC
Continuous Current	4 A
Switching frequency	360 switching cycles/h
Breaking capacity (resistive load)	
Mechanical life	1x10 ⁷ switching cycles
Electrical life	1x10 ⁵ switching cycles
Indicator	yellow LED
Insulation coil - contact set	
Nominal voltage of the power supply system	230 / 400 V AC
Overvoltage category	III II
Degree of pollution	2 2
Rated test voltage	4 kV 2.5 kV
Type of insulation	basic insulation reinforced insulation

Technical Data

Housing	
Dimensions	
Dimension (W x H x D)	35 mm x 69.3 mm x 60 mm
Dimension (W x H x D)	1.378 in. x 2.728 in. x 2.362 in.
Weight	95 g
Mounting style	Standard rail TH35
Mounting position	any
Apposition	without distance
Connection type	Screw type terminal blocks
Terminal blocks	
Wire cross section solid	0.34 mm ² - 2.5 mm ² / AWG 22-12
Wire cross section multi	0.25 mm ² - 2.5 mm ² / AWG 22-12
Wire cross section with wire ferrule	0.25 mm ² - 2.5 mm ² / AWG 22-12
Screw torque (max.)	0.5 Nm
Stripping length (min.)	8 mm
Material	
Material - Housing	Polyamid 6.6 V0
Color	gray
Material - Terminal block	Polyamid 6.6 V0
Material - Covers	Polycarbonat
Protection category according to IEC 60529	
Protection category - housing (acc. to IEC 60529)	IP40
Protection category - terminal blocks (acc. to IEC 60529)	IP20
Temperature range	
Operating	
Temperature - Operating °C	-10 °C - 50 °C
Temperature - Operating °F	14 °F - 122 °F
Storage	
Temperature - Storage °C	-25 °C - 70 °C
Temperature - Storage °F	-13 °F - 158 °F

Technical Data

Power loss

Power loss (typical) 1.2 W

Classifications

ETIM 6.0 EC000310

ETIM 7.0 EC001437

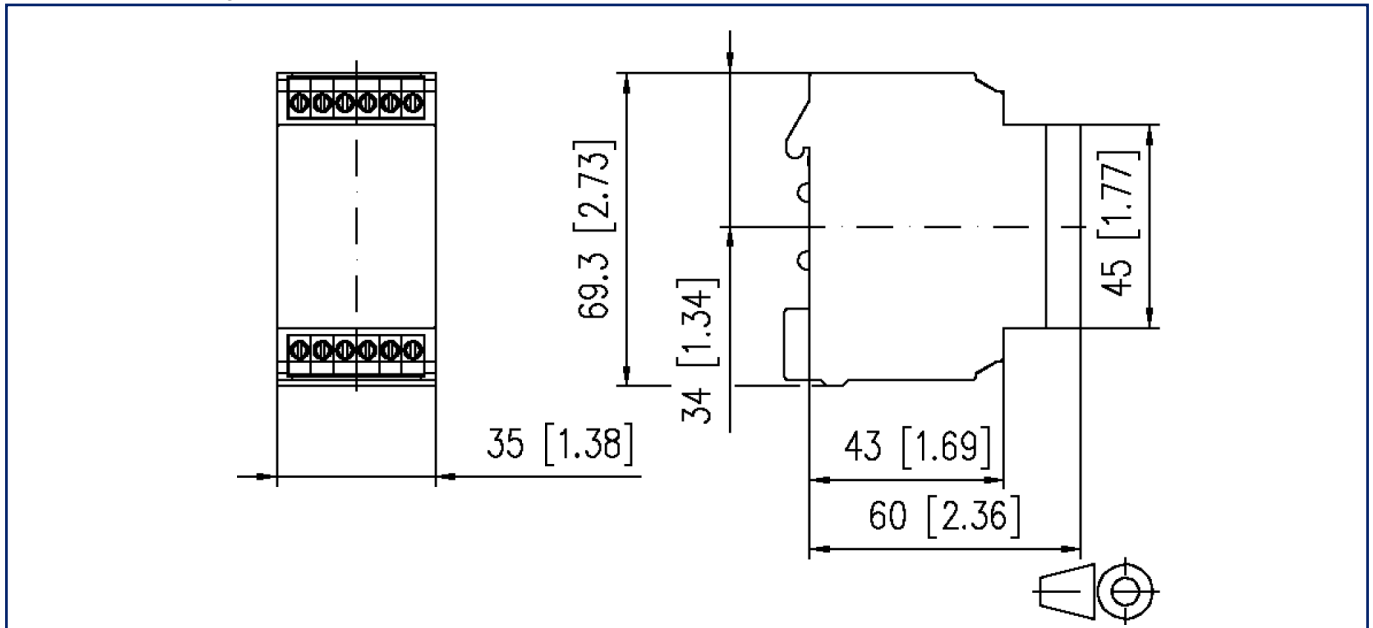
ETIM 8.0 EC001437

ETIM 9.0 EC001437



Illustrations

Dimensional drawing

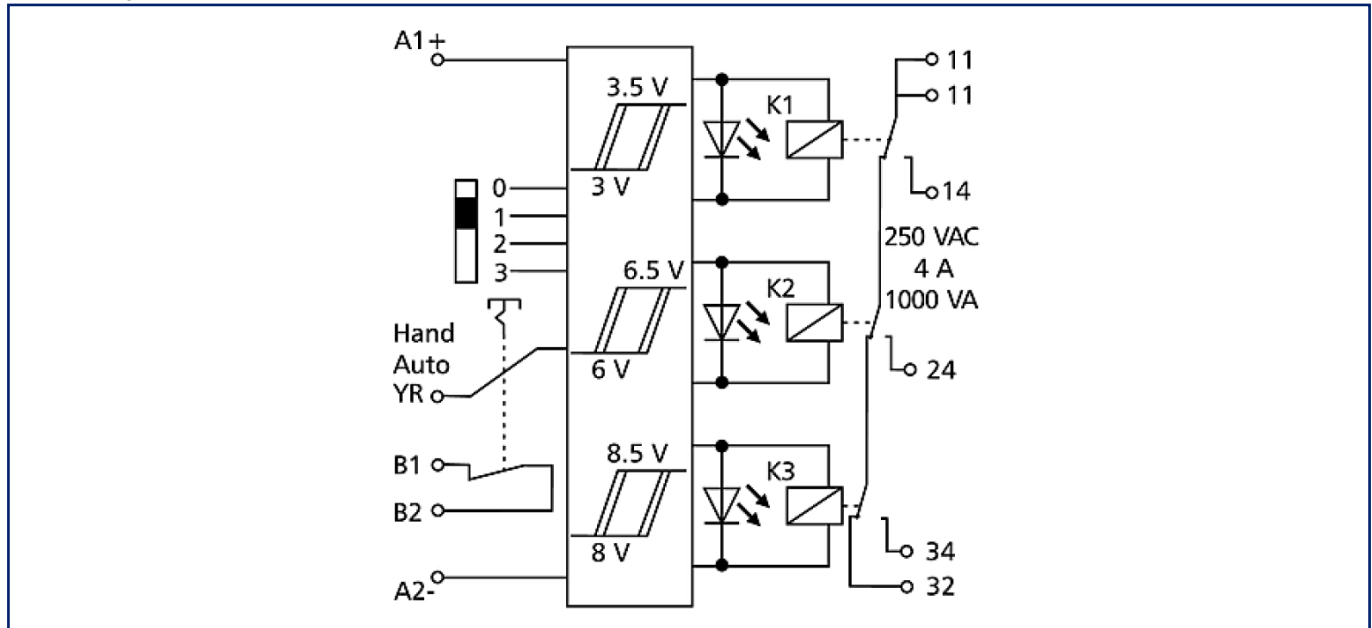


Wiring diagram

A1	A2	A2	B1	B2	YR
A1 - A2 operating voltage YR - A2 input 11 - 14 11 - 24 11 - 34 - 32 output contacts 2 NO contacts, 1 changeover					
32	34	24	11	11	14

Illustrations

Circuit diagram



Function diagram

