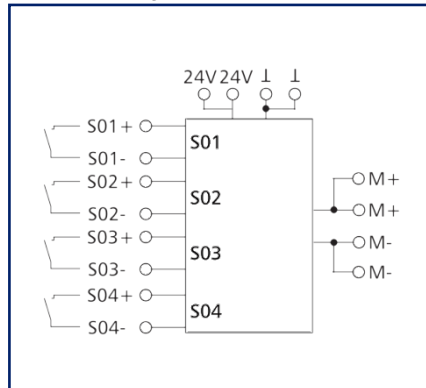


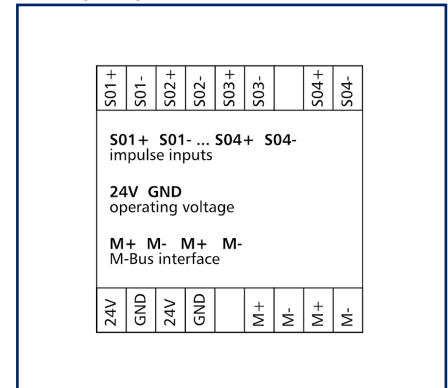
Illustrations



Principle diagram



Wiring diagram



See enlarged drawings at the end of document

Product specification

4-channel impulse counter for counting impulses that are generated by energy counters via reed contacts or passive transistor outputs (open collectors) in proportion to the energy measured. Impulses of any potential-free contacts can be recorded for counting, for example, events up to a frequency of 15 Hz. The impulses generated by the energy counters are recorded by means of a standardized current interface to DIN EN 62053-31 class A. The 4-channel impulse counter occupies a clear M-Bus address specified by the manufacturer. Suitable for decentralized mounting on DIN TH35 rail according to IEC 60715 in electrical distribution cabinets.

- Connection with screw type terminal blocks

Technical Data

M-Bus protocol	
Protocol	M-Bus
Bus interface	two-wire bus
Transmission rate	300 Bit/s (Bd) - 2400 Bit/s (Bd)
Supply	
Operating voltage	24 V DC +/- 10 % (SELV)
Power consumption	
Power consumption (max.)	50 mA
Inputs	
S0 inputs acc. to DIN EN 62053-31 Class A	4
Housing	
Dimensions	
Dimension (W x H x D)	50 mm x 69.3 mm x 60 mm
Dimension (W x H x D)	1.969 in. x 2.728 in. x 2.362 in.
Weight	70 g
Mounting style	Standard rail TH35
Mounting position	any
Apposition	without distance
Connection type	Screw type terminal blocks
Indicator	green LED
Terminal blocks	
Module connection	
Wire cross section solid	0.34 mm ² - 2.5 mm ² / AWG 22-12
Wire cross section multi	0.25 mm ² - 2.5 mm ² / AWG 22-12
Wire cross section with wire ferrule	0.25 mm ² - 2.5 mm ² / AWG 22-12
Screw torque (max.)	0.5 Nm
Stripping length (min.)	8 mm
Material	
Material - Housing	Polyamid 6.6 V0
Color	gray
Material - Terminal block	Polyamid 6.6 V0
Material - Covers	Polycarbonat

Technical Data

Protection category according to IEC 60529

Protection category - housing (acc. to IEC 60529)	IP40
Protection category - terminal blocks (acc. to IEC 60529)	IP20

Temperature range

Operating	
Temperature - Operating °C	-10 °C - 50 °C
Temperature - Operating °F	14 °F - 122 °F
Storage	
Temperature - Storage °C	-20 °C - 70 °C
Temperature - Storage °F	-4 °F - 158 °F

Classifications

ETIM 7.0	EC001102
ETIM 8.0	EC001102
ETIM 9.0	EC001102

Software and additional documents

Software and documentation	Further documentation is available for free download at www.metz-connect.com
----------------------------	--

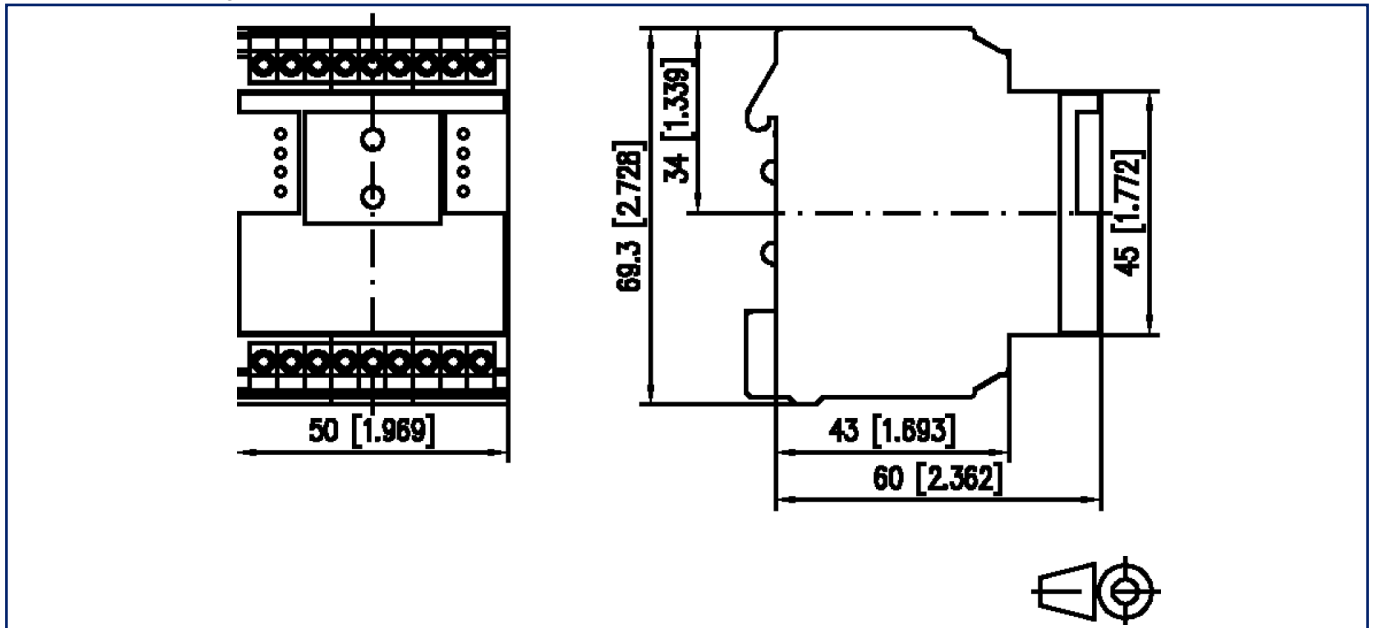
Accessories from

P/N	Designation
110904	EWIO ₂ -BM Ethernet-IO / BACnet / Modbus
110905	EWIO ₂ Ethernet-IO
110906	EWIO ₂ -W Ethernet-IO / WLAN
110909	EWIO ₂ -W-BM Ethernet-IO / WLAN / BACnet / Modbus
110930	EWIO ₂ -M M-Bus
110931	EWIO ₂ -MW M-Bus / WLAN
110934	EWIO ₂ -MW-BM M-Bus / WLAN / BACnet / Modbus
110935	EWIO ₂ -M-BM M-Bus / BACnet / Modbus

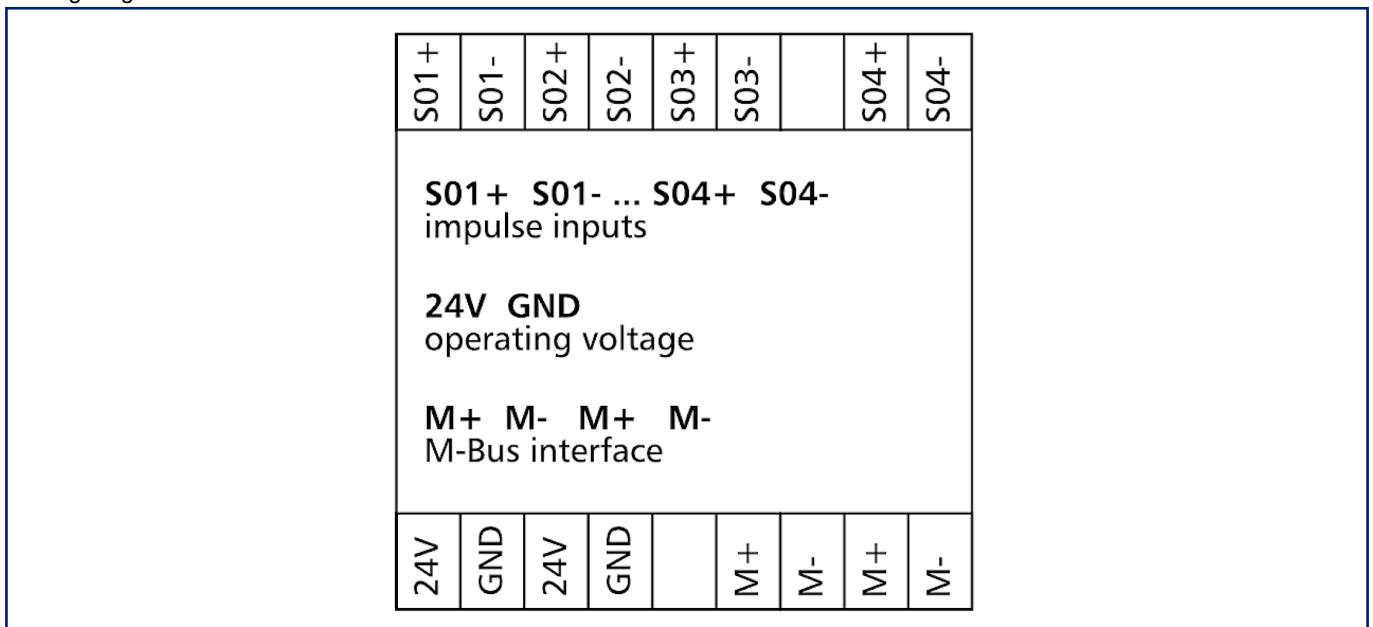


Illustrations

Dimensional drawing



Wiring diagram



Illustrations

Principle diagram

