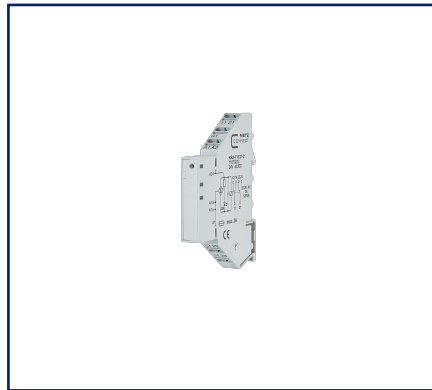


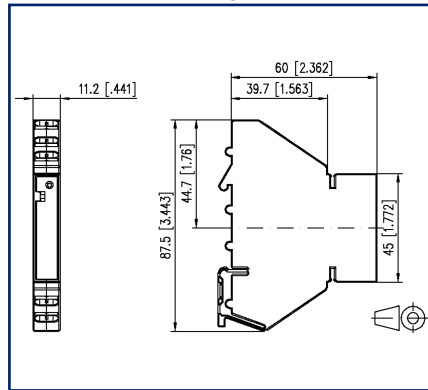
Data sheet

KRA-F10/21-21, 2 changeover contacts, 24 V AC/DC

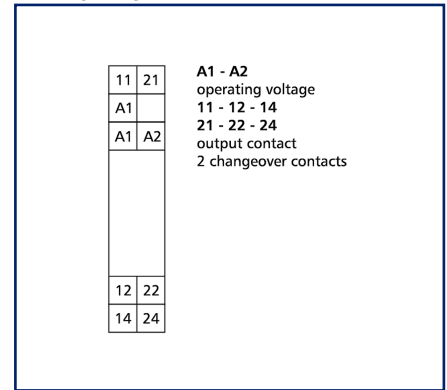
Illustrations



Dimensional drawing



Wiring diagram



See enlarged drawings at the end of document

Product specification

Coupling devices are used to electrical isolation between logic and load.

- Connection with spring-clamp terminal
- Additional terminals for jumper
- Test contacts for each terminal
- safe separation

Technical Data

Supply	
Operating voltage	24 V AC/DC -15% ... +10%
Power consumption (max.)	16 mA
Response time typical	10 ms
Release time typical	5 ms
Outputs	
Contacts	2 changeover contacts
Contact material	AgSnO ₂
Switching voltage (max.)	250 V AC
Continuous Current	3 A
Switching frequency	300 switching cycles/h
Breaking capacity (resistive load)	
Mechanical life	1x10 ⁷ switching cycles
Electrical life	1x10 ⁵ switching cycles
Indicator	green LED
Insulation coil - contact set	
Nominal voltage of the power supply system	230 / 400 V AC
Overvoltage category	III II
Degree of pollution	2 2
Rated test voltage	4 kV 2.5 kV
Type of insulation	basic insulation reinforced insulation
Housing	
Dimensions	
Dimension (W x H x D)	11.2 mm x 87.5 mm x 60 mm
Dimension (W x H x D)	0.441 in. x 3.445 in. x 2.362 in.
Weight	43 g
Mounting style	Standard rail TH35
Mounting position	any
Apposition	without distance
Connection type	Spring clamp terminal blocks

Technical Data

Terminal blocks	
Wire cross section solid	0.08 mm ² - 2.5 mm ² / AWG 28-14
Wire cross section multi	0.08 mm ² - 1.5 mm ² / AWG 28-16
Wire cross section with wire ferrule	0.08 mm ² - 2.5 mm ² / AWG 28-14
Stripping length (min.)	10 mm
Material	
Material - Housing	Polyamid 6.6 V0
Color	gray
Material - Terminal block	Polyamid 6.6 V0
Protection category according to IEC 60529	
Protection category - housing (acc. to IEC 60529)	IP40
Temperature range	
Operating	
Temperature - Operating °C	-20 °C - 55 °C
Temperature - Operating °F	-4 °F - 131 °F
Storage	
Temperature - Storage °C	-25 °C - 70 °C
Temperature - Storage °F	-13 °F - 158 °F
Power loss	
Power loss (typical)	0.5 W
Classifications	
ETIM 6.0	EC000310
ETIM 7.0	EC001437
ETIM 8.0	EC001437
ETIM 9.0	EC001437

C | Logline

Data sheet

Page 4/6

KRA-F10/21-21, 2 changeover contacts, 24 V AC/DC

P/N

11070213

EAN 4250184123088

2023/06/19

Version: B

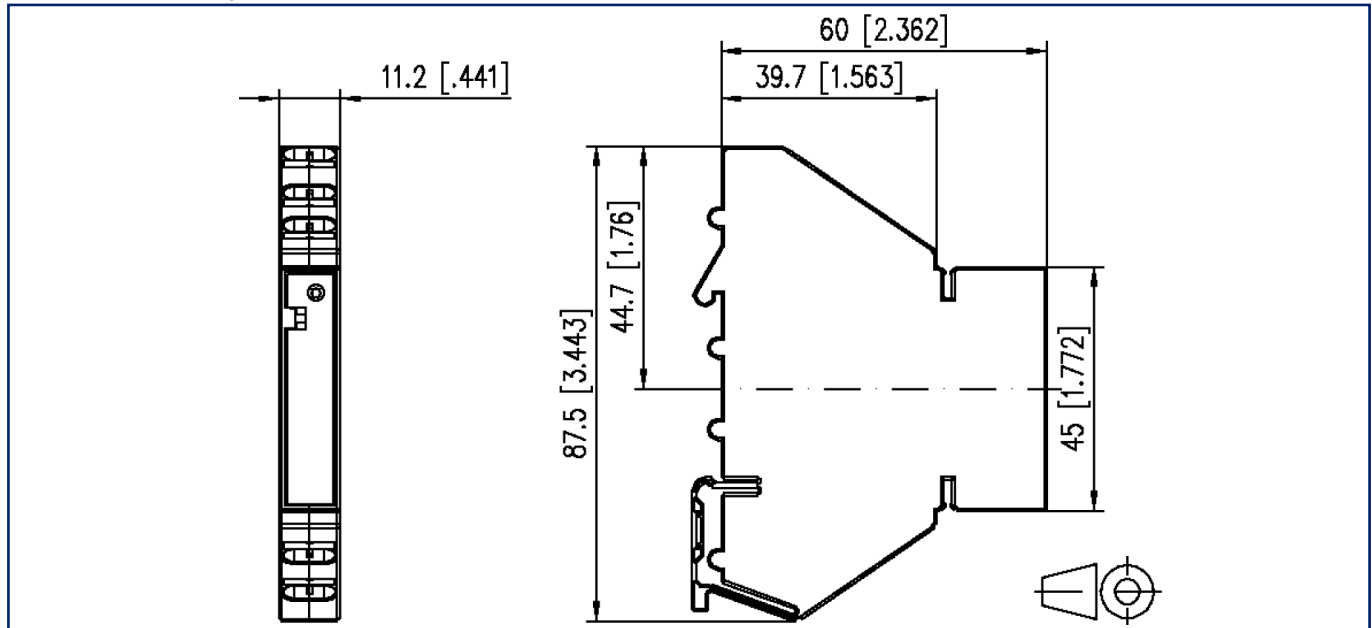
Accessories

P/N	Designation
110728	Connecting bridge, 10 pole
110729	Labeling plate

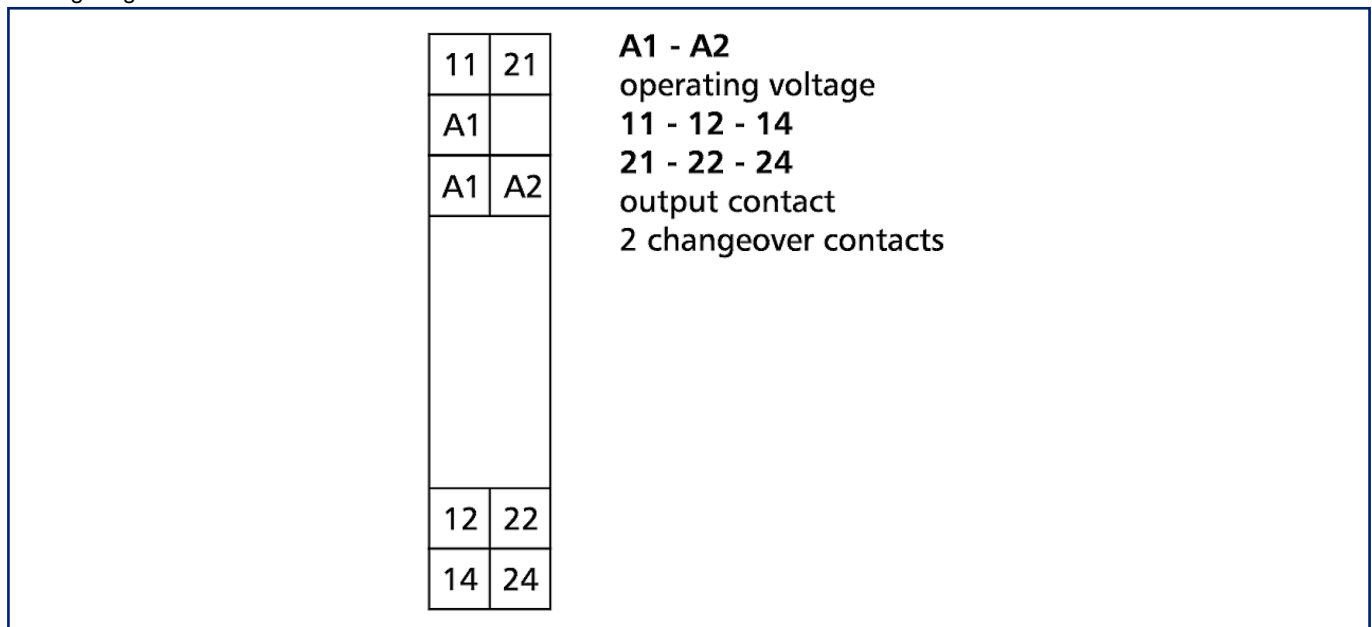


Illustrations

Dimensional drawing



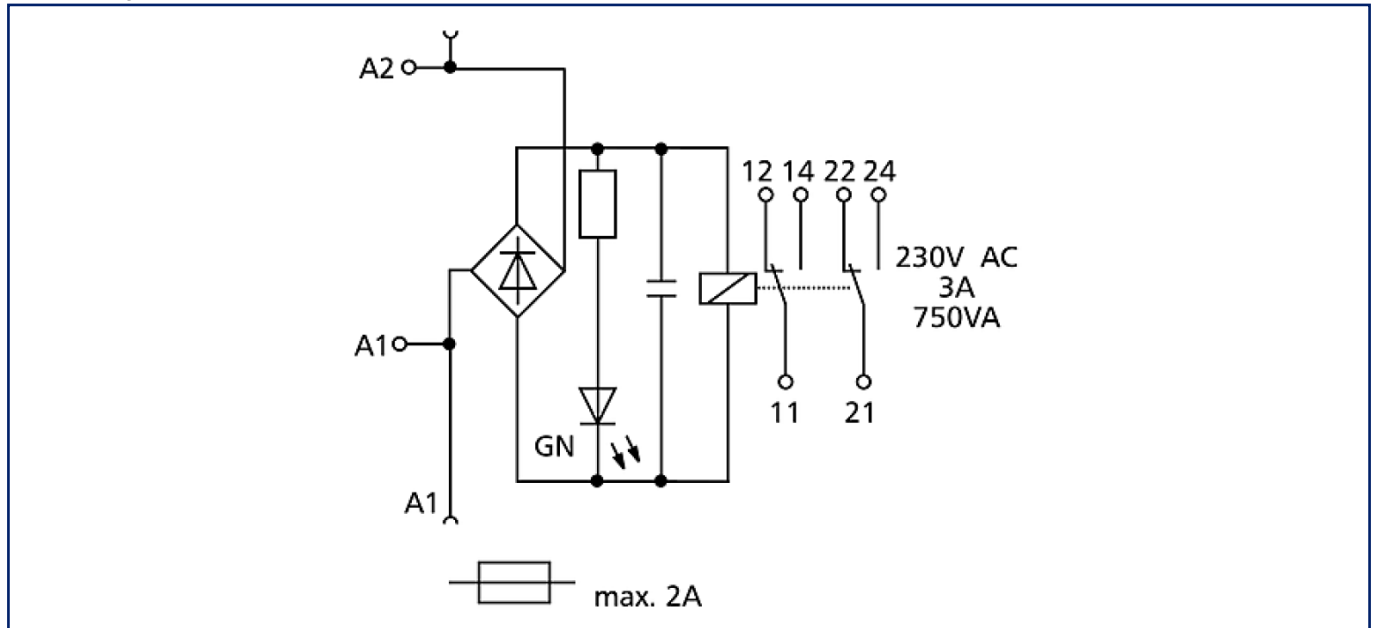
Wiring diagram



© 2023 METZ CONNECT - Technische Änderungen vorbehalten! Subject to modifications! Sous réserve de modifications techniques!

Illustrations

Circuit diagram



© 2023 METZ CONNECT - Technische Änderungen vorbehalten! Subject to modifications! Sous réserve de modifications techniques!