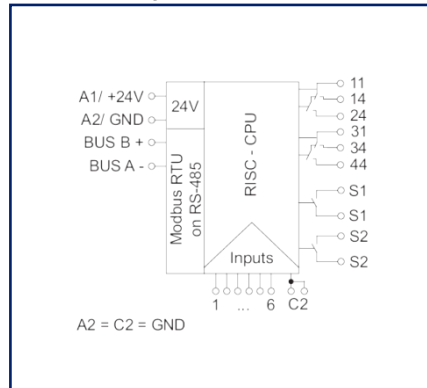


Data sheet MR-TP Modbus RTU

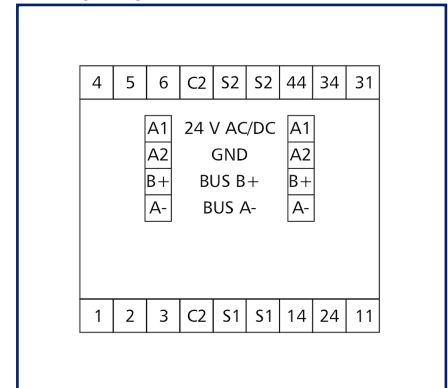
Illustrations



Principle diagram



Wiring diagram



See enlarged drawings at the end of document

Product specification

The Modbus three-point module with 6 digital inputs, 2 two-level relay outputs and 2 digital outputs was developed for decentralized switching tasks. It is suitable for switching, for example, multi-level pumps and fans or louvers. In this case it is necessary to protect the relay contacts by appropriate load-dependent measures. The inputs and outputs can be switched and scanned by means of standard registers via a Modbus master. The input terminals 1 to 6 are wired with the C2 terminals on two poles to potential-free switches or contacts. The module has a manual control for the outputs. Module address, bit rate and parity are set with two rotary switches on the front or by software. Suitable for decentralized mounting on DIN TH35 rail according to IEC 60715 in electrical distribution cabinets.

- Connection with screw type terminal blocks

Technical Data

RS485 interface	
Protocol	Modbus RTU
Address range	00 - 99
Bus interface	RS485 two wire bus with potential equalization in bus or line topology, terminate with 120 Ohm
Transmission parameters	
Transmission rate	min. 1200 Bit/s (Bd) - max. 115200 Bit/s (Bd)
Transmission rate default setting	19200 Bit/s (Bd)
Parity	None, Even (default setting), Odd
Stopbits	1 (default setting), 2
Supply	
Operating voltage	24 V AC/DC +/- 10 % (SELV)
Power consumption	
Power consumption AC (max.)	100 mA
Power consumption DC (max.)	40 mA
Duty cycle relative	100 %
Inputs	
Digital inputs	6, for potential-free contacts
Outputs	
Digital outputs	4
Relay output	
Switching voltage relay output (max.)	250 V AC
Continuous current relay output	6 A / relay
Semiconductor output	
Switching voltage semiconductor output (max.)	40 V AC/DC
Continuous current semiconductor output	100 mA
Switch-on current semiconductor output (max.)	500 mA
Switching frequency	360 switching cycles/h
Mechanical life	30x10 ⁶ switching cycles
Electrical life	9x10 ⁴ switching cycles

Technical Data

Housing	
Dimensions	
Dimension (W x H x D)	50 mm x 69.3 mm x 60 mm
Dimension (W x H x D)	1.969 in. x 2.728 in. x 2.362 in.
Total depth with switch/plug	69 mm
Weight	126 g
Mounting style	Standard rail TH35
Mounting position	any
Apposition	The maximum quantity of Modbus modules connected side-by-side is limited to 15 or to a maximum power consumption of 2 Amps (AC or DC) per connection to the power supply. For any similar block of additional modules a separate connection to the power supply is necessary., without distance
Connection type	Screw type terminal blocks
Indicator	green, red and yellow LED
Terminal blocks	
Supply and bus	
Terminal block	4-pole
Solid wire (AWG)	max. 1.5 mm ² / max. 16 AWG
Stranded wire (AWG)	max. 1 mm ² / max. 18 AWG
Wire diameter	max. 1.4 mm - min. 0.3 mm
Module connection	
Wire cross section solid	0.34 mm ² - 2.5 mm ² / AWG 22-12
Wire cross section multi	0.25 mm ² - 2.5 mm ² / AWG 22-12
Wire cross section with wire ferrule	0.25 mm ² - 2.5 mm ² / AWG 22-12
Screw torque (max.)	0.5 Nm
Stripping length (min.)	8 mm
Protection circuit	Polarity reversal protection for DC operating voltage, Protection against interchanging power supply and bus

Data sheet
MR-TP Modbus RTU

Page 4/8

P/N
11083813

EAN 4250184161004

2023/10/27

Version: J

Technical Data

Material	
Color	gray
Material - Terminal block	Polyamid 6.6 V0
Material - Covers	Polycarbonat
Protection category according to IEC 60529	
Protection category - housing (acc. to IEC 60529)	IP40
Protection category - terminal blocks (acc. to IEC 60529)	IP20
Temperature range	
Operating	
Temperature - Operating °C	-5 °C - 55 °C
Temperature - Operating °F	23 °F - 131 °F
Storage	
Temperature - Storage °C	-20 °C - 70 °C
Temperature - Storage °F	-4 °F - 158 °F
Classifications	
ETIM 7.0	EC001584
ETIM 8.0	EC001584
ETIM 9.0	EC001584
Software and additional documents	
Software and documentation	Further documentation is available for free download at www.metz-connect.com



Accessories

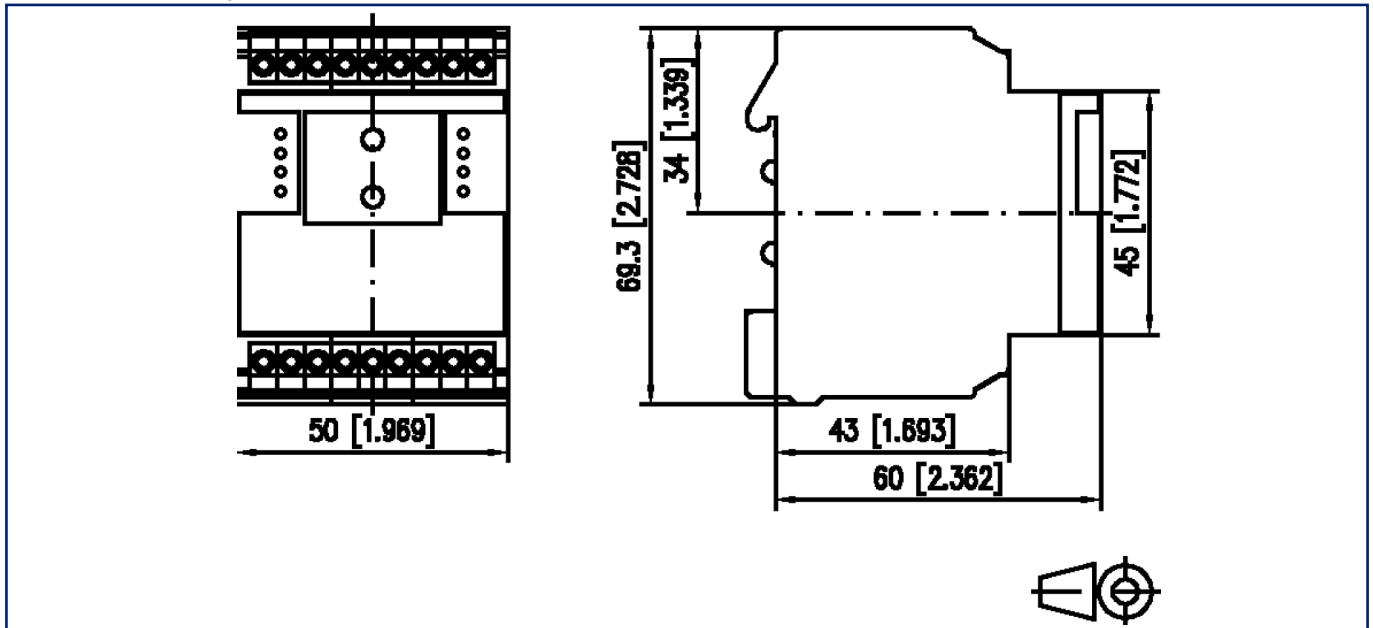
P/N	Designation
110369	Terminal block Type 259
110486	HUB DC
110561	Power supply NG4 24 V DC
31135104	Typ 135 RIACON 135_3.5

Accessories from

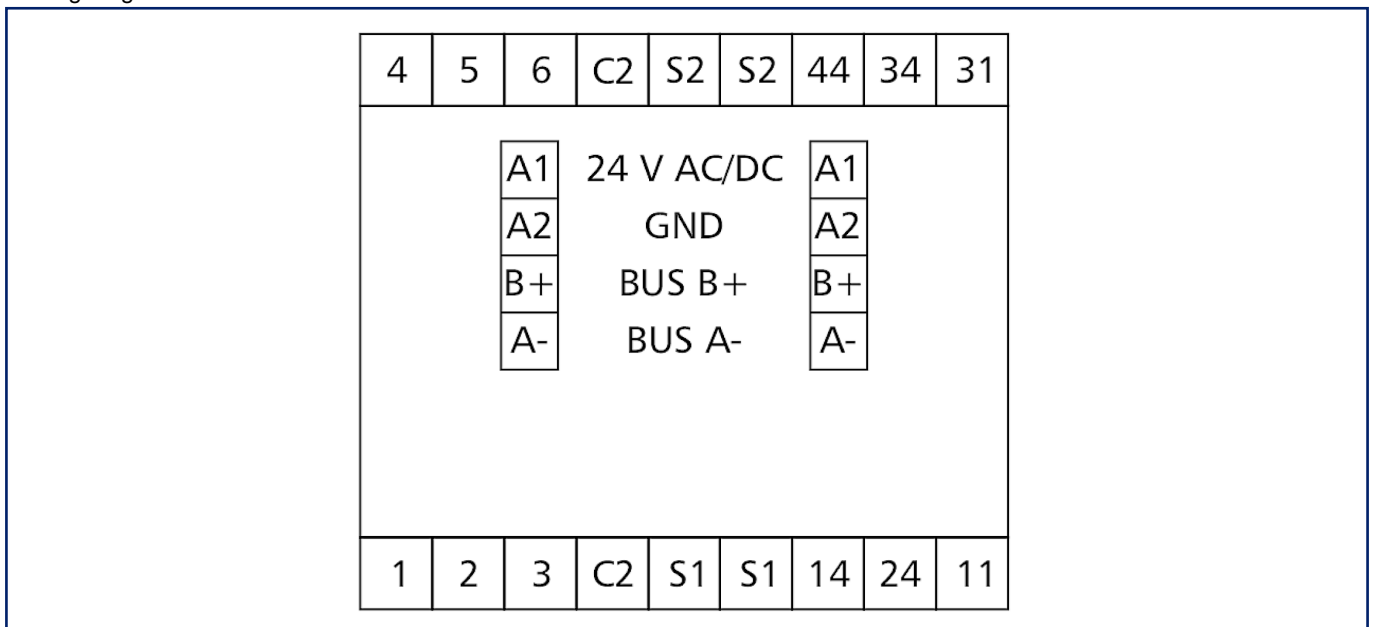
P/N	Designation
11083001	MR-GW Modbus RTU / Modbus TCP Gateway
1108300170	MR-F-GW Modbus RTU / Modbus TCP Gateway

Illustrations

Dimensional drawing

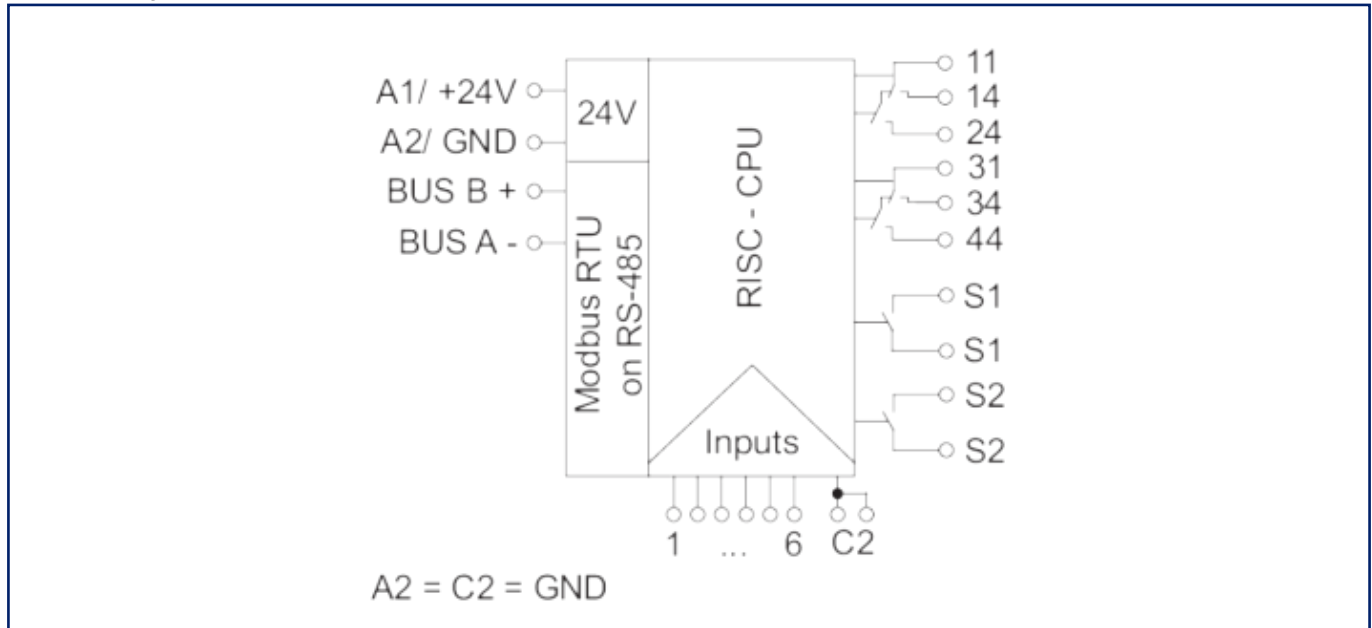


Wiring diagram



Illustrations

Principle diagram



© 2023 METZ CONNECT - Technische Änderungen vorbehalten! Subject to modifications! Sous réserve de modifications techniques!