

Data sheet

Panel feed through adapters M12 X-coded to RJ45 for electrical cabinets - straight

Page 1/7

P/N

MWN811A415

EAN 4250184157441

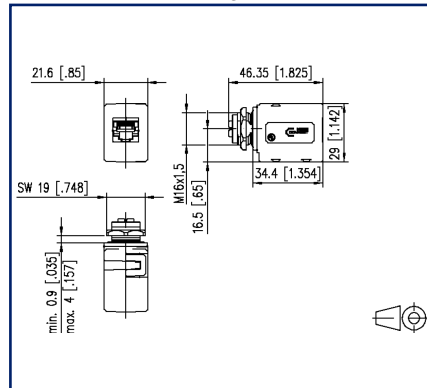
2023/05/30

Version: I

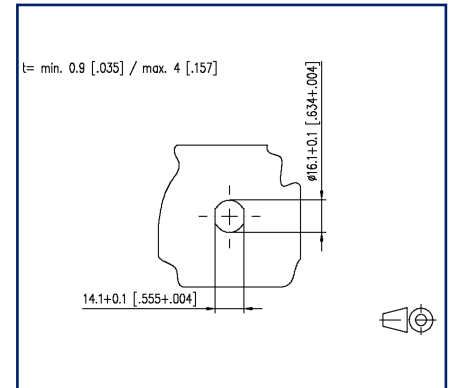
Illustrations



Dimensional drawing



Drill pattern



See enlarged drawings at the end of document

Product specification

- panel feed-through adapter M12 to RJ45 for control cabinets
- M12 jack X-coded, IP67, per IEC/PS 61076-2-109
- RJ45 jack, IP20, per IEC 60603-7-51
- suitable for 10 GBit per IEEE802.3an
- Cat.6_A
- plug-in direction: straight
- solid refined zinc die-cast housing
- suitable for applications in the railway industry according to data sheet



Panel feed through adapters M12 X-coded to RJ45 for electrical cabinets - straight

P/N
MWN811A415
EAN 4250184157441
2023/05/30
Version: I

Technical Data

General Data

Electromagnetic measurement according to MICE	E2
Design	Jack
Mounting style	back side
Shielding	shielded
Transmission technology	Copper
Color	metallike
Dimensions	
Dimension (L x W x H)	46.35 mm x 21.6 mm x 29 mm
Dimension (L x W x H)	1.825 in. x 0.85 in. x 1.142 in.
Labeling option	on housing

Transmission characteristics

Category (ISO)	6 _A
Category (TIA)	6A
Transmission rate up to 10 GBit	IEEE 802.3an

Connections/interfaces

Connector technology interface 1	RJ45-jack
Connector technology interface 2	M12-jack
Coding interface 2	X-coded
Number of ports interface 1	1
Number of ports interface 2	1
Number of equipped ports interface 1	1
Number of ports interface 2 equipped	1
Number of positions/contacts interface 1	8P/8C
Number of positions/contacts interface 2	8
Cable access/outlet	straight M12



P | Cabling

Data sheet

Page 3/7

Panel feed through adapters M12 X-coded to RJ45 for electrical cabinets - straight

P/N
MWN811A415
EAN 4250184157441
2023/05/30
Version: I

Technical Data

Electrical characteristics

Current carrying capacity	0.5 A
Rated voltage	50 V AC / 60 V DC
Insulation resistance	min. 100 MOhm

Materials and material properties

Material - Housing	GD-Zn (zinc die-cast)
Halogen free	yes
Material - Finish	Ni (nickel)
RoHS	compliant

Environmental conditions

Temperature (min. - max.)	
Temperature - Storage °C	-25 °C - 85 °C
Temperature - Storage °F	-13 °F - 185 °F
Temperature - Operating °C	-25 °C - 85 °C
Temperature - Operating °F	-13 °F - 185 °F
Particulate ingress interface 1	IP2X
Liquid ingress/immersion interface 1	IPX0
Particulate ingress interface 2	IP6X when plugged in
Liquid ingress/immersion interface 2	IPX7 when plugged in
Overvoltage category	II
Degree of pollution	2

Approvals

UL listed (file no.)



DUXR.E178484

Standards/Regulations

Application-specific communications cabling systems	
Profinet	yes
Connectors for electronic equipment	
circular connector	DIN EN 61076-2-109:2010-08
Rectangular connectors	IEC 60603-7-51

P | Cabling

Data sheet

Page 4/7

Panel feed through adapters M12 X-coded to RJ45 for electrical cabinets - straight

P/N

MWN811A415

EAN 4250184157441

2023/05/30

Version: I

Technical Data

Standards/Regulations

Railway applications

Electronic equipment used on rolling stock	following to DIN EN 50155
Fire protection on railway vehicles	following to DIN EN 45545-2
Contact holder	Thermoplastic
Sealings	Elastomer
Shock and vibration	DIN EN 50155:2018-05, DIN EN 61373:2011-04 Class 1 Category B
Salt spray	DIN EN 50155:2018-05, (DIN EN 60068-2-11:2000-02/ 48h test KA)

Classifications

ETIM 5.0	EC001134
ETIM 6.0	EC001134
ETIM 7.0	EC001134
ETIM 8.0	EC001134
ETIM 9.0	EC001134

Packing details

Type of packaging 10 pc(s) / box

P | Cabling

Data sheet

Page 5/7

Panel feed through adapters M12 X-coded to RJ45 for electrical cabinets - straight

P/N

MWN811A415

EAN 4250184157441

2023/05/30

Version: I

Accessories

P/N	Designation
700701	M12 screw plug for jacks IP54



P | Cabling

Data sheet

Page 6/7

Panel feed through adapters M12 X-coded to RJ45 for electrical cabinets - straight

P/N

MWN811A415

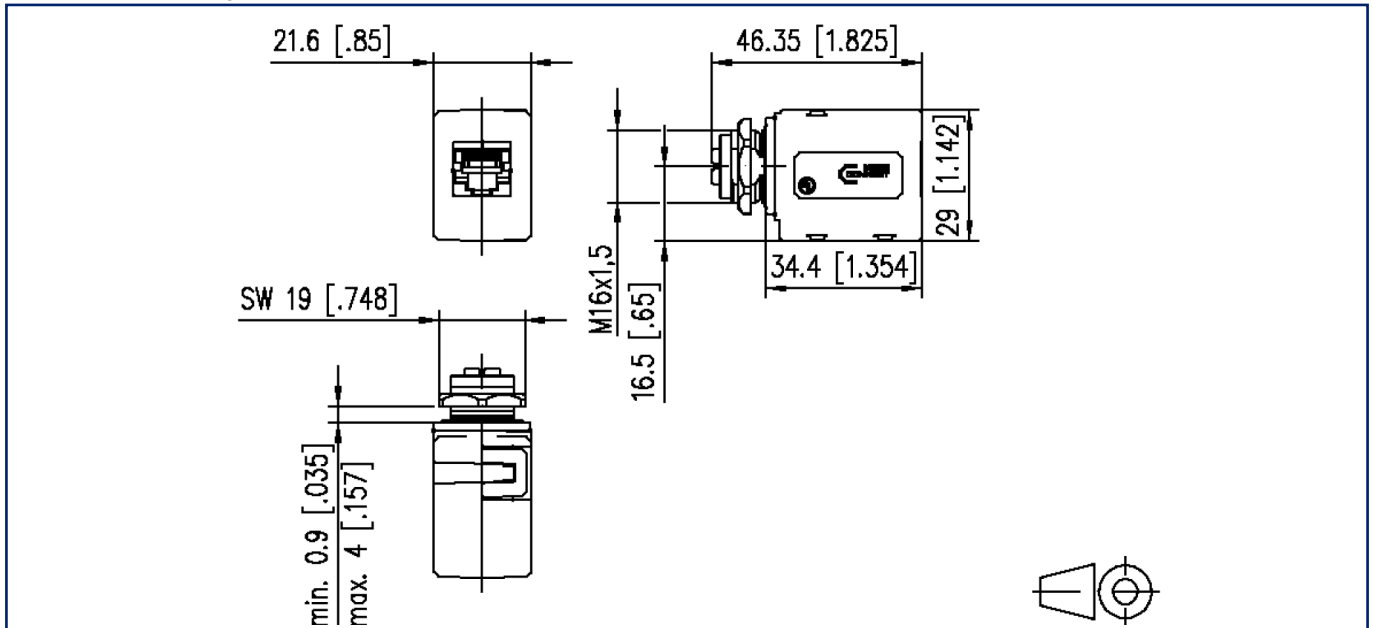
EAN 4250184157441

2023/05/30

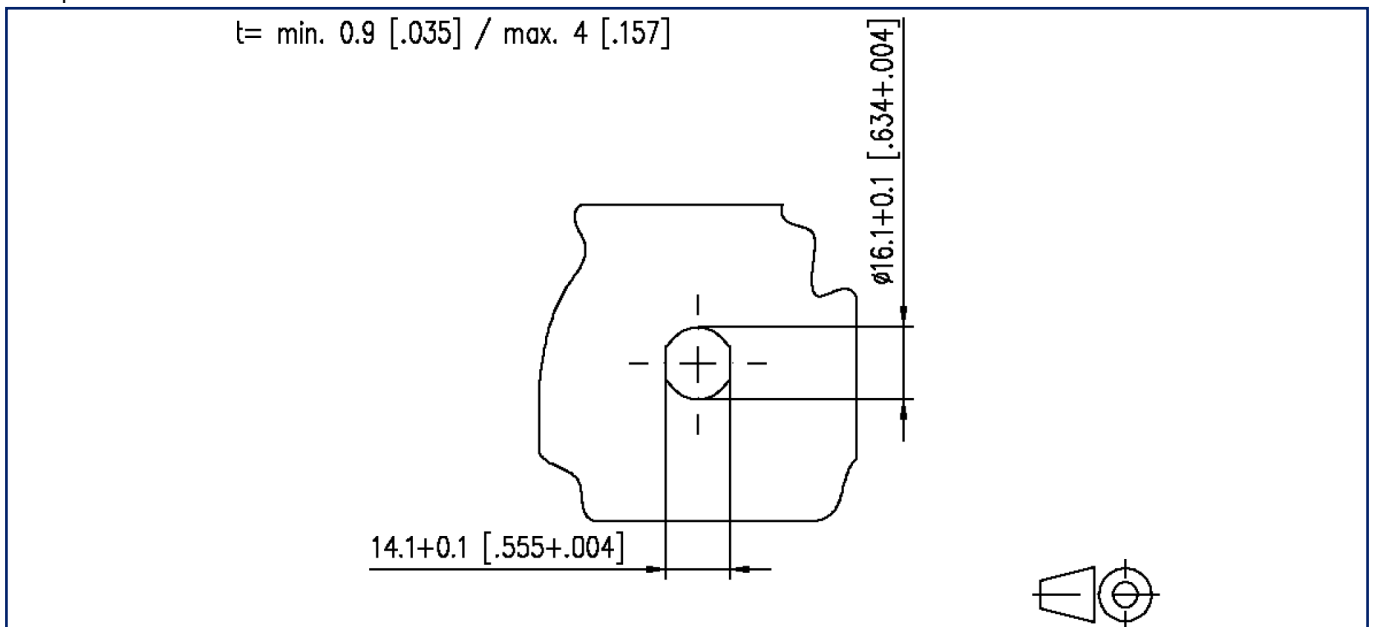
Version: I

Illustrations

Dimensional drawing



Drill pattern



P | Cabling

Data sheet

Page 7/7

Panel feed through adapters M12 X-coded to RJ45 for electrical cabinets - straight

P/N

MWN811A415

EAN 4250184157441

2023/05/30

Version: I

Illustrations

Wiring diagram

