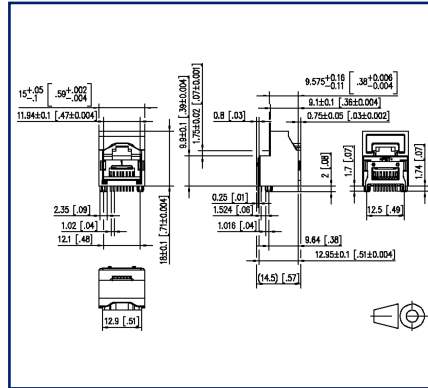


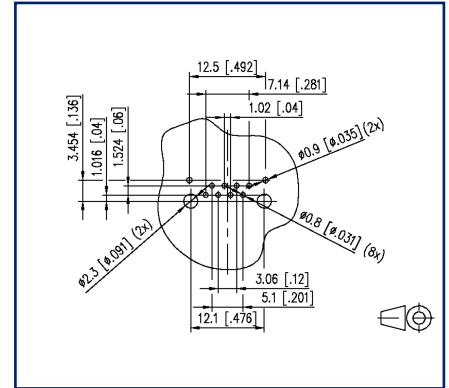
**Illustrations**



Dimensional drawing



Drill pattern



See enlarged drawings at the end of document

**Product specification**

- RJ45 Jack
- Single port
- Side entry
- shielded
- suitable for transmission category C6
- Housing color black
- THT solderable
- suitable for mounting rail housing

## Technical Data

General Data	
Design	RJ45
Ports	Single port
Dimensions	
Dimension (L x W x H)	14.5 mm x 15 mm x 18 mm
Dimension (L x W x H)	0.571 in. x 0.591 in. x 0.709 in.
direction of connection of the cable to PCB	side entry
Mounting style	side entry
Position of latch	top
Number of contacts	8P/8C
Color	black
Shielding	yes
Protection category	IP 20
soldering method	THT
Material	
insulating material	PBT
Insulating material class	CTI 175
Insulation material colour	black
Contact material	CuSn
Contact surface	Ni + Au
Shield material	CuSn
Shield finish material	Sn
Special features	30 µ" Au
Climatic Data	
upper limit temperature	70 °C
lower limit temperature	-40 °C
Electrical characteristics	
Rated voltage	max. 50 V
Contact resistance	max. 20 mOhm
Insulation resistance	min. 500 MOhm
Current carrying capacity at 50 °C	1
Dielectric strength conductor-conductor (primarily)	max. 1000 V DC

# U | Contact

Data sheet  
**AJT0DA, C6 FTP, black**

Page 3/4

P/N  
**AJT0DA8813-5150**

2023/07/04  
 Version: G

## Technical Data

### Electrical characteristics

Dielectric strength conductor-shield	max. 1500 V DC
--------------------------------------	----------------

### Transmission characteristics

HF category	Cat.6
-------------	-------

### Mechanical data

Insertion force	30 N
Life - Number of mating cycles	>= 750

### Standards and approvals

Standards	IEC 60603-7
-----------	-------------

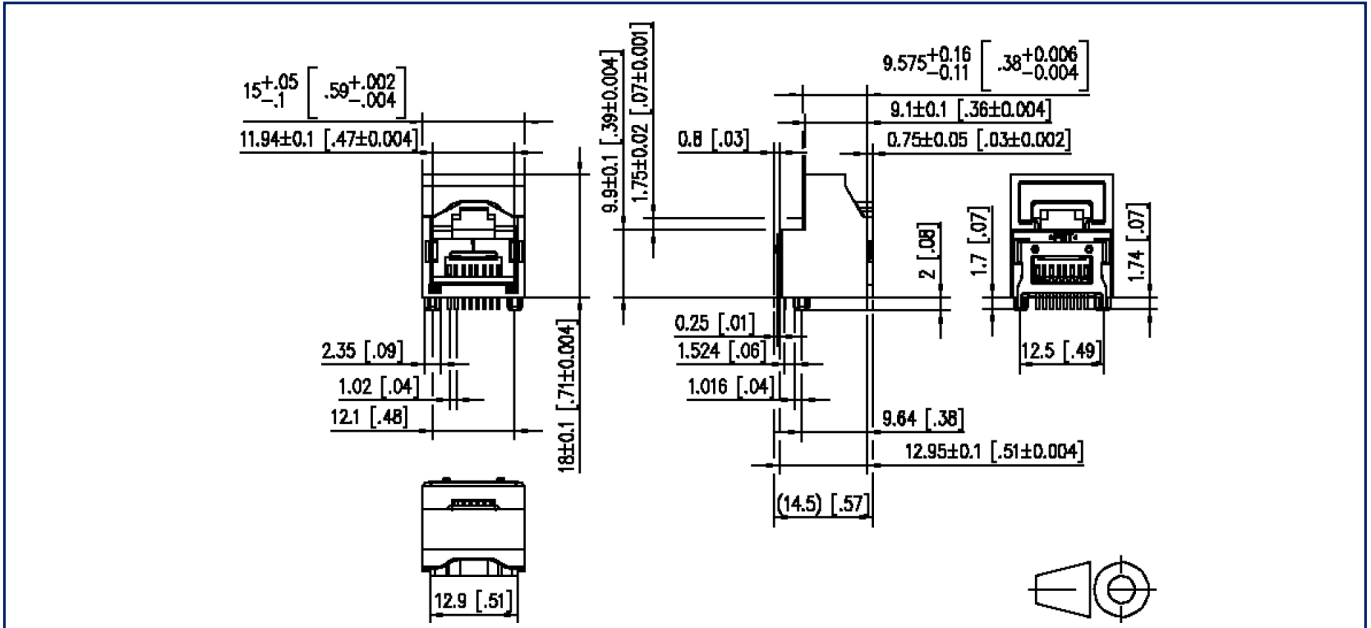
### Classifications

ETIM 5.0	EC002637
ETIM 6.0	EC002637
ETIM 7.0	EC002637
ETIM 8.0	EC002637

© 2023 METZ CONNECT - Technische Änderungen vorbehalten! Subject to modifications! Sous réserve de modifications techniques!

## Illustrations

### Dimensional drawing



### Drill pattern

